



HAL
open science

Development of a CMOS pixel sensor for embedded space dosimeter with low weight and minimal power dissipation

Yang Zhou

► **To cite this version:**

Yang Zhou. Development of a CMOS pixel sensor for embedded space dosimeter with low weight and minimal power dissipation. Micro and nanotechnologies/Microelectronics. Université de Strasbourg, 2014. English. NNT : 2014STRAE021 . tel-01126914

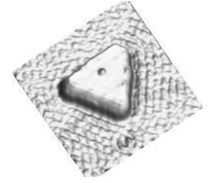
HAL Id: tel-01126914

<https://theses.hal.science/tel-01126914>

Submitted on 6 Mar 2015

HAL is a multi-disciplinary open access archive for the deposit and dissemination of scientific research documents, whether they are published or not. The documents may come from teaching and research institutions in France or abroad, or from public or private research centers.

L'archive ouverte pluridisciplinaire **HAL**, est destinée au dépôt et à la diffusion de documents scientifiques de niveau recherche, publiés ou non, émanant des établissements d'enseignement et de recherche français ou étrangers, des laboratoires publics ou privés.



ÉCOLE DOCTORALE DE PHYSIQUE ET CHIMIE PHYSIQUE
Institut Pluridisciplinaire Hubert Curien (IPHC)

THÈSE présentée par:

Yang ZHOU

soutenue le : 23 Septembre 2014

pour obtenir le grade de : **Docteur de l'Université de Strasbourg**

Discipline: Électronique, Électrotechnique et Automatique

Spécialité: Instrumentation et Microélectronique

**Development of a CMOS pixel sensor for
embedded space dosimeter with low weight
and minimal power dissipation**

Composition du jury:

Directeurs de thèse:	M. Yann HU	Professeur, Université de Strasbourg
	M. Jérôme BAUDOT	Professeur, Université de Strasbourg
Rapporteurs externes:	M. Michel PAINDAVOINE	Professeur, Université de Bourgogne
	M. Martin POHL	Professeur, Université de Genève
Examineurs:	M. Rémi BARBIER	Maître de Conférences, Université de Lyon
	M. Olivier DORVAUX	Maître de Conférences, Université de Strasbourg

Acknowledgements

I am very grateful to my supervisors Prof. Yann Hu and Prof. Jérôme BAUDOT for their support, guidance and encouragement, and for the opportunities provided to me. I would also like to thank China Scholarship Council (CSC) and Prof. Marc Winter, the leader of PICSEL group, for funding my 4 years study in France.

I sincerely appreciate Prof. Jérôme BAUDOT for his guidance and fruitful discussions in the physics part, offering the analysis of the prototype test results, and providing the corrections and suggestions for this manuscript. I would also like to thank Cyril Duverger, a master student in physics, for his contribution in the Monte-Carlo sensor response simulations of this work.

I would like to thank all the colleagues in microelectronics group: Christine Hu-Guo, Claude Colledani, Wojciech Dulinski, Xiaochao Fang, Andrei Dorokhov, Frédéric Morel, Maciej Kachel, Abdelkader Himmi, Yunan Fu, Ying Zhang, Wei Zhao, Tianyang Wang, Isabelle Valin, Hung Pham, Guy Doziere, Christian Illinger and Sylviane Molinet for their suggestions, helps and technical supports during the sensor design.

I owe my gratitude to Kimmo Jaaskelainen for his fully support during the test of the prototype, including the PCB design and test bench set up. I also appreciate Gilles Claus and Mathieu Goffe for their suggestions and helps during the prototype test.

Last but not least, I would like to thank my parents for their unconditional love, support and understanding.

Strasbourg, 09/10/2014

Contents

Table of Contents	i
List of Figures	v
List of Tables.....	ix
Résumé en Français.....	1
Introduction	13
1 Ionization based particle detection	17
1.1 Interactions of particles with matter	18
1.1.1 Interaction of electrons	18
1.1.2 Interaction of protons and ions	20
1.1.3 Interaction of photons.....	22
1.2 Properties of Radiation Detector	23
1.3 Silicon detectors	26
1.3.1 Silicon detector physics.....	26
1.3.2 Radiation damages	30
1.3.3 Single diode detectors	33
1.3.4 Pixelated detectors.....	33
1.4 Conclusion.....	38
2 MAPS for particle tracking detection.....	42
2.1 Specifications for particle tracking.....	42
2.1.1 Physics goals Driven Specifications.....	43
2.1.2 Environment Driven Specifications	43
2.2 MAPS technology	44
2.2.1 Global architecture and fast readout strategy	45
2.2.2 Basic pixel architectures.....	46
2.2.3 Sources of Noise in MAPS.....	48
2.3 MIMOSA 26	51
2.3.1 Pixel.....	52
2.3.2 Analogue to Digital Conversion.....	53
2.3.3 Zero suppression.....	54

2.3.4 Performances	54
2.4 Conclusions	55
3 Space radiation monitoring	58
3.1 The energetic particle environment	58
3.2 Space radiation monitors	60
3.2.1 The Geiger-Mueller tube	61
3.2.2 The Scintillating Fibre Detector (SFD)	61
3.2.3 RadFETs (MOS structures sensitive to ionizing radiation).....	62
3.2.4 The Standard Radiation Environment Monitor (SREM).....	62
3.2.5 Pixel sensors	63
3.3 From measurement requirements to design specifications: simulation methods and results	65
3.3.1 The choice of sensor sensitive area, pixel pitch size and readout speed	65
3.3.2 Simulation of pixel response	67
3.3.3 Complementary Monte-Carlo simulation and estimated performances	81
3.4 Conclusions	84
4 General COMETH architecture	87
4.1 The analogue signal processing.....	87
4.2 Analogue to Digital conversion.....	88
4.2.1 ADC definition	89
4.2.2 ADC Characterization	91
4.2.3 Specifications for the ADC used in COMETH	95
4.3 The embedded digital signal processing.....	96
4.4 Global architecture of COMETH	97
5 Analogue signal processing	100
5.1 Pixel design	100
5.1.1 The CS pre-amplify stage.....	103
5.1.2 The SF stage	106
5.1.3 The global pixel performance.....	107
5.2 Test of the pixel matrix	108
5.2.1 Experimental set-up.....	108
5.2.2 Noise performances	110
5.2.3 Test with the ⁵⁵ Fe source	112

5.2.4 Test with a Beta minus source	114
5.2.5 Test with infrared laser illumination	117
5.3 Conclusion and perspectives	118
6 From analogue to digital	121
6.1 Standard ADC architectures	122
6.1.1 Flash ADC	122
6.1.2 Pipelined ADC	123
6.1.3 Successive approximation ADC	124
6.2 Design of the column ADC for COMETH	125
6.2.1 Global architecture and processing principle	126
6.2.2 Design of the S/H circuit	130
6.2.3 Design of the comparator	134
6.2.4 Layout and estimated power dissipation	140
6.3 Test of the column level ADC	141
6.3.1 Characteristics of a single ADC	141
6.3.2 Characteristics of the 32 columns	142
6.4 Solutions for the ADC performance improvement	144
7 Embedded digital signal processing	148
7.1 Operation principle	148
7.2 The hardware system	151
7.2.1 The temporary memory block	153
7.2.2 The finite state machine_1	154
7.2.3 The cluster data sum block	154
7.2.4 The finite state machine_2	155
7.2.5 The Counter and final output	156
7.2.6 Layout and estimated power dissipation	157
7.3 Reconstruction performances	158
7.3.1 Tricky cluster cases could be reconstructed correctly	159
7.3.2 Tricky cluster cases which lead to reconstruction failures	161
7.3.3 Performances for clusters merging	162
7.4 Conclusions	162
General conclusions	164

Table of contents

Test board schematic for the prototype of COMETH	166
Publications and communications	182
Abstract	183

List of Figures

Figure 1.1: Sketch of electron tracks might appear in material.....	19
Figure 1.2: Mean CSDA range in silicon for electrons (left) and proton (right).....	20
Figure 1.3: Straggling functions in silicon for 500 MeV pions, normalized to unity at the most probable value δx . The width ω is the full width at half maximum.	21
Figure 1.4: Regions where the photoelectric effect, Compton effect and pair production dominate as a function of the photon energy and the atomic number of the absorber.	22
Figure 1.5: Examples of good and poor energy resolutions.....	24
Figure 1.6: Definition of detector resolution.....	24
Figure 1.7: Incoming events recorded with non-paralyzable (a) and paralyzable (b) devices.....	25
Figure 1.8: Approximation of an abrupt p-n junction: space charge density, electric field distribution, and electrostatic potential distribution.	27
Figure 1.9: Electron and hole velocities vs. the electric field strength in silicon.....	29
Figure 1.10: A typical CMOS device with elements of a parasitic thyristor.....	32
Figure 1.11: Typical CCD detectors with three gates for each pixel.	34
Figure 1.12: Illustration of a hybrid pixel detector.....	35
Figure 1.13: Cross section view of a CPS pixel.	36
Figure 2.1: Column parallel readout principle.	45
Figure 2.2: The classical single pixel cell: (a) schematic, (b) timing diagram showing the operation and the signal shape.	46
Figure 2.3: Self-biased pixel cell: (a) schematic, (b) timing diagram showing the operation and the signal shape.....	47
Figure 2.4: Pixel topology with in pixel amplification and CDS.	50
Figure 2.5: Illustration of Random Telegraph Signal (RTS).....	50
Figure 2.6: Pixel output noise distribution at the sensor output.	51
Figure 2.7: MIMOSA 26 block diagram.	52
Figure 2.8: Pixel schematic of MIMOSA 26.....	53
Figure 2.9: Architecture of the column-level discriminator.....	53
Figure 3.1: cross section of radiation belts.....	59
Figure 3.2: Earth's radiation belts as represented by the standard AP8 and AE8 models. The two panels show contour plots of integral proton flux > 10 MeV (left) and integral electron flux > 0.6 MeV (right). Whereas electrons populate the inner and outer zone, protons are only trapped in the inner zone.....	60
Figure 3.3: Picture of SREM flight model and the schema of its two detector head.	63
Figure 3.4: Block diagram (left) and photo (right) of HMRM structure. It features a stack of four CPS (S1 to S4), where S1 and S2 in close proximity.	64

Table of figures

Figure 3.5: relations between speed, accuracy, power, sensitive area and pitch size..... 65

Figure 3.6: Incident proton and electron energy versus their energy loss used to generate e-/h pairs per μm in silicon, the vertical dashed lines indicate energy intervals concerned. 68

Figure 3.7: total energy loss of proton in 14 μm thick silicon with respect to its kinetic energy..... 69

Figure 3.8: Schematic diagram of particle range in the cross section of epitaxial layer. 70

Figure 3.9: Simulation result of signal over pixels for a typical situation: particles hit in junction region of four adjacent pixels at normal incidence. 71

Figure 3.10: Simulation result of signal over pixels for a typical situation: particles hit in the center of a pixel at normal incidence. 72

Figure 3.11: sensor responses for various particles with respect to number of pixels fired (threshold 200 e-) and totally number of e- collected from fired pixels. For each kind of particle, there are 3 points represent 3 incident situations on behalf of hit position or angular effects. Two of them are normal incident with different position relative to the sensing diode, another is $\theta=80^\circ$ as illustrated in figure 3.8. 74

Figure 3.12: Total e- generated by various particles with respect to the number of pixels with collected charges higher than 200 e-..... 75

Figure 3.13: Total e- generated by various particles with respect to sum of 3-bit ADC counts for all the pixels in a cluster (a) and its sub-region (b). 76

Figure 3.14: Total e- generated by various particles with respect to sum of 4-bit ADC counts for all the pixels in a cluster (a) and its sub-region (b). 77

Figure 3.15 : An example for the basic operation principle of the digital processing..... 80

Figure 3.16: Monte-Carlo simulation results of energy loss in the sensor's sensitive area versus particle incident energy. 81

Figure 3.17: Monte-Carlo simulation results of incident particle energy versus triggered cluster ADC counts. 82

Figure 3.18: Reconstructed energy versus deposited energy. 83

Figure 3.19: Number of clusters reconstructed per frame versus number of particles effectively impinging the sensor..... 83

Figure 4.1: Analogue signal processing architecture of COMETH. 88

Figure 4.2: ADC description. 89

Figure 4.3: Typical transfer curve of an N-bit ADC. 90

Figure 4.4: Comparator Circuit and Transfer Function..... 90

Figure 4.5: Offset and gain error of an N-bit ADC. It is assumed that all other errors are not presented... 92

Figure 4.6: Example Transfer Characteristic of an N-bit ADC Showing DNL and INL..... 93

Figure 4.7: Emulated COMETH 3-bit digitized response of one frame..... 97

Figure 4.8: Global architecture of COMETH (a) and the layout (3.5 mm \times 4 mm) of the first reduced scale prototype (b)..... 98

Figure 5.1 : (a) Schematic of the pixel and, (b) related timing..... 101

Figure 5.2: Common source amplifier stage used inside the pixel..... 103

Figure 5.3: Static characteristics of the CS stage under different W/L values of M1. 105

Table of figures

Figure 5.4: Static characteristics of the CS stage with W/L ratio of M1 equals to $0.55\mu\text{m}/12\mu\text{m}$	105
Figure 5.5: Gain and input-output voltage characteristic of the SF stage.	106
Figure 5.6: Simulation of the in-pixel offset cancellation operation.....	107
Figure 5.7: Set-up for laboratory test.	109
Figure 5.8: Distribution of pedestal values (a) and temper noise (b) for the sub-array with 8×32 pixels.	112
Figure 5.9: Noise of a normal pixel (a), and a noisy pixel with RTS noise (b).....	112
Figure 5.10: Collected charge distribution observed with a ^{55}Fe source. Fig. (a) shows the entire distribution while Fig. (b) displays a zoom on the calibration peak.....	113
Figure 5.11: Cluster collected charge with the ^{55}Fe source: 3×3 pixels (a) and 5×5 pixels (b). The lines represent gaussian fits to estimate the MPV of the distribution.	114
Figure 5.12: Seed pixel collected charge with a ^{90}Sr β^- source.	114
Figure 5.13: Percentage of pixels with charge $> 120 e^-$ with a ^{90}Sr β^- source (a) and cluster multiplicity with charge $> 120 e^-$ (b).	115
Figure 5.14: Accumulated charge with different number of pixels in a cluster.	116
Figure 5.15: SNR of the seed pixel to electrons.	117
Figure 5.16: Evolution of the pixel response to a linear increase of the laser illumination, for three different laser currents. The laser illumination amplitude depends linearly on the number of laser pluses shot during one sensor frame.....	118
Figure 5.17: layout of a single pixel.....	119
Figure 6.1: ADC architecture vs Resolution and sampling rate.	121
Figure 6.2: Architecture of an N-bit flash ADC.....	122
Figure 6.3: Block Diagram of a Typical Pipelined ADC.	123
Figure 6.4: Basic architecture of an N-bit successive approximation ADC.....	124
Figure 6.5: Example of the searching process of a 4-bit SAR conversion. The digital output is 0101.....	125
Figure 6.6: Expected transfer function of the 3-bit ADC in COMETH.	126
Figure 6.7: Global architecture of the column 3-bit SAR ADC for COMETH.	127
Figure 6.8: Timing diagram for the column 3-bit SAR ADC.	128
Figure 6.9: Equivalent ADC circuit during the SET phase.	128
Figure 6.10: Equivalent ADC circuit for the threshold comparison.....	129
Figure 6.11: Equivalent ADC circuit for the conversion of the MSB.	129
Figure 6.12: Sampling structure: (a) parallel sampling, (b) series sampling.....	130
Figure 6.13: Schematic of the S/H circuit.	131
Figure 6.14: Timing diagram of the S/H circuit.	132
Figure 6.15: Schematic of the unit gain buffer (a); its transient response (b) and static response (c).....	133
Figure 6.16: Column level offset cancellation simulation results.	134
Figure 6.17: Typical comparator architecture.	135
Figure 6.18: Input offset storage architecture.....	135
Figure 6.19: Output offset storage architecture.	136
Figure 6.20: The architecture (a) and its operation timing (b).	138
Figure 6.21: schematic of the preamplifier used in the comparator.	138

Table of figures

Figure 6.22: Schematic of the dynamic latch. 139

Figure 6.23: layout of the column-level ADC. 141

Figure 6.24: Transfer functions of ADC31 and the expected ideal one. 141

Figure 6.25: DNL (a) and INL (b) characteristics of ADC31. 142

Figure 6.26: Transfer functions of the 32 column ADCs (enlarged LSB value). 142

Figure 6.27: Column dispersion of the first bit: (a) zoom of the 1st bit; (b) fixed pattern noise. 143

Figure 6.28: Overview of the ADC designed for the HMRM ASIC. An 8-bit trimming DAC compensates the comparator offset. 144

Figure 6.29: Results with compensation: (a) transfer functions of 32 columns; (b) noise of the first bit. 145

Figure 6.30: The column ADC architecture with Switched-DAC for comparator references. 145

Figure 7.1: Principle of the clusterization and summation. 149

Figure 7.2: the digital processing hardware system. 152

Figure 7.3: Timing for the digital processing system (not scaled). 153

Figure 7.4: interface of the temporary memory block. 153

Figure 7.5: interface of the Finite state machine_1. 154

Figure 7.6: column cell interfaces of the cluster data sum block. 155

Figure 7.7: Architecture of the “Sum Core”. 156

Figure 7.8: basic cell of finite state machine_2. 156

Figure 7.9: the interface of the counter. 157

Figure 7.10: Physical layout of the digital processing stage. 158

Figure 7.11: Examples of “dead” pixels in the middle of the cluster first row. 159

Figure 7.12: Examples of “dead” pixels in the middle of the cluster edge columns. 160

Figure 7.13: Examples of “dead” pixels in the center or last row of a cluster. 160

Figure 7.14: Examples of some two adjacent “Dead” pixels cases. 160

Figure 7.15: Reconstruction failure examples of two adjacent “dead” pixels in the center of a cluster. .. 161

Figure 7.16: Reconstruction failure examples of two adjacent “dead” pixels. 161

Figure 7.17: Reconstruction examples of two cluster merging. 162

Figure A.1: Schematic of the proximate test board of the prototype of COMETH. 170

Figure A.2: Schematic of the auxiliary test board of the prototype of COMETH. 181

List of Tables

Table 2.1: Performance of MIMOSA 26.....	54
Table 3.1: probability of hits pile-up with respect to sensor operation speed and cluster size.....	66
Table 3.2: Simulated mean values of total number of e- generated in the epitaxy layer by several particles at normal incidence; and the numbers for these percentages relative to Figure 3.5. E and P represent electrons and protons respectively; all the numbers in this table have a unit of e-.	72
Table 3.3: Simulated mean values of total number of e- generated in the epitaxy layer by several particles at normal incidence; and the numbers for these percentages relative to Figure 3.6. E and P represent electrons and protons respectively; all the numbers in this table have a unit of e-.	73
Table 7.1: Estimated power dissipation of each functional cell and the whole digital processing stage. .	158

Résumé en Français

Ce travail de thèse cherche à étendre le domaine d'application des capteurs à pixels CMOS (CPS) dont l'état de l'art est donné par les développements menés dans le groupe PICSEL de l'IPHC. L'objectif est de concevoir un capteur pour la dosimétrie des particules ionisantes dans l'espace, qui présente les mêmes performances que les compteurs actuels, mais avec une dissipation de puissance réduite d'un ordre de grandeur, qu'un poids, un volume d'encombrement et un coût moindres. Le caractère monolithique des CPS les place comme candidats pour un tel système compact embarqué sur satellite.

L'orbite terrestre est un environnement composé d'une grande variété de particules chargées énergétiques dominée par les protons et les électrons [1, 2]. Leur flux total omnidirectionnel peut atteindre 10^7 Part./cm²/s, et couvre des énergies de plusieurs ordres de grandeur (allant de 0.1 MeV à 400 MeV pour les électrons et de 0.1 MeV à 7 MeV pour les protons). L'interaction de ces particules avec les instruments de bord provoque des dégradations par effet cumulatif ou individuel (single event effect) des dispositifs électroniques. Ces effets conduisent à des dysfonctionnements, réduisent la longueur des missions et peuvent induire la destruction du satellite. Par ailleurs, les missions habitées engendrent des besoins en sécurité encore plus importants.

Les données fournies par les dosimètres permettent de déterminer les risques et de corréler les effets des radiations à l'environnement. Il en résulte une amélioration de la préparation des missions, des recommandations) pour la conception des engins spatiaux et la possibilité d' alertes en temps réel.

Actuellement, les dosimètres peuvent se répartir en deux catégories: les instruments scientifiques et les instruments de support. Les premiers favorisent la précision scientifique et peuvent atteindre un poids et une consommation relativement importants (supérieurs à 1kg et 1W). Au contraire, les seconds présentent des fonctionnalités limitées, avec peu ou sans capacité de discrimination des particules. Dans la mesure où les dommages ionisants dépendent fortement du type et de l'énergie des particules, la discrimination offrirait une amélioration substantielle de ces dispositifs. Par conséquent le développement d'un dosimètre précis mais d'une faible empreinte ouvrirait de nouvelles perspectives pour la dosimétrie spatiale.

Les informations diffusées par l'agence spatiale européenne (ESA) permettent de dégager les spécifications suivantes pour un dosimètre ou compteur embarqué de radiation:

1. petit volume (de l'ordre de 1 cm³), faible poids (environ 20g), faible puissance dissipée (inférieure à 200 mW);
2. capacité à estimer l'énergie des particules primaires dont le flux est mesuré ;

3. une gamme dynamique choisie afin de maximiser la différenciation des particules primaires sur la toute la gamme d'énergie attendue dans l'orbite terrestre ;
4. information de dose reçue en temps réel ;
5. taux mesurable de particules correspondant à un flux omnidirectionnel intégré de $10^7 \cdot \text{cm}^{-2} \cdot \text{s}^{-1}$;
6. identification de l'espèce des particules détectées ;
7. radio-tolérance pour une dose totale ionisante d'au moins 100 kRad (1 kGy).

Les capteurs à pixels CMOS représentent le candidat le plus prometteur pour répondre à ces spécifications, grâce notamment aux avantages suivants vis-à-vis des technologies concurrentes.

1. L'intégration de l'électronique de conditionnement analogique et numérique du signal au sein du même circuit contenant la couche sensible de pixels, favorise une petite taille et permet de réduire la puissance consommée.
2. Les développements de CPS pour les applications auprès des collisionneurs de particules, ont montré comment atteindre un bruit équivalent à une charge aux alentours de 10 électrons par pixel, en tirant parti de la petite taille du nœud de collection des charges, qui entraîne un faible courant de fuite et une petite capacité. Par ailleurs, en prenant en compte l'épaisseur de la couche sensible, entre 15 et 20 μm , le signal le plus faible attendu est de l'ordre de quelques centaines d'électrons. Le rapport signal-à-bruit correspondant dépasse donc 20 et assure une excellente sensibilité aux particules à détecter.
3. La génération et la collection des charges s'effectuent dans une couche sensible continue, la pixellisation étant réalisée à un niveau supérieur au sein de la couche électronique. Le dispositif ne présente donc pas de zone insensible, c'est à dire un *fill factor* de 100%.
4. L'épaisseur totale du capteur peut être diminuée jusqu'à 50 μm par des processus industriels simples et peu coûteux. Le capteur est alors une feuille mince dont l'intégration dans un système de détection, éventuellement à plusieurs capteurs, devient très simple et peu encombrante.
5. Les technologies CMOS profondément submicroniques utilisées actuellement pour la fabrication des capteur à pixels, assurent une radio-tolérance, pour les structures classiques, qui dépasse aisément 100 kRad. Les développements des capteurs à pixels CMOS ont par ailleurs démontré que, dans ces technologies, le système de collection des charges tolérait également des doses bien au delà de 100 kRad ainsi que des fluences de particules non-ionisantes au-delà de $10^{12} n_{\text{eq}}/\text{cm}^2$.

A cause de ces avantages, le projet HMRM (Highly Miniaturized Radiation Monitor) des laboratoires RAL du STFC et Imperial college, soutenu par l'ESA, s'appuie sur un imageur CMOS [3]. Mais il ne s'agit pas de la conception d'un capteur dédié à l'application, contrairement aux ambitions de cette thèse.

Les travaux du groupe PICSEL de l'IPHC se sont essentiellement attachés à démontrer et explorer les capacités des CPS pour la trajectométrie des particules chargées. La série des prototypes de capteur MIMOSA, conçus et faits fabriquer par le groupe, a permis d'améliorer suffisamment leurs performances pour représenter l'état-de-l'art actuel des CPS pour cette application. Le capteur MIMOSA 26 en est l'illustration, il est le premier capteur de grande taille (2 cm^2 de surface active) rapide (10 000 trames par seconde) incorporant un traitement du signal permettant la réduction des données [4]. La figure 1 en donne un schéma fonctionnel.

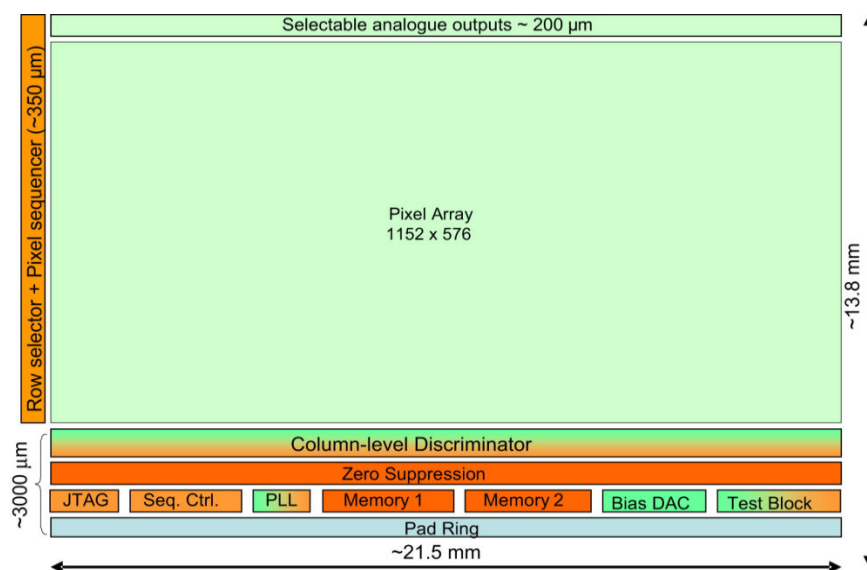


Figure 1: digramme fonctionnel du capteur MIMOSA 26.

Fabriqué en technologie AMS $0.35 \mu\text{m}$, MIMOSA 26 comprend une matrice de pixels de taille $18.4 \times 18.4 \mu\text{m}^2$, offrant une résolution spatiale meilleur que $4 \mu\text{m}$. Avec 576 rangées et 1152 colonnes, la surface active atteint 224 mm^2 . Le cheminement des signaux se résume en trois étapes principales. Chaque pixel intègre une pré-amplification et un double échantillonnage corrélé. Les colonnes se terminent chacune par un comparateur qui numérise le signal sur 1 bit. Enfin les signaux binaires sont filtrés par un algorithme de suppression des zéro qui réduit les données aux seules adresses des pixels touchés. Le circuit opère selon une lecture en volet roulant où tous les pixels d'une rangée sont traités simultanément. L'ensemble de ces fonctionnalités permet d'atteindre une fréquence élevée de lecture continue de 10 000 images par seconde pour une puissance dissipée de l'ordre de 300 mW/cm^2 . Par ailleurs, la radiotolérance du circuit correspond à des performances inchangées jusqu'à une dose ionisante totale de 3 kGy.

Cependant les capteurs conçus pour la physique des hautes-énergies ne répondent pas directement aux spécifications du comptage de particules embarqué. Les différences d'objectifs et d'environnement justifient une stratégie de conception particulière pour la dosimétrie spatiale.

En premier lieu, notons que le traitement analogique obéit à des contraintes différentes pour les deux applications, du fait des domaines d'énergies concernées. La trajectométrie des particules au

minimum d'ionisation requiert des circuits analogiques avec un gain important et un bruit faible. Les particules de l'environnement spatial couvre un spectre en énergie beaucoup plus important ; et les énergies déposées correspondantes couvrent plusieurs ordres de grandeur. Par conséquent le traitement analogique du dosimètre spatial doit réaliser un compromis entre gain et limite de saturation. Une autre contrainte provient du flux élevé, qui, combiné aux signaux de grande amplitude, nécessite une stratégie de remise à zéro de la diode de collection des charges très efficace. Enfin la linéarité sur une grande dynamique exige une numérisation sur plus d'un bit.

Les critères de numérisation diffèrent également entre les deux applications. Le dosimètre ne cherche pas à localiser les particules mais à les distinguer afin de les compter. La dose est estimée avec la somme des énergies mesurées. Pour cette raison, la numérisation doit disposer de plusieurs bits, là où la localisation peut se satisfaire d'un seul et donc d'un simple comparateur.

Enfin, la gestion finale des données numérisées poursuit une logique totalement différente. Pour la trajectométrie, l'objectif consiste à réduire la quantité d'information à transmettre, la stratégie consiste à ne sortir du circuit que les positions des quelques pixels touchés. Les positions sont reconstruites grâce à des algorithmes exploités sur des processeurs externes au circuit. Pour un système embarqué sur satellite, de telles ressources ne sont pas disponibles. Le traitement final intégré au circuit doit donc délivrer des informations de haut niveau directement exploitables en termes de dosimétrie.

Au final, les trois caractéristiques principales d'un capteur à pixels CMOS adapté à la mesure des radiations dans l'espace sont : une amplification analogique avec un gain modéré et une linéarité sur une large gamme dynamique ; un convertisseur analogique-numérique de quelques bits; et un traitement numérique qui incorpore un algorithme de calcul de dose.

Si des éléments analogiques existant répondent déjà aux critères édictés, le défi premier de cette thèse consiste à démontrer que leur intégration dans un capteur ne dégrade pas le bruit de ce dernier et permet ainsi de préserver la sensibilité aux particules à détecter. La seconde difficulté correspond à l'intégration d'un algorithme complexe au sein du circuit afin de le convertir en un véritable dosimètre autonome.

Résumé des travaux

Les travaux effectués comprennent à la fois les études de définition des paramètres d'un capteur CMOS complet répondant aux besoins de l'application ainsi que la réalisation et le test d'un prototype. Ce premier capteur prototype, fabriqué dans une technologie CMOS 0.35 μm , ne comprend pas la partie finale du traitement des informations des pixels permettant le calcul du flux de particules en fonction de leur énergie et de leur nature. Cependant, cet algorithme a été entièrement synthétisé et tester par simulation.

Partie 1: Etude du concept

Les deux contraintes principales sur les paramètres du compteur proviennent du flux des particules et de la forme des impacts de celle-ci sur la matrice de pixels. Par ailleurs, la nécessité de limiter la taille du circuit et sa consommation de puissance plaide pour un faible nombre de pixels. L'optimisation obtenue correspond à une surface sensible de 10 mm^2 , comprenant une matrice de pixels de $50 \mu\text{m}$ de pas. Avec un temps de lecture de $20 \mu\text{s}$, il est possible à la fois de distinguer individuellement les impacts pour le flux le plus important de $10^7/\text{cm}^2/\text{s}$ avec une erreur marginale (1%) et de mesurer en 1 seconde le flux le plus faible de $10^3/\text{cm}^2/\text{s}$ avec une incertitude de 10%.

Une simulation détaillée permet de vérifier que les paramètres ci-dessous répondent aux spécifications. Elle comprend les quatre étapes suivantes.

- 1) L'énergie des particules traversant le compteur est déterminée par le logiciel GEANT4 sur la base d'une simulation MonteCarlo. La figure 2 illustre l'écart entre les distributions pour les électrons et les protons et indique la possibilité de distinguer ces deux types de particules jusqu'à une énergie de 50 MeV, sur la base de l'énergie déposée par chaque impact.
- 2) Un model paramétrique de la réponse des CPS, couplé à un tirage aléatoire, permet de convertir l'énergie déposée en un signal sur chaque pixel de la matrice.
- 3) Le signal de chaque pixel est numérisé sur 3 bits pour reproduire l'effet du convertisseur analogique-numérique au sein du capteur.
- 4) Les informations de tous les pixels d'une ligne sont traités simultanément par un algorithme qui reconnaît les amas de pixels adjacents générés par l'impact des particules. L'algorithme calcule en sortie la somme des signaux obtenus sur chaque pixel de l'amas. Sa logique correspond à un traitement séquentiel, qui peut être implémenté directement dans le capteur.

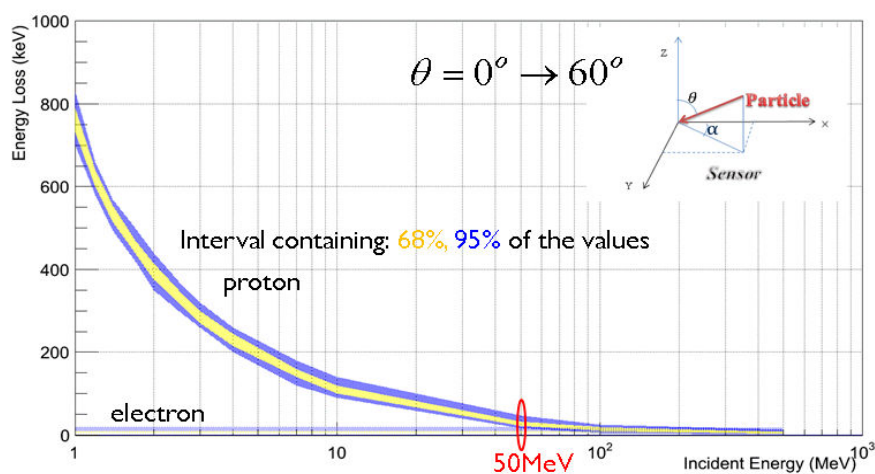


Figure 2: Distribution de l'énergie déposée dans le compteur, obtenue par simulation, en fonction de l'énergie incidente des particules.

Les résultats finals de la simulation complète sont représentés par la figure 3. Pour chaque trame de lecture du capteur, jusqu'à 20 (correspondant au flux maximum) particules impactent la matrice de pixel, avec une distribution d'énergie incidente variant de 1 à 100 MeV. La figure montre que l'énergie déposée peut-être reconstruite avec une résolution d'environ 10%, suffisante pour l'application visée. Par ailleurs, il apparaît que le comptage des particules est parfaitement assuré jusqu'à une multiplicité de 16 impacts simultanés. Au delà, un effet de saturation apparaît lié à la superposition des amas de pixels.

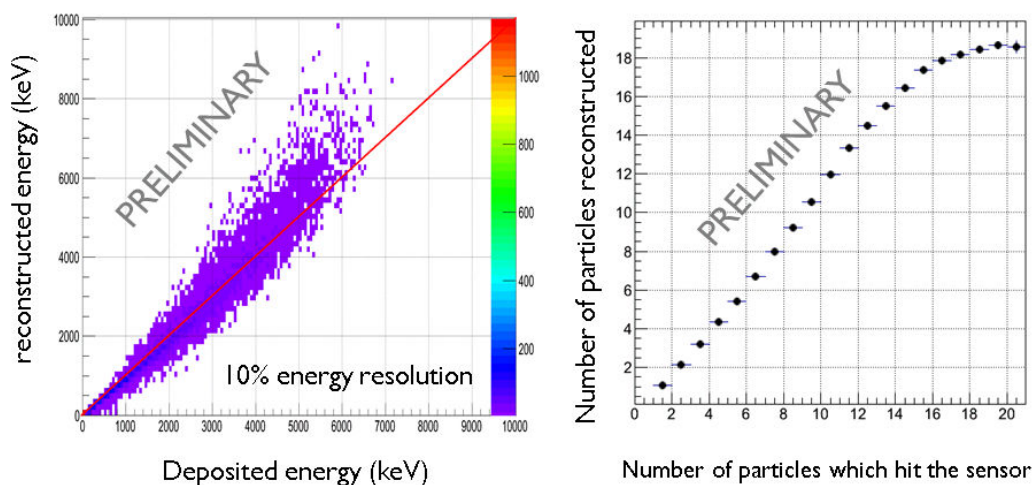


Figure 3: Simulation des performances de mesure de l'énergie déposée et de comptage du capteur proposé. A gauche : distribution de l'énergie reconstruite en fonction de l'énergie effectivement déposée. A droite : nombre de particules identifiées en fonction du nombre de particules ayant effectivement impactées le capteur.

Partie 2: Conception et test du prototype

Le prototype cherche à valider le concept déterminé par l'étude en simulation. Il reprend les caractéristiques exactes des pixels mais sur une surface plus faible $1.6 \times 1.6 \text{ mm}^2$ correspondant à une matrice de 32×32 pixels. Chaque pixel comprend un étage de pré-amplification et réalise le double échantillonnage corrélé permettant de fournir une valeur directement exploitable. La matrice est lue selon un mode en volet-roulant, ligne-à-ligne, en un temps inférieur à $20 \mu\text{s}$ qui correspond également au temps d'intégration du signal. Chaque colonne se termine par un convertisseur analogique-numérique réalisant une conversion sur 3 bits toutes les 240 ns (temps de lecture d'une ligne de la matrice).

L'algorithme numérique de traitement des données n'est pas inclus dans le prototype. Ce type de circuiterie purement numérique est facilement testable grâce aux logiciels de simulation fournis avec les outils (CADENCE) de dessin assisté par ordinateur permettant de concevoir les circuits CMOS.

Le prototype a été entièrement dessiné sous CADENCE, et ses performances électriques ont été validé d'abord par simulation avec le même outil. Le capteur a été fabriqué en 2012 et testé en 2013.

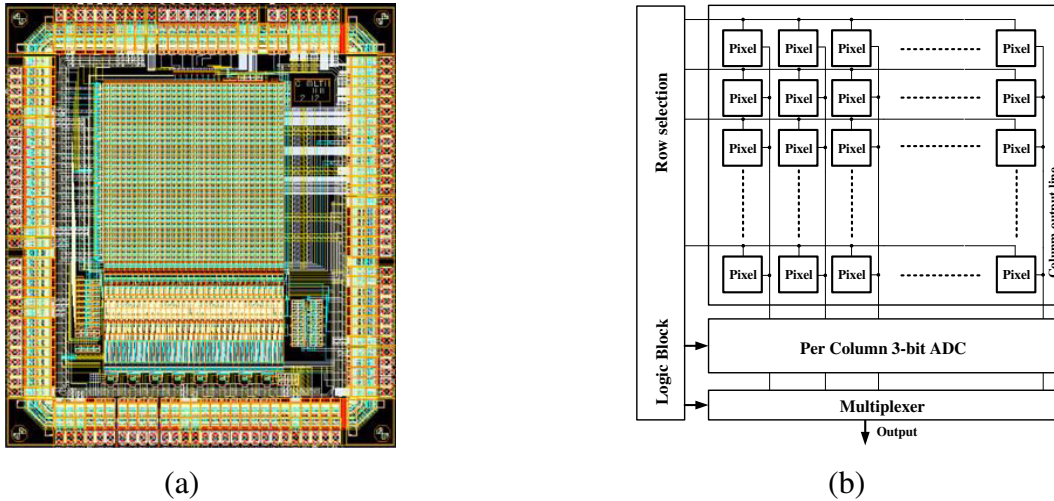


Figure 4: Schéma physique (a) et schéma fonctionnel (b) du capteur prototype

Traitement analogique du signal au sein du pixel :

Deux fonctionnalités principales sont requises au sein du pixel : d'une part amplifier le signal afin d'assurer un rapport signal-à-bruit suffisant pour l'efficacité de détection ; et d'autre part effectuer un double échantillonnage corrélé (CDS pour correlated double sampling) afin de conditionner le signal pour la numérisation. L'architecture du pixel et son fonctionnement temporel sont illustrés par la figure 5. L'élément sensible collectant les charges d'ionisation est une simple diode. Elle est connectée directement à un amplificateur de type source commune. Un autre amplificateur connecté en série avec une capacité et deux transistors de réinitialisation (RST1, RST2 sur le schéma) assurent le CDS. Finalement un amplificateur suiveur relie la sortie du pixel au convertisseur analogique-numérique en bout de colonne. Deux transistors de colonne sont nécessaires pour déclencher la mémorisation des niveaux de base (CALIB) et la lecture (RD). L'ensemble de cette implantation exploite uniquement des transistors de type NMOS, puisque tout transistor PMOS implique un puits de type N qui rentrerait en compétition avec la diode pour la collection des signaux.

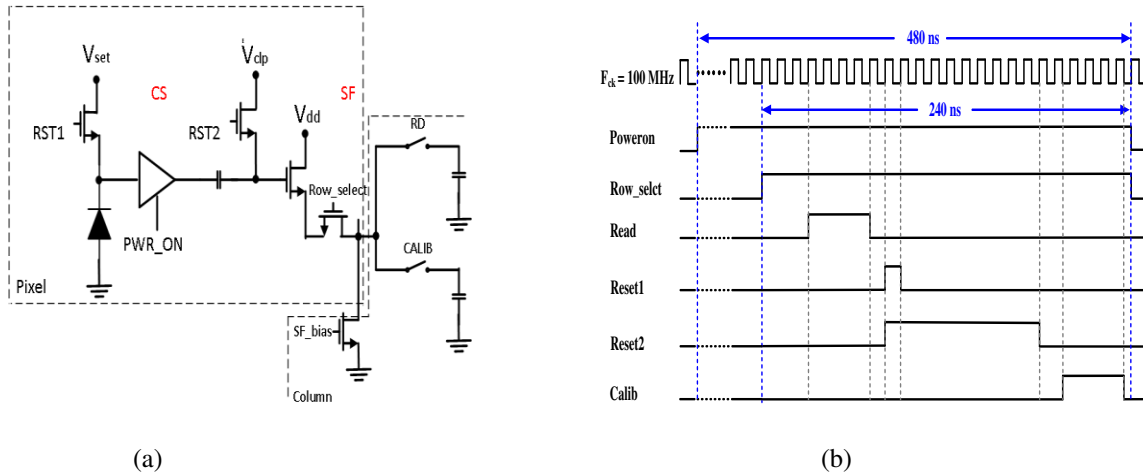


Figure 5: Schématique électrique du pixel (a) et chronogramme de la séquence de lecture (b).

Le prototype a été caractérisé en laboratoire en utilisant plusieurs mode de stimulation, bombardement avec des rayons X monochromatiques (source de ^{55}Fe) et des rayons β (source de ^{90}Sr), et illumination par un laser infrarouge (longueur d'onde 1063 nm) pulsé et focalisé (spot de $5\ \mu\text{m}$) et d'intensité variable. Les tests ont permis d'établir que la charge équivalent au bruit est de l'ordre de 28 e- et conduit à un rapport signal-à-bruit de 13 pour les électrons (correspondant au signal le plus faible, voir figure 6a). La linéarité de la sortie des pixels a été établie pour une charge d'entrée entre 0 et 5000 e-, comme illustré par la figure 6b.

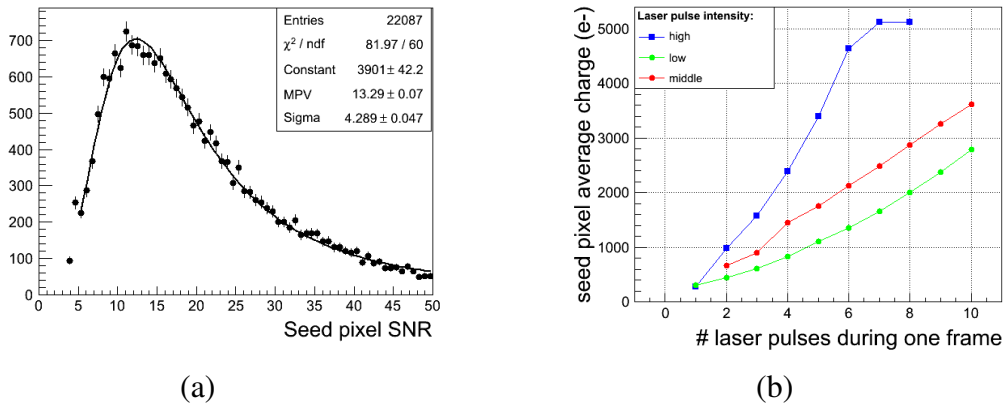


Figure 6 : Distribution du rapport signal-à-bruit pour le pixel siège des amas produit par des rayonnements β (a) et diagramme de gain en fonction du nombre de pulses laser par trame (b).

Conversion numérique sur 3 bits avec des seuils réglables

Les considérations de taille, de vitesse et de dissipation de puissance ont conduit au choix de l'architecture par approximations successives (SAR pour successive approximation register) pour les convertisseurs analogiques-numériques (ADC pour analogue to digital converter). En effet, un

seul comparateur est requis dans ce type d'ADC et trois étapes de comparaison suffisent pour une conversion sur 3 bits.

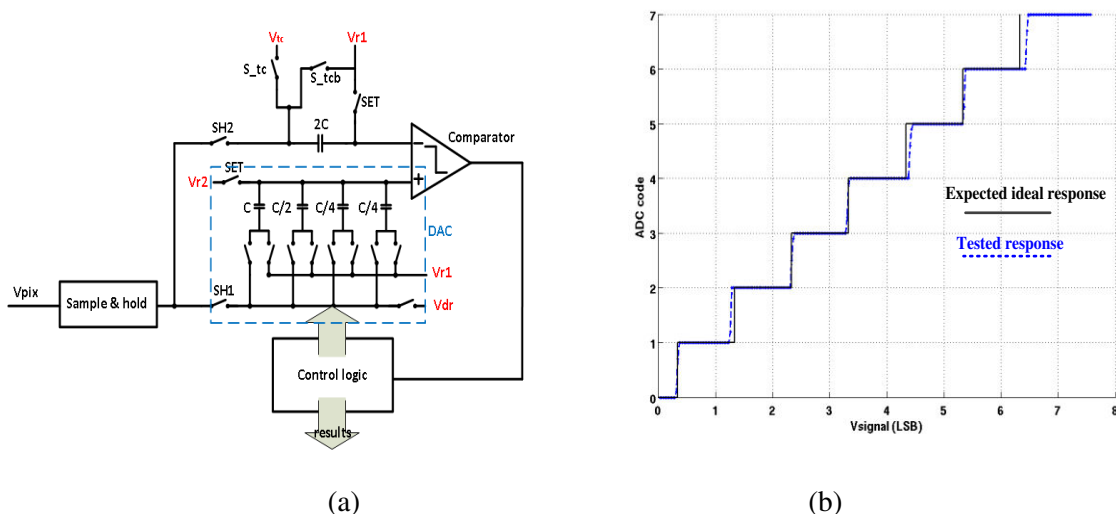


Figure 7: Schéma fonctionnel des convertisseurs analogique-numérique (a) et réponses attendues et simulées en fonction de la valeur d'entrée (b).

La figure 7 représente la structure globale des ADC ainsi que leur réponse. Avant la numérisation un bloc sample-and-hold (S/H) sert à réaliser un CDS au niveau de la colonne, nécessaire pour uniformiser les niveaux de tous les pixels. La tension de référence est générée par un convertisseur numérique-analogique capacitif basé sur le principe de la redistribution de charge. Par ailleurs, la logique de contrôle est intégrée à chaque colonne, elle transfère le signal de sélection en fonction de la réponse des comparateurs de colonne. Quatre tensions externes ($Vr1$, $Vr2$, Vtc , Vdr) contrôlent le fonctionnement de la numérisation, dont les performances peuvent se juger avec la figure 7b.

Traitement numérique du signal : algorithme embarqué de comptage et d'identification

Le traitement numérique est essentiel pour obtenir du compteur une information qui soit directement utilisable sans traitement supplémentaire à bord du satellite nécessitant des composants supplémentaires (FPGA ou CPU par exemple). L'objectif consiste à trier les impacts en fonction de l'énergie déposée (pour déterminer la dose) et du type de particule incidente. L'algorithme conçu réalise les quatre fonctions suivantes :

1. regroupement des pixels touchés adjacents en amas, ces pixels sont considérés comme touchés par la même particule ;
2. sommation des signaux des pixels de chaque amas, le résultat représente l'estimation de l'énergie déposée par la particule correspondante ;

3. séparation des amas en catégorie d'énergie initiale et de nature de particule sur la base de l'énergie reconstruite correspondante ;
4. comptage par incrémentation d'une mémoire correspondant à chaque catégorie, la valeur de ces mémoires constitue l'information de sortie du capteur.

La vitesse de traitement d'une ligne par l'algorithme numérique s'accorde avec le temps de lecture d'une ligne et de conversion des valeurs par les ADC. Ainsi, les données sont traitées de manière continue, sans temps mort. En considérant la valeur de l'énergie reconstruite par amas comme la sortie de l'algorithme, le taux de réduction des données atteint 0.24%.

La description de l'algorithme a été réalisée en langage Verilog puis synthétisé dans la même technologie CMOS 0.35 μm utilisée pour le prototype. L'encombrement des circuits implémentant l'algorithme correspond à une surface de 1,2 x 3,2 mm^2 et la simulation indique une dissipation de puissance de 56,7 mW.

Conclusions et perspectives

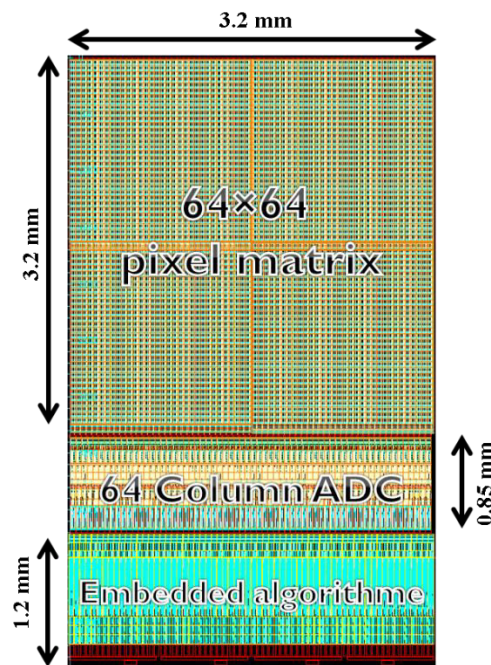


Figure 8: Schéma d'implantation des différentes fonctionnalités du capteur de taille réelle.

A travers ces travaux, nous avons proposé et partiellement validée une architecture de capteur à pixels CMOS adapté à la dosimétrie spatiale en temps réel et pour des flux importants de protons et d'électrons.

La partie sensible du dispositif se compose d'une matrice de 64x64 pixels. Chacune des 64 colonnes de pixels est connectée à un convertisseur analogique-numérique qui permet d'envisager un traitement ultérieur *in situ* des signaux. Le bloc numérique, qui synthétise l'algorithme de reconstitution de l'énergie déposée par chaque impact, traite en effet en ligne les quelques 65 000 images issues de la matrice par seconde. La combinaison de la vitesse de traitement et de la granularité offerte par les pixels assure la capacité de compter jusqu'à 10^7 particules/cm²/s. La puissance dissipée par le circuit ne dépasse pas 100 mW afin de demeurer dans les limites des ressources disponibles sur un satellite.

Nous avons conçu et fait fabriquer, en technologie CMOS 0.35 μ m, un prototype de taille réduite comprenant 32x32 pixels, les convertisseurs analogique-numérique mais sans le traitement numérique final. Les tests menés en laboratoires confirment la sensibilité, le gain ainsi que la linéarité prévus par les simulations des pixels. La réponse individuelle des convertisseurs correspond également aux performances attendues. Ces résultats valident la possibilité du comptage du flux maximal et de distinguer protons et électrons jusqu'à une énergie de 50 MeV. Une identification à plus haute énergie requerrait une stratégie impliquant plusieurs capteurs et des blindages de différentes épaisseurs.

L'algorithme de traitement des données numériques a également été conçu pour la même technologie CMOS mais pas concrétisé par un prototype.

A l'issue de cette étude, nous dégagons deux perspectives. D'une part, une diminution du bruit jusque vers l'équivalent en charge de 20 e⁻ semble possible. Il s'agirait d'améliorer l'architecture du convertisseur analogique-numérique afin de réduire la dispersion entre colonne. D'autre part, la prochaine étape consiste en la fabrication d'un démonstrateur à la taille réelle (matrice de 64x64 pixels) incluant l'algorithme final de traitement des données, voir la figure 8 pour un schéma complet. Ainsi les performances globales du système pourraient être évaluées.

Bibliographie

- [1] D.M.Sawyer and J. I. Vette, AP-8 trapped proton environment for solar maximum and solar minimum, 1976 NASA TM-X-72605.
- [2] J. I. Vette, *The AE-8 trapped electron model environment*, 1991 NSSDC/WDC-A-R&S 91-24.
- [3] N. Guerrini et al., *Design and characterization of a highly miniaturized radiation monitor HMRM*, Nucl. Instrum. Methods Phys. Res., Sect. A, vol. 731, pp. 154-159, 2013.
- [4] HU-Guo C. et al., *First reticule size MAPS with digital output and integrated zero suppression for the EUDET-JRA1 beam telescope*, Nucl. Instrum. Methods Phys. Res., Sect. A, vol. 623, pp. 480-482, 2010.

Introduction

The Earth orbit environment is populated by a great variety of energetic charged particles which are dominated by protons and electrons. Their total omnidirectional fluxes may reach several $10^7 \cdot \text{cm}^{-2} \cdot \text{s}^{-1}$ with energies covering many orders of magnitude (for protons in the range 0.1 - 400 MeV and electrons in the range 0.04 - 7 MeV). The interactions of these particles with spacecraft systems and payloads lead to the cumulative degradation of components and to single-event effects in electronic devices. These may result in system malfunction, reduction of mission lifetime and even loss of a spacecraft. Moreover, safety concerns for human space habitation and exploration pose even greater challenges.

Radiation monitoring devices are therefore required to assess these risks, raise online alarms and correlate failures with the radiation environment. The data obtained will help to improve mission planning, recommendations for spacecraft design and introduces the possibility of real-time alerting.

Monitors in current use may be divided into two broad categories: scientific payloads and support instruments. The former have good particle measurement capability, with large mass ($\gg 1$ kg) and power requirements ($\gg 1$ W). Smaller support instruments, however, have limited functionality (e.g. dosimetry) and offer little or no particle discrimination. Damage effects depend strongly on particle species and energy, meaning that particle identification would be an important advantage for these devices. The development of a small, accurate instrument suitable for widespread use on satellites in Earth orbit could therefore open new prospects for radiation detection and monitoring in space.

CMOS Pixel Sensors (CPS), being monolithic full detection systems, have the potential to provide real-time measurement of this high flux and mixed particles environment with additional advantages including low power and weight, as well as small size. A CMOS image sensor based on a 50 by 51 pixel array was chosen to be the core part of the ongoing project HMRM which is being developed by the UK Science and Technology and Facility Council (STFC), Rutherford Appleton Laboratory (RAL) and Imperial College London, within the framework of a European Space Agency (ESA) technology development contract.

For the identification of particles species and energies mainly, the HMRM relies on the innovative architecture: a telescopic configuration of four CPS standard imagers enclosed in a

titanium shield. This study departs from this strategy, indeed it focuses on further exploring the full potential of a single CMOS monolithic pixel sensor. We have proposed a CPS architecture named COMETH. The pixelization of its sensitive part helps in increasing both the counting rate and the measurable energy range. All the signal treatment electronics including the signal amplification, analogue to digital conversion, digital signal processing, and data amount compression are embedded on the same chip with the signal sensing part. This study is the first investigation to use the monolithic CMOS sensor in the particles spectrascopy application.

The challenge of this thesis is to demonstrate both the sensitivity of this sensor technology to the expected radiations and the ability to integrate directly on the chip the data processing which turns the sensor into a really autonomous dosimeter. It is organized as follows:

- In chapter 1, the physics of the interactions of radiation with matter, which the detection of particles is based on, will be presented. We start this chapter with a brief summary of the interactions and energy loss mechanisms in matter of the particles concerned in this study. In addition, various types of detectors build on silicon which is the most commonly used material by far, are introduced and compared. Finally, this chapter is concluded with the most general question for this PhD study.
- In chapter 2, the state-of-the-art CPS development, where the COMETH architecture is extended from, performed by the CMOS research group at IPHC will be presented. This chapter describes the development specifications for particle tracking detection; the optimizations of MAPS to meet these contradictory requirements; the design and performances of MIMOSA 26 which is the first full scale CMOS sensor with high read-out speed and integrated zero suppression; and finally, based on these description, the chapter is concluded with the proposed MAPS architecture for the new application: space radiation monitoring.
- In chapter 3, the general characteristics of the main particle populations found in Earth orbit is described in the beginning. Then several typical existing radiation monitors are compared and evaluated; finally, physics simulation methods and the optimized solution of the proposed CMOS pixel sensor designed for future miniaturized radiation monitor are introduced.
- In chapter 4, the constraints and specifications for the sensor design of the signal processing will be introduced. The three stages: analogue signal processing, analogue to digital conversion and the embedded digital signal processing will be discussed respectively and the global architecture will be introduced at the end of this chapter.
- In chapter 5, the pixel matrix design details and the test results obtained with X-rays, β -particles and laser illumination will be presented and discussed.
- In chapter 6, the ADC architectures which could be used in COMETH application are firstly introduced. Then the design details of the chosen architecture with the most advantages for this application are described. Finally the prototype test results are displayed and discussed, and new architectures are proposed.

- In chapter 7, the operation principle, hardware system design, simulated performances and limitations of the embedded digital signal processing algorithm will be presented.
- In the conclusion, the results obtained in this thesis will be summarized and the general conclusions will be presented. In the end, the perspectives for the possible production of the complete monitor are addressed.

Chapter 1

Ionization based particle detection

Particles can be detected only through their interactions with matter. Detection methods used to collect and amplify the results of these interactions can be generally classified as: detection of specific chemical changes induced in sensitive emulsions; detection of secondary electronic excitation in a solid or liquid scintillator; collection of the ionization produced in a gas or solid.

This study is based on the third method. In principle, the careful measurement of the primary ionization created by nuclear particles provides the most information about the particle and its energy. The devices with the highest resolution are these detectors based upon ionization.

An energetic charged particle passing through matter undergoes a series of random, independent interactions with the atomic electrons and nuclei of the target material. The ionization energy loss at each interaction for a given target matter depends not only on the types of incident particles but also on their properties, such as energy and momentum. That makes the measurement of particle deposited energy a reliable and efficient means to build the particle detector in many applications, such as dosimetry, radiation monitoring, particle identification, calorimetry, etc.

To understand how the particles may be detected and how a specific type of detector responds to radiation, a familiarity with the fundamental mechanisms by which radiations interact and lose their energy in the material of the detector itself is mandatory. We start this chapter with a brief summary of the interactions and energy loss mechanisms in matter of the particles concerned in this study. In addition, various types of detectors build on silicon which is the most commonly used material by far, are introduced and compared. Finally, this chapter is concluded with the most general question for this PhD study.

1.1 Interactions of particles with matter

There are two main kinds of processes by which a particle going through matter can lose energy. The first kind energy loss is continuously, which is the case for charged particles. This is dominated by electronic (‘collisional’) interactions with the electrons which may cause ionization or atomic excitation. Since the energy loss at each interaction is typically much less than the total kinetic energy of the charged particles, the overall effect is a quasi-continuous transfer of energy to the target medium. These collisional energy losses could be characterized by the mean value per unit path length, as a function of particle energy, in a given material. The earliest accurate descriptions of this quantity were provided by Bethe [1], known as the linear stopping power.

The second kind energy loss happens as a stochastic single event; for instance, an x-ray photon can pass completely through a thin silicon layer without any loss, or releases all its energy in a single collision.

As well as energy loss, Coulomb scattering causes deviation of the projectile trajectory. The cumulative effect of many such small angle deflections as the particle crosses a material layer (multiple scattering) is accurately described by Molière theory [2]. In addition, single-event, wide-angle scattering (Rutherford scattering) may occur.

In this section, we will start by considering the interaction of electrons with matter, and then proceed to look at the interactions of heavy charged particles and photons.

1.1.1 Interaction of electrons

Specific Energy Loss

The mean collisional energy loss rate (or stopping power), $-\frac{dE}{dx}$, for an electron projectile with energy E is given by the Bethe mean stopping power formula [3]:

$$-\frac{dE}{dx} = \frac{2\pi NZe^4}{m_e v^2} \left\{ \ln \left[\frac{(\gamma+1)E^2}{2I^2} \right] - \left(\frac{2}{\gamma} - \frac{1}{\gamma^2} \right) \ln 2 + \frac{1}{\gamma^2} + \frac{1}{8} \left(1 - \frac{1}{\gamma} \right)^2 - \delta \right\} \quad (1.1)$$

where m_e and v are the electron mass and velocity, γ is the Lorentz factor and N and Z are the target atom number density and atomic number. The parameter I represents the average excitation and ionization potential of the absorber and is normally determined through experiment. The parameter δ corrects for the density effect related to the polarization of the medium.

Equation 1.1 is valid for electron projectile energies greater than the atomic binding energies (a few keV, depending on material). At high energies the total electron stopping power is progressively underestimated as radiative losses are not included. These radiative losses take the form of bremsstrahlung or electromagnetic radiation, which can emanate from any position along the electron track. Radiative losses for electrons are approximately proportional to the particle energy, whereas collisional losses rise only logarithmically [4]. As a result, radiation dominates

at energies above a critical energy, generally of order 10 MeV in common materials. For example, radiation constitutes ~1% of energy loss for electrons at 700 keV in aluminum and ~10% at 7 MeV [5].

The total linear stopping power for electrons is the sum of the collisional and radiative losses:

$$\frac{dE}{dx} = \left(\frac{dE}{dx}\right)_c + \left(\frac{dE}{dx}\right)_r \quad (1.2)$$

The ratio of the specific energy losses is given approximately by [6]:

$$\frac{(dE/dx)_r}{(dE/dx)_c} \cong \frac{EZ}{700} \quad (1.3)$$

where E is in units of MeV. Equation (1.3) shows that radiative losses are most important for high electron energies and for absorber materials of large atomic number.

Range in material

Compare with heavy charged particles, electrons follow a much more tortuous path through absorbing materials. Tracks from a mono-energetic electron source might appear as in the sketch below:

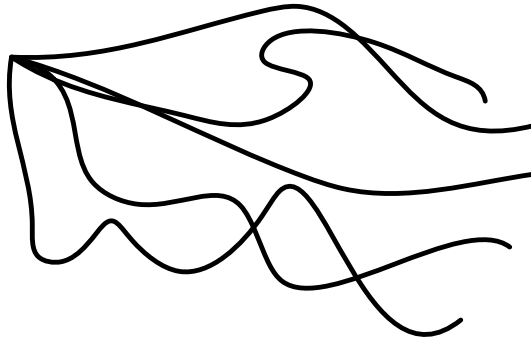


Figure 1.1: Sketch of electron tracks might appear in material.

Integration of the mean energy loss rate to particle energy provides a very close approximation to the average path length traveled by a charged particle as it slows down to rest, known as the continuous slowing down approximation (CSDA). Fig. 1.2 shows the example of the mean CSDA ranges for electrons in silicon. However, this is the range along the particle trajectory rather than the forward range through a material. The ratio of the projected range to the CSDA range, known as the detour factor, is always less than one for electrons. Due to its mass is equal to that of the orbital electrons with which it is interacting, large deviations in the electron path are possible. For instance, a 1 MeV electron has a detour factor of ~0.5 in most materials.

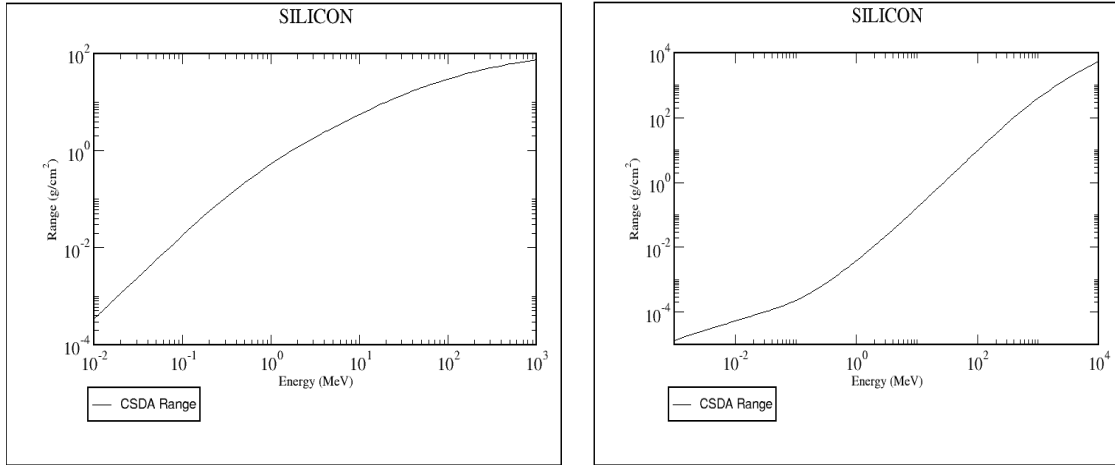


Figure 1.2: Mean CSDA range in silicon for electrons (left) and proton (right) [7].

1.1.2 Interaction of protons and ions

Specific energy loss

Heavy charged particles (more massive than electrons), such as proton, interact with matter primarily through coulomb forces between their positive charge and the negative charge of the orbital electrons within the absorber atoms. Except at their very end, heavy charged particles travel with quite straight path in matters, lose their energy gradually.

The main interactions of heavy charged particles with matter are ionization and excitation. The mean rate of energy loss is given by the *Bethe formula* [6]:

$$-\frac{dE}{dx} = \frac{4\pi e^4 z^2 NZ}{m_e v^2} \left[\ln \frac{2m_e v^2}{I} - \ln \left(1 - \frac{v^2}{c^2} \right) - \frac{v^2}{c^2} \right] \quad (1.4)$$

Where v and ze are the projectile velocity and charge of the primary particle; the other parameters are as previously described.

This formula accurately describes collisional losses for ions with velocities much greater than those of the orbital electrons of the target atoms ($E \gg 25 \text{ keV/n}$). Several corrections have been added to the original Bethe formulation to account for the density effect at high energy and the Barkas, Bloch and Shell corrections at low energies [8, 9, 10].

Radiative losses are less significant than for electrons (proton radiative losses reach 1% only at GeV energies). Multiple scattering is also less significant for protons/ions than for electrons due to their greater mass and consequently detour factors are approximately 1 at MeV/n energies. The CSDA range (example shows in Fig. 1.2) is therefore a more useful quantity than for electrons.

Energy loss fluctuation

The quantity $(dE/dx)\delta x$ represents the mean energy loss via interactions with electrons in a layer of thickness δx . It is often a satisfactory description in simple beam dosimetry applications. However, in single particle treating applications, the mean stopping power is often not sufficient. For finite thickness, strong fluctuations around the average energy loss exist. The energy loss is a stochastic process because of two sources of variations: the transferred energy in a single collision and the actual number of collisions in a material layer. The latter effect has a greater relative importance for thinner layers.

The energy-loss distribution is strongly asymmetric, featuring a long tail at high energies, representing rare events with large energy loss. This is firstly described by the Landau distribution [11]. The Landau distribution is not an accurate description of the energy loss in thin absorbers, such as silicon detectors (i.e. CMOS sensors). While the most probable energy loss can be calculated adequately, its distribution becomes significantly wider than the Landau width [12]. Figure 1.3 presents the energy loss distributions for 500 MeV pions incident on thin silicon detectors. The position of the peak in the distribution defines the most probable energy loss. Thinner absorbing layers exhibit a greater distribution width than that predicted, due to the effects of the binding of atomic electrons [13].

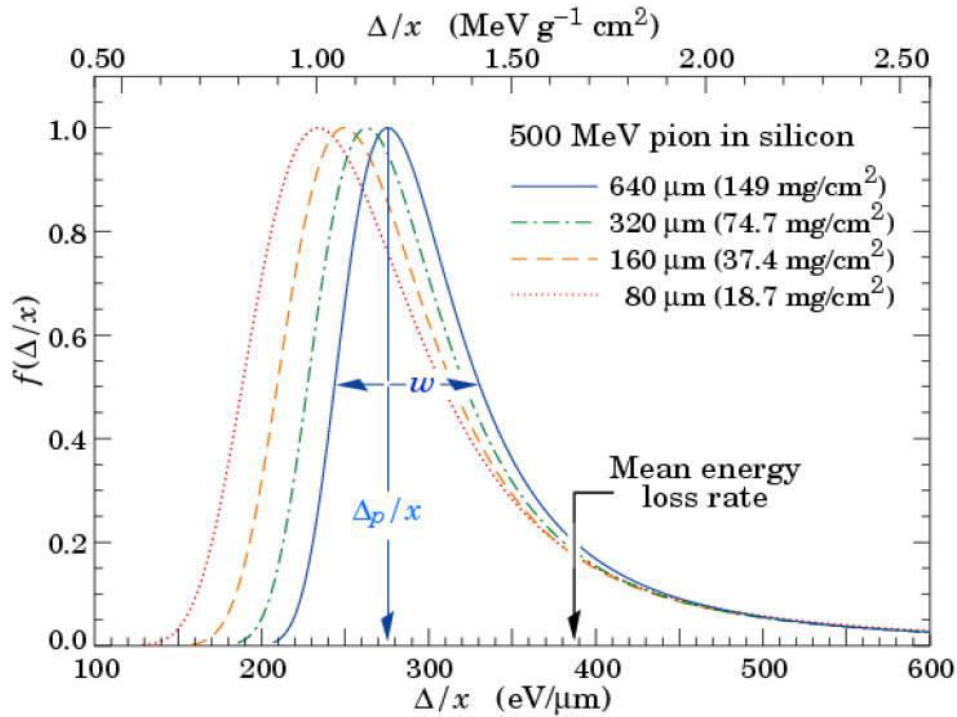


Figure 1.3: Straggling functions in silicon for 500 MeV pions, normalized to unity at the most probable value δx . The width ω is the full width at half maximum [12].

Energy loss variance, together with angular scattering, contributes to the energy and range straggling observed for particle beams passing through matter. Mean stopping powers and CSDA

approximations are therefore only suitable for the simplest dosimetry applications, while Monte Carlo simulations are required to obtain greater accuracy in realistic situations.

1.1.3 Interaction of photons

Photons' energy loss happens as a stochastic single event, they may penetrate thin layer of materials without any interaction, thus no energy loss. When a mono-energetic beam of photons with intensity I_0 , passing through a material of thickness x , the intensity of photons, $I(x)$, penetrating without any interaction is given by:

$$I(x) = I_0 e^{-(\mu/\rho)x} \quad (1.5)$$

Where μ/ρ (ρ is the density of the material) is the mass absorption coefficient which is strongly depends on the photon energy. Lower energy photons are attenuated more rapidly.

In every photon interaction, the photon is either completely absorbed or scattered. In the energy range interested in this study, a photon interacting with matter loses its energy and/ or is scattered by mainly three processes: photoelectric effect, Compton effect and pair production. The contribution of different processes depends on the photon energy and the atomic number of the absorber, as shown in Fig. 1.4. These different processes are described with more details in the following.

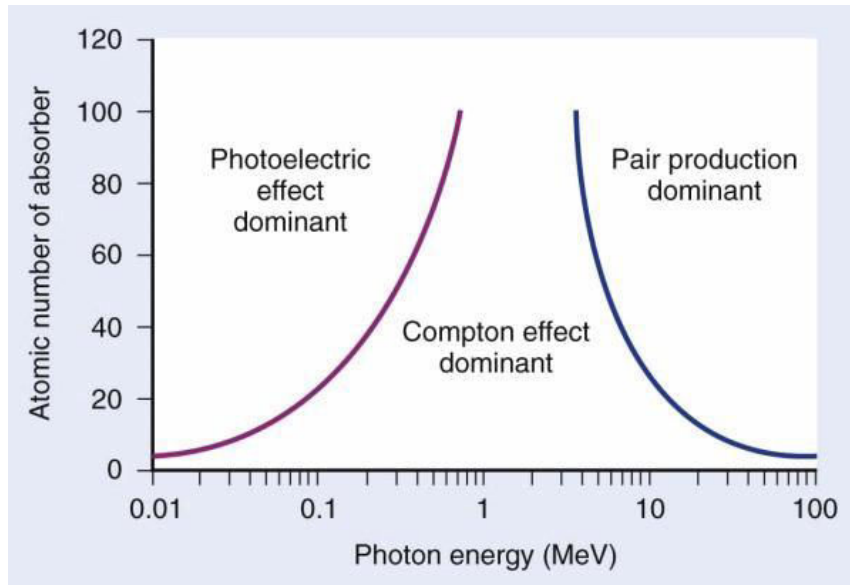


Figure 1.4: Regions where the photoelectric effect, Compton effect and pair production dominate as a function of the photon energy and the atomic number of the absorber.

Photoelectric effect

For photons of energy below 100 keV (or 300 keV for heavy material), the photoelectric effect dominates. The photon is absorbed and its energy is transferred to an electron. If the energy is

sufficient to extract an electron from the atom, the electron, called photoelectron, is excited from the valence band to the conduction band and an electron-hole pair is generated. The remaining energy is transferred to the photoelectron as kinetic energy. If the later is sufficient, following secondary ionization may occur along along its trajectory.

Compton effect

For photons of energy between 100 keV and 5 MeV (or 10 MeV for light materials), the Compton effect becomes significant. Compton effect is the interaction between photons and electrons free or quasi-free atomic electrons. Part of the energy of the photon is transferred to the emitted electron, and its direction is changed.

Pair production

For high energy photons, the pair production process becomes dominant. The photon must have enough energy to create the mass of an electron plus a positron. Therefore, the threshold energy is about $2m_e c^2$ (1.022 MeV).

1.2 Properties of Radiation Detector

Although the various types of radiation detectors differ in many respects, several common criteria are used to evaluate the performance of any detector type. Some important criteria in this study are introduced in this section.

1) Energy resolution

Energy resolution is a most important property of a radiation detection system when radiation spectroscopy is intended. It is the accuracy with which the system can measure the energy of a radiation and its ability to distinguish radiations of slightly different energy. Fig. 1.5 illustrates the differential pulse height distribution from two detection systems for the same radiation source. When a mono-energetic source is measured and each system produces the corresponding response of a simple peak, the system with a good resolution gives a narrower peak width, which is beneficial for separating closely located peaks.

When mono-energetic radiation is incident on a detector and the energy spectrum is measured, the peak produced by full-energy deposition is Gaussian as shown in Fig. 1.6 if the number of counts is sufficient enough. The energy resolution of a peak can be expressed as the width of the peak. Thus, a good resolution means narrower peak width. A conventional way of defining the width is Full Width at Half Maximum (FWHM). From the definition of Gaussian function

$$G(E) = \frac{A_p}{\sigma\sqrt{2\pi}} \exp\left(-\frac{(E-E_0)^2}{2\sigma^2}\right) \quad (1.6)$$

Where, A_p is the peak area or number of counts, σ is standard deviation, E_0 is the energy of the incident radiation, FWHM has a relation of $FWHM = 2.355\sigma$.

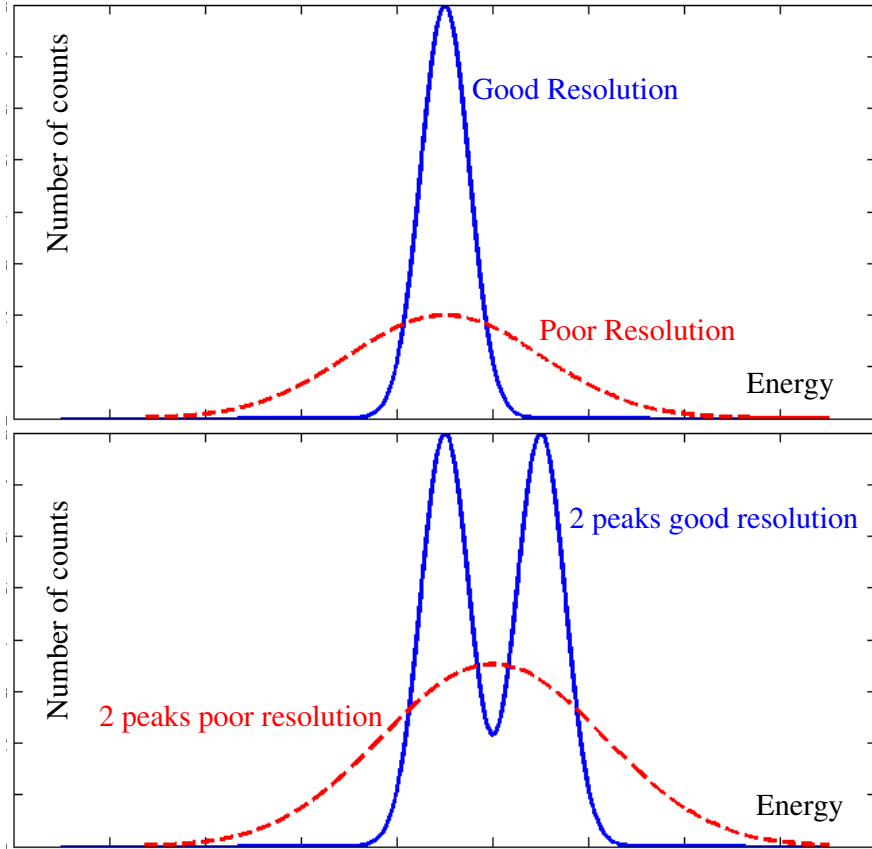


Figure 1.5: Examples of good and poor energy resolutions

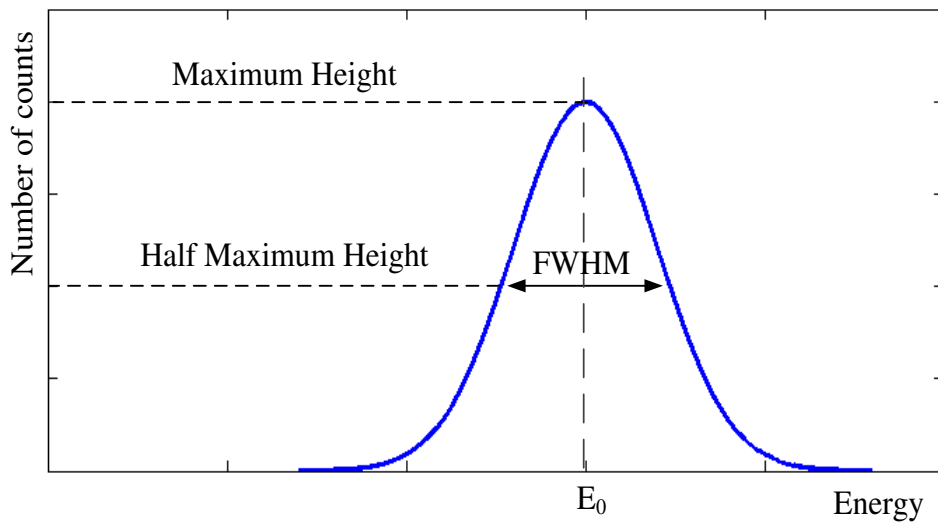


Figure 1.6: Definition of detector resolution.

2) Detection efficiency

As the general meaning implies, detection efficiency represents the probability of detection for a single radiation quantum.

Detector efficiency is used in three different contexts. The first is intrinsic efficiency, which is the fraction of particles incident in the detector volume that are detected. Next, there is geometric efficiency, which is the solid angle that the detector presents to the source, and finally, absolute efficiency, that is, the product of the geometric and the intrinsic efficiencies. Said another way, the absolute efficiency is the counts in the detector divided by the radiation particles emitted.

An ideal radiation detection system should have a high efficiency and a good energy resolution, which is hardly met in practical applications. A compromise is usually unavoidable. However, if the proportion of detected particles is known, the number of particles can be calculated from the number detected.

3) Dead time

Dead time is the fixed time that follows each event and is the time in which the detector is dead to new events. Any events that occur during this time are lost. In all detector systems, there is a minimum amount of dead time; this may be due to the detector and/or the electronics.

If dead time losses are not accounted for, this can lead to misleading results e.g. source activities will be underestimated. There are two models for dead time behavior: paralyzable (or extending) and non-paralyzable (or non-extending). A fixed dead time follows each event that occurs during the live period of the detector. In non-paralyzable system, Events that occur during the dead period are not recorded and have no effect on the system. However in paralyzable system, events that occur during the dead period, although not recorded, still create another fixed dead time on the system following the lost event.

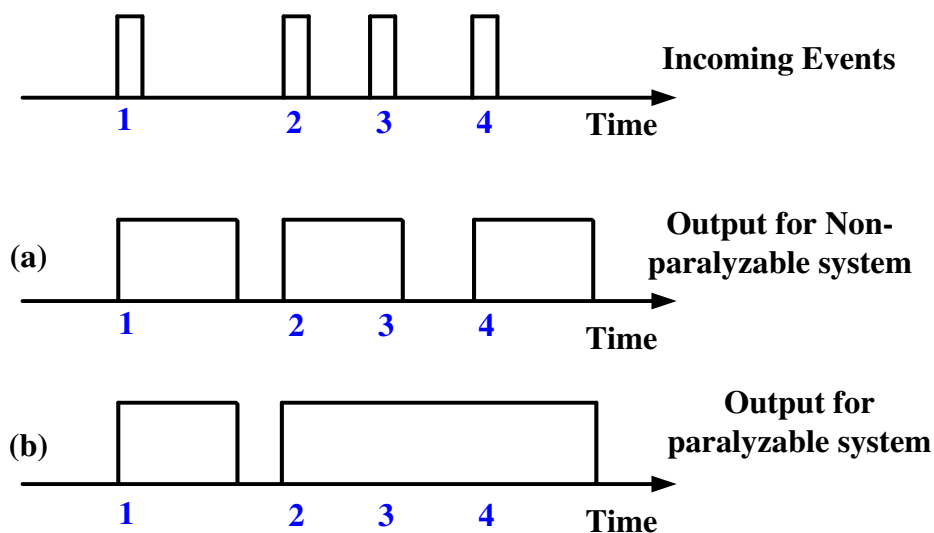


Figure 1.7: Incoming events recorded with non-paralyzable (a) and paralyzable (b) devices

An example is shown in Fig. 1.7, 4 events occur. Case (a) represents a non-paralyzable detector, and for this detector, we can see that 3 events are recorded. For the paralyzable detector (b), only 2 events are recorded. These losses should be considered significant, especially if the event rates are high.

1.3 Silicon detectors

Broadly speaking, ionization based detectors have the common feature that the ionizing energy loss of incident radiation converts into electron-hole (e-h) pairs in an active volume of the device. An electric field is applied to the active volume to separate the charge pairs and sweep the ions to the electrodes. The active medium could be either gas or semiconductors, while liquids are limited due to their impurity level [14]. Gas-filled detectors are easy to construct and operate, but the density of the stopping material is low. The effective ionization potential is large, typically ~ 20 eV. Semiconductors are $\sim 10^3$ times denser than gases and have lower ionization potentials, ~ 2 eV. Low ionization potentials and high density make it possible to built thin detectors with high signal.

Silicon is by far the most commonly used material for radiation detection. Its energy band gap of 1.12 eV at room temperature is neither too low to avoid high leakage current from electron-hole pair generation, nor too high to allow abundant production of charge carriers by an ionization particle (energy needed to generate 1 e-h pair in silicon is 3.6 eV; about 80 e-h pairs per micron track length for a minimum ionizing particle). This feature that silicon has moderate intrinsic charge concentration and intrinsic resistivity make it well suitable for radiation detectors.

In addition, the existing and advanced Integrated Circuit technologies based on silicon allows the integration of readout electronics and the sensitive volume on the same substrate. This approach yields a monolithic, thin and compact detector. CMOS Pixel Sensors (CPS) introduced in chapter 2 is an example of monolithic detector developed for particle tracking.

In this section, we start with the silicon detector physics, introduce the basic detection principles of silicon detectors; in addition, radiation damages which influence the performance of silicon detectors are also described; finally, various types of most commonly used silicon detectors are introduced and compared.

1.3.1 Silicon detector physics

The p-n junction

A pure semiconductor that contains approximately the same number of positive charge carriers (holes) in the valence band and negative charge carriers (electrons) in the conduction band is called intrinsic. The conductivity of any semiconductor can be adjusted by adding controlled amounts of impurities which is called doping. Impurities replace silicon atoms in the crystal structure and create additional energy levels between valence and conduction bands. The locations of these levels in the band gap depend on the type of the impurity added. The impurity

that creates energy levels near the conduction/valence band introducing additional negative/positive charges in the material is known as donor/acceptor. In the semiconductor doping with donor impurity, the concentration of electrons exceeds the concentration of holes; such material is referred to as n-type semiconductor. As a result of acceptor impurity doping, holes are the major carriers resulting in a p-type semiconductor.

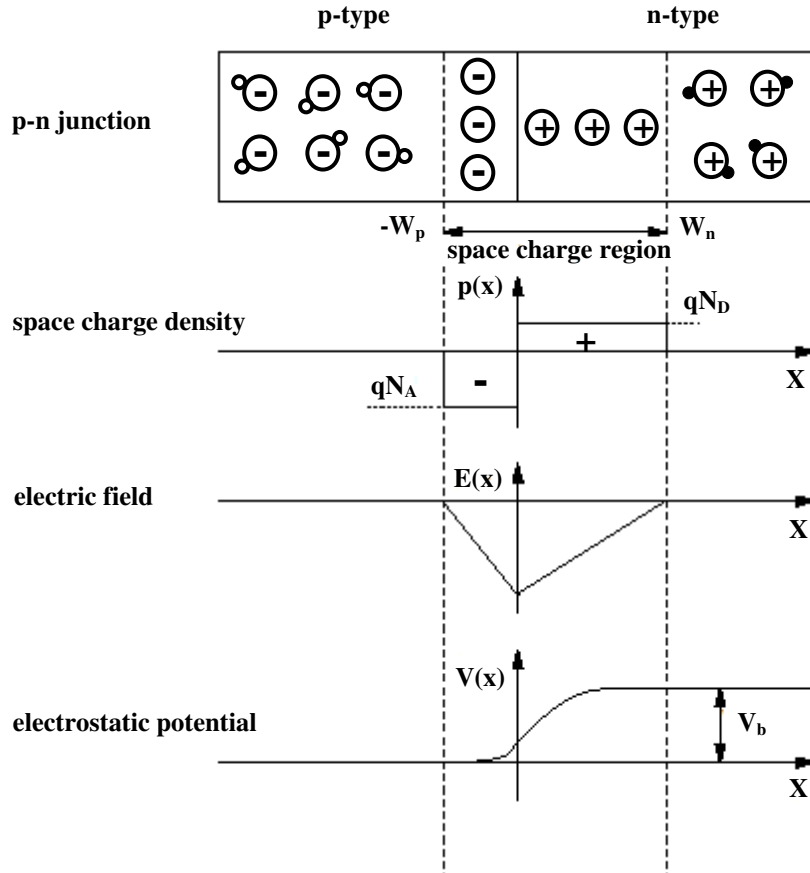


Figure 1.8: Approximation of an abrupt p-n junction: space charge density, electric field distribution, and electrostatic potential distribution.

P-type and n-type regions joined in a single crystal semiconductor material to form a p-n junction (Fig. 1.8). Holes from the p-side diffuse into the n-side and electrons from the n-side flow towards the p-side. As the holes and electrons move in opposite directions and combine together, a negative space charge leaves in the p-side and a positive space charge leaves in the n-side. An electric field is built up which impedes the further diffusion of electrons and holes. Thus a central region free of mobile carriers is created, called depletion region or space-charge region. The electrostatic potential difference across the depletion region at thermal equilibrium is referred to as the built-in potential (V_b). The width of the depletion region is the sum of the depletion region width on each side, given by

$$W = W_n + W_p = \sqrt{\frac{2\varepsilon_{si}\varepsilon_0V_b}{q} \left(\frac{1}{N_A} + \frac{1}{N_D} \right)} \quad (1.7)$$

Where $q = 1.602 \times 10^{-19} C$ is the elementary charge, W_n and W_p are the widths of the depletion regions on n-side and p-side, N_A and N_D are the concentrations of acceptor and donor, ε_{si} and ε_0 are the dielectric constant of silicon and the permittivity of vacuum, and q is the unit charge of electron. W_n or W_p is inversely proportional to the doping concentration. In semiconductor detector diodes, usually the doping in one side of the junction is typically a few orders of magnitude higher, so the depletion region extends essentially only into the lightly doped region (bulk). In this case, the total depth of the diode junction W_j according to Equation 1.7 becomes:

$$W_j = \sqrt{\frac{2\varepsilon_{si}\varepsilon_0V_b}{qN_b}} \quad (1.8)$$

where N_b is the concentration of bulk.

The depletion region plays a central role in semiconductor radiation detectors. These charges generated by the incident radiation in the depletion region move in opposite directions under the influence of the effective junction electric field and constitute an electrical current that can be measured. However, in this case the junction is too thin to be effectively used (not enough signal charges generated). The width of the depletion region can be increased by applying external reverse bias voltage. For silicon bulk-diode made on a wafer with a 300 μm thickness, typically 60 to 100 volts are required to significantly deplete the lightly doped bulk. The maximum voltage applied to the junction could not exceed its breakdown voltage.

In the absence of incident radiation, except for a small leakage current, the depletion region of a p-n junction essentially acts as a parallel plate capacitor with a capacitance of:

$$C_j = \frac{\varepsilon_{si}\varepsilon_0A}{W_j} = A \sqrt{\frac{q\varepsilon_{si}\varepsilon_0N_b}{2(V_B - V_b)}} \quad (1.9)$$

where V_B is the reverse bias voltage, and A is the surface area of the junction.

In the case of particle detectors, a large depleted volume leads to a large sensitive volume and decreased diode capacitance. This translates to increase in the signal charge, thereby increase the Signal-to-Noise Ratio (SNR).

Charge collection

As discussed in the previous section, the ionization of particles traversing the detector leads to the creation of free e-h pairs. The operation of a silicon detector is based on the collection of these free charged carriers. An electric field between the electrodes is required to move these carriers according to the relation:

$$\vec{v} = \mu \vec{E} \quad (1.10)$$

where \vec{v} is the mean carrier drift velocity, μ is the mobility and \vec{E} is the electric field. Electrons and holes in silicon at room temperature have mobilities of 1350 and 480 cm²/V·s, respectively. The linear relation of eq. 1.10 is only valid for weak electric fields; at high electric field strength (above 10⁵ V/cm), the increasing number of collisions of carriers with the crystal lattice finally leads to saturation of the average velocity of 10⁷ cm/s [15].

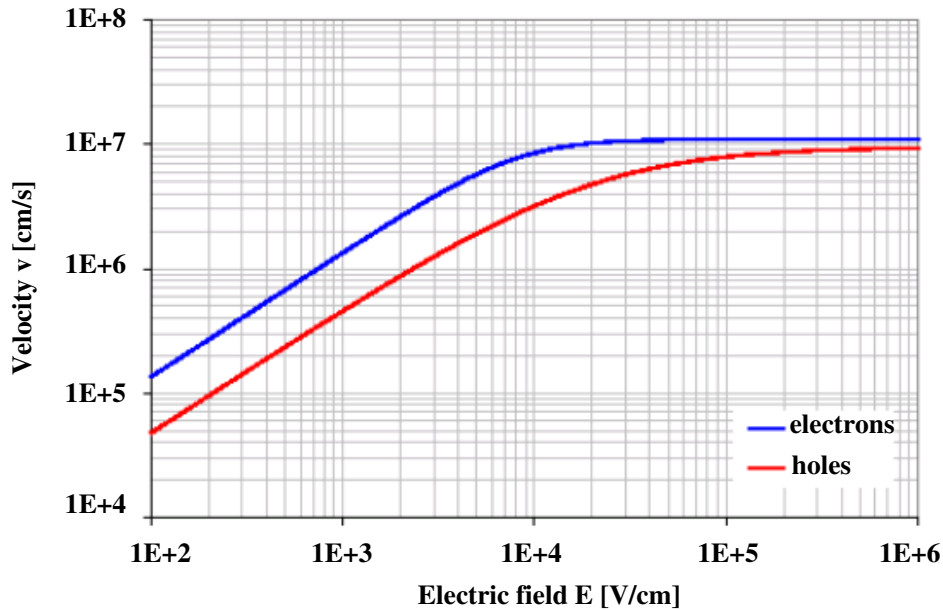


Figure 1.9: Electron and hole velocities vs. the electric field strength in silicon.

The time required for charge carriers originating at position A to reach a point B can be calculated according to their velocities. The charge collection time varies with the detector operation mechanism. Typically, a fully depleted detection volume is preferred since it reduces the probability of charge trapping and guides charge motion. This effect allows fast detector response and improves charge collection efficiency. However, in some detector technologies, high electric fields can not be employed because of the limited voltage range allowed by the fabrication processes. This is just the case of CPS, using standard CMOS process. Consequently, CPS operates at partial depletion, and the electric field is present only in the vicinity of the electrodes. The charges from the un-depleted region are collected through thermal diffusion which depends only on the carrier mobility and doping concentration in the bulk material. They can contribute to the total signal only if they reach the depletion region, otherwise they are lost due to either recombination or trapping far away from the depletion zone. For a partially depleted detector, the typical value of charge collection time for silicon with 10 kΩ resistivity, is of the order of 30 ns and 90 ns for electrons and holes, respectively. It is three times longer than a fully depleted detector for the same material [16].

Signal current

The signal current is generated by charge moving in the sensitive volume through charge induced on the collecting electrodes. Quantitative description of this current is given by the Ramo-Shockley theorem [17, 18]:

$$I = -q\vec{v}\vec{E}_w \quad (1.11)$$

Where \vec{E}_w is the weighting field strength, and \vec{v} is the velocity of charge carrier. The weighting field is determined by applying unit potential to the measurement electrode and zero to all others. This field depends only on geometry of the electrodes. The electric field and the weighting field are the same only for two electrode configurations. The weighting field determines the coupling between the moving charge and the electrode. In general, if the moving charge does not terminate on the collecting electrode, the induced signal current changes sign and integrates to zero. The current cancellation on non-collecting electrodes relies on the motion of both electrons and holes.

For the case of CPS, due to the limited bias voltage, the depletion regions of each charge collecting diode are very shallow and separated on the same substrate. Thus, the electric fields introduced by each electrode are also separated, while the non-depleted region can be regarded as a constant potential volume. The weighting potential is highest near the collecting electrode; therefore, most of the signal is induced when the moving charge is near or terminates on the collecting electrode.

1.3.2 Radiation damages

While the electromagnetic radiation passing through matter often results in negligible changes to the macroscopic properties of the material, some process can cause negative impact is referred to as radiation damage. The effects of this damage may become apparent after cumulative exposure to particle fluences over a period of time, or may result from single particle events. They may cause chemical and structural changes to materials, such as colouration, embrittlement and gas evolution [19]. However, these aspects are not discussed further here. In this section, we mainly discuss the radiation effects on semiconductor components (principally silicon), as they are the primary reasons for the performance degradation of radiation detectors.

The main effects due to radiation damage in semiconductor can be summarized in two classes: bulk and surface damages. The former is usually caused by the displacement of crystal atoms while the latter include all effects in the covering dielectrics and the interface region.

Bulk damage

Bulk damage is caused by interaction of the incident particles with the nuclei of the lattice atoms. Beside of atomic excitation or ionization, atomic recoil and displacement from the crystal lattice may result. In contrast to ionization, such interactions are irreversible in most cases. To remove an atom from its lattice position, the displacement energy threshold is 25 eV for silicon (also

depending on incidence direction with respect to the lattice). Electrons need an energy of at least 260 keV in order to provide such energy in a collision, while protons and neutrons, because of their higher mass, require only 190 eV. Also the ability of a particle to impart this energy is dependent on the collision kinematics, determined by the particle mass and energy. For instance, a 100 keV electron can transfer a maximum of ~5 eV, while a 10 MeV deuteron may transfer ~1 MeV, while the mean value transferred is generally many orders of magnitude smaller [20].

To be able to compare the damage caused by the different types of particles with different energies, radiation damage is scaled with the non-ionizing energy loss (NIEL). The NIEL expresses energy lost to non-ionizing events per unit length (MeV/cm or MeV cm²/g). The equivalent fluence of 1 MeV neutrons is used as reference particles.

The defects in the crystal structure introduce additional energy levels within the semiconductor band structure. The additional donor-like and acceptor-like energy levels can trap charge carriers, seriously degrading the minority carrier lifetime. These additional generation-recombination centers reduce the carrier mobility and introduce additional leakage current in a depleted material. Due to their similar action way with donor/acceptor dopants, they also interfere with the intended semiconductor doping. Large irradiations have even been found to cause type inversion in high resistivity n-type silicon, producing p-type behavior [21].

Surface damage

While lattice displacement in the bulk semiconductor is due to non-ionizing energy losses, other forms of damage may result from ionizing losses. Two examples are ionization in surface oxide layers and the trapping of charge at interfaces. Both of these effects are caused by ionizing losses, therefore all charged particles can contribute and the severity scales with the magnitude of the received dose.

In silicon dioxide, an average energy of about 18 eV is required to generate an e-h pair. Most of the charge generated in this area recombines without inducing any negative effects; however, a small fraction of them will migrate, become trapped and accumulate at the interface.

Traps amount at the Si-SiO₂ interface depends on the processing parameters, such as oxidation temperature [22]. Ionizing radiation will further increase the amount of interface traps. Trapping centers will affect charge collection in the detector. Traps acting as generation-recombination centers will increase recombination rate at the interface, leading to increased leakage current.

Radiation damage effects in CMOS Microelectronics

Bulk and surface damages in semiconductors are typically increasing in leakage currents, changing in carrier concentrations and reducing in carrier lifetimes. They may show different severity in various semiconductor devices. A summary of the effects on this study's most concerned semiconductor device: complementary metal-oxide-semiconductor (CMOS) technology is presented below.

For silicon detectors, the bulk damage is mostly damaging to the charge collection rather than to the readout electronics. Atom displacement in the bulk degrades minority carrier lifetime. Typical effect is the degradation of gain and leakage current in bipolar transistor. While the operation of MOS transistors depends on majority carriers, the bulk damage does not have much impact on these devices. Ionizing radiation effects include single event upset (SEU), single event latch-up (SEL), MOSFET threshold voltage shift, etc.

Charges liberated by incident high-energy ionizing particles may collect on a charge storage node (e.g. in RAM) and be sufficient to change the binary state of the circuit. At the expense of increased complexity, these single event upsets (SEU) may be mitigated by triple-majority voting circuits [23].

Latch-up is an inadvertent creation of a low-impedance path, which acts as a short circuit may lead to large current flow and device destruction [24]. In CMOS layouts, two parasitic bipolar transistors together with the CMOS device produce a PNP thyristor structure (Figure 1.10). A transient current pulse from ionizing radiation may force one of the transistors into conducting current, the second one will follow and both of them will bias each other in the positive current feedback loop. A sustainable latch-up action can result in a high operating current which may destroy the device due to excessive heating and metallization. The latch-up action can be removed by powering down the circuit.

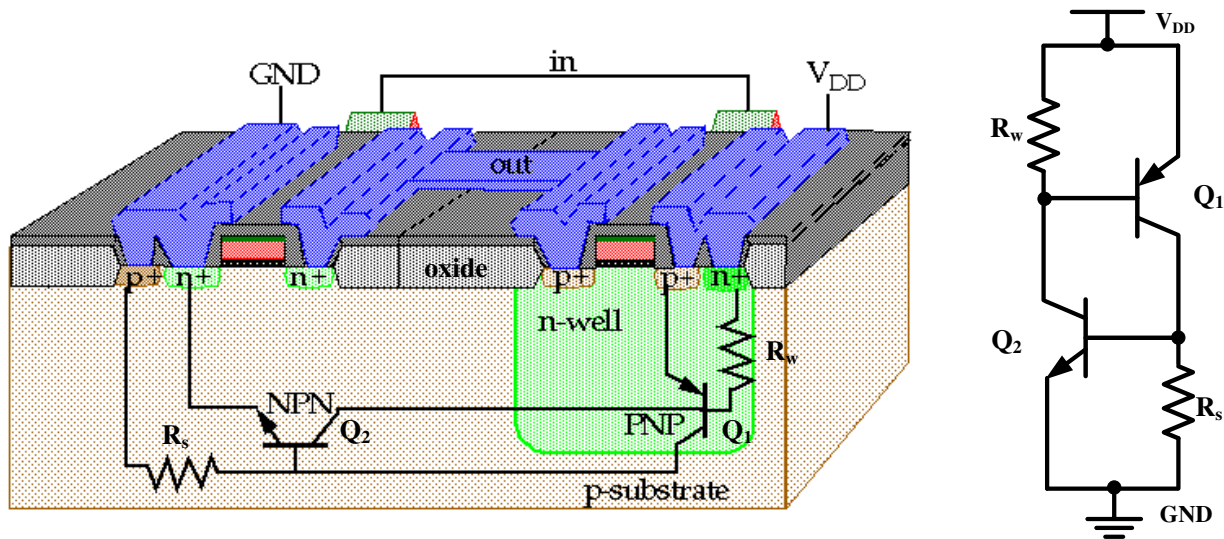


Figure 1.10: A typical CMOS device with elements of a parasitic thyristor.

The shift of MOSFET threshold voltage (V_{th}) is due to hole accumulation at the gate insulation layer [25]. As surface damage described, ionization caused holes are trapped at the Si-SiO₂ interface while more mobile electrons can escape into the gate circuit. The presence of this positive charge means that a more negative gate voltage is required to obtain the same effect as expected. Therefore, a thin oxide layer is desired. In modern sub-micrometer processes used for

integrated circuit fabrication, the gate oxide thickness is significantly reduced compare to older technologies. As being an unwanted effect in general CMOS circuitry, this change in V_{th} also is exploited in radiation dose monitoring [26].

Moreover, these accumulated positive charges may induce short circuits in the design. Shallow surface channels can be created between different n-type regions implanted on the chip if they are separated only by lightly doped p-type silicon. In addition, the charge accumulated at the ends of an NMOS transistor gate with a classical rectangular shape may prevent the device from switching off completely. Both problems can be eliminated by widely used techniques include enclosed NMOS transistor gates and p+- type guard-rings separating n-type regions [27].

1.3.3 Single diode detectors

The ability to resolve individual particles is a desirable capability for any radiation monitor and is essential for particle identification. This could be easily achieved in silicon sensors with a simple p-n junction under reverse bias. The ionizing energy deposited by incident radiation within the depletion region generates e-h pairs; these charges are separated by the electric field and collected at the electrodes. The resulting current pulse is usually forward measured via combined circuits, which may include charge sensitive preamplifier, pulse shaper and digitizer. This ‘pulse height analysis’ allows the total ionizing energy deposit of the event to be recorded.

A variation of the standard p-n junction diode may be created by the inclusion of a central compensated region, where n and p-type impurities are balanced. Due to the similarities of the compensated region with intrinsic (I) silicon, this configuration is known as a PIN diode [28]. Compare with p-n junction, larger electric field could be applied without causing an excessive leakage current or device breakdown, due to this central compensation. Therefore, a larger depletion region which is the sensitive volume is achieved. The reverse bias could be tens to hundreds volts based upon applications. PIN diodes are typically 100-500 μm thick and have surface areas of $\sim 1 \text{ cm}^2$. The sensor’s output observed equivalent noise charge is determined by its capacitance which is proportional to the surface area and inversely proportional to the depletion thickness. Additional noise is also introduced by the discrete readout circuit.

1.3.4 Pixelated detectors

One of the disadvantages of the PIN diode is its limited noise performance. Relative large diode capacitance, large leakage current and discrete readout electronics all contribute to the large equivalent noise (often $\sim 1000 e^-$ obtained in the energy deposit measurement).

A reduction in noise may be obtained by decreasing the size (and hence capacitance) of the sensor. To maintain a useful detection volume this implies the use of pixel arrays, where each pixel is a separate charge collection node on a single die. This segmented configuration has other advantages: for example, allowing imaging (position reconstruction) and windowing (variation of the total sensitive area).

A number of pixel sensor architecture is available; three common varieties are Charge Coupled Devices (CCD), hybrids and CMOS Pixel Sensors (CPS).

CCD

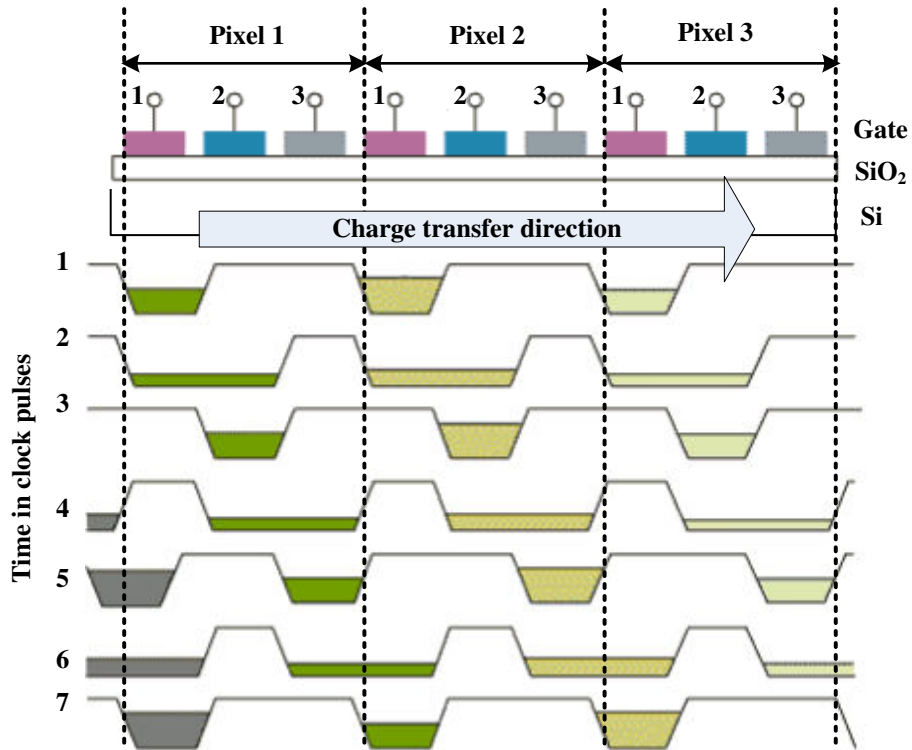


Figure 1.11: Typical CCD detectors with three gates for each pixel.

The basic building block of the CCD is the MOS capacitor which is created on a silicon wafer in arrays. An appropriate voltage applied to the poly-silicon gate changes the electrostatic potential in the silicon and forms a potential well that collects electrons created by incident radiation. The charge is confined in a single well by potential barriers created under neighboring gates in one dimension and channel stopper implants in the second dimension. When a proper biasing sequence is applied to the MOS gates, the stored charge packets can be transferred in parallel along each column in a shift-register way (Figure 1.11). A serial shift register is located at the bottom of the column that allows shifting samples to an output node for charge to voltage conversion. The columns of charge may be transferred and read one at a time. For faster applications, the entire frame of charges may be transferred to an almost identical array used for storage.

CCDs are not only widely used in consumer electronics as visible light sensors, but also known to be effective at collecting ionization charge from particle interactions [29]; they have been used as particle tracking detectors [30] and investigated for use in space radiation monitors [31].

However, such space radiation monitors have not been adopted in practice; this may be due to CCD radiation damage sensitivity [32].

A further problem is that most devices available commercially have a large number of pixels (>100,000) making them unsuitable for applications with low bandwidth or limited processing ability. This problem is compounded by the relative complexity of using CCDs, which must be supplied with several voltages and clock signals. Moreover, small volume production of application specific CCDs is not generally economic due to the specialized process requirements.

Hybrid pixel sensors

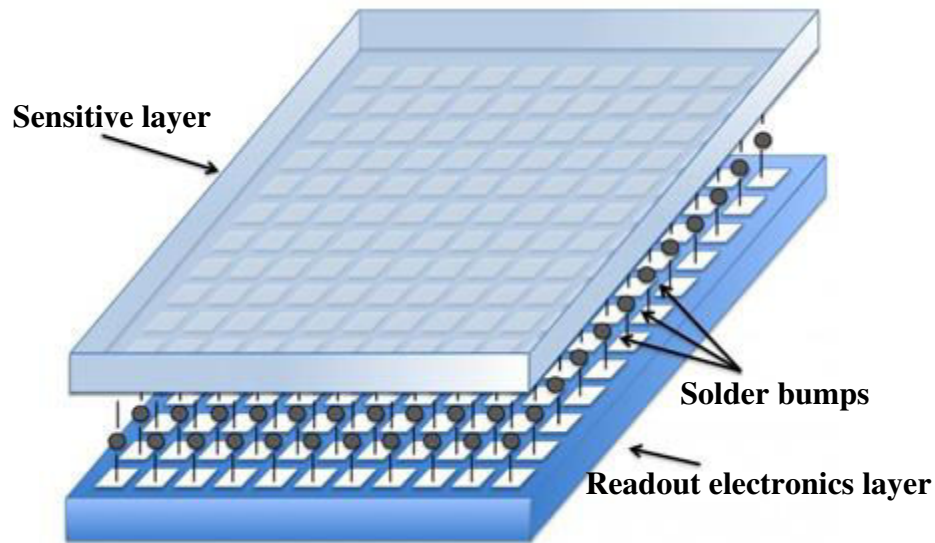


Figure 1.12: Illustration of a hybrid pixel detector.

Hybrid pixel detectors are built from two independently processed layers (Figure 1.12). One layer, based on high-resistivity silicon substrate or other semiconductor material, is the sensitive volume of the detector. The second layer contains the readout electronics, typically developed in a standard CMOS process. Both layers are connected together using the flip-chip and bump-bonding techniques [33]. This hybrid construction gives the advantages that the two layers could be constructed with different materials, each optimized for their different tasks. The choice of sensor chip material may be tailored to the intended radiation environment, while the readout chip may be manufactured in processes intended for very large scale integrated electronics. Typically the active volume is fully depleted to allow fast charge collection that also translates to a higher immunity to radiation. It also allows a high pixel density over large areas with significant analysis circuitry per pixel.

However, they still have several disadvantages that may limit their practical use: high complex and labor-intensive chip bonding process; relatively high power dissipation (a few hundred of mW/cm^2).

CMOS Pixel Sensors

CPS consist an array of pixels, each pixel contains a sensing diode which is used for collecting the charges created by incident radiation. These collection diodes are formed by a low resistivity p-doped silicon substrate with n-wells implanted in a thin (14-20 μm) p-type epitaxial layer. Further processing electronics are easily integrated with the sensor part in the same substrate. A cross section view of CPS pixel is illustrated in Figure 1.13.

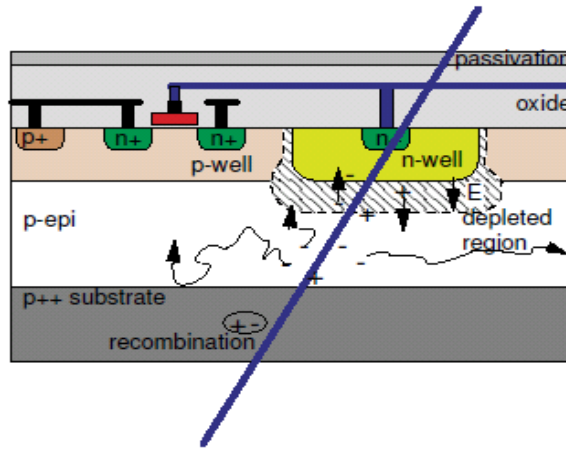


Figure 1.13: Cross section view of a CPS pixel.

A major difference between the CPS with a classical detector for charged particle detection is its active volume is not fully depleted; this is due to the limited possible sub-micro technologies support bias voltages. Hence, the charge carriers are collected via thermal diffusion from interactions in the epitaxial layer, instead of by a strong electric field. As described in Figure 1.13, the epitaxial layer lies between two highly doped regions: the p++ substrate and the p-well. The doping levels of the p-well and p++ substrate are three orders of magnitude higher than the epitaxial one, resulting in potential barriers at the region boundaries which act like mirrors and limit the diffusion of the electrons. The charge carriers generated in the substrate will quickly recombine and only a small fraction will reach the active layer. The liberated electrons diffuse thermally inside the epitaxial layer and are collected by the regularly implanted n-wells. Normally, the distance between two adjacent n-wells defines the pixel size, referred to as *pitch*. The diffusing charges generated from a single incident radiation are generally shared among several neighboring pixels, and those pixels form a *cluster*. Device simulations at the physical level showed the collection time for a typical pixel pitch of 30 μm , to be less than 100 ns [16]. The current induced by the collected electrons is integrated on the n-well/p-epi junction capacitance, resulting in a voltage drop on the collection diode, which could be processed by further readout electronics.

CMOS Pixel Sensors have already found widespread use for various applications, ranging from consumer electronics to visible light imaging [34] and high-energy physics [35]. These sensors

are fabricated in standard CMOS VLSI technologies commonly used for modern integrated circuit manufacturing, and are generally classified as Passive Pixel Sensors (PPS) and Active Pixel Sensors (APS). For the case of charged particle detection, the APS structure is favorable. Different with the PPS structure, which use just a simple selecting switch in each pixel to readout the sensing diode integrated charge; APS integrate an additional stage of amplifier within each pixel that makes it possible to perform several processing operations independently on each pixel before signals are transferred to the common processing blocks. The APS are also called MAPS (Monolithic Active Pixel Sensors) for the fact that signal sensing part and processing electronics share the same substrate. Despite, it is a relative new approach comparing to the well-established technologies such as CCD and hybrid detectors for charged particle detections; MAPS have several practical advantages, including:

1. High granularity: a pixel size of $10 \times 10 \mu\text{m}^2$ or even smaller is possible. This feature is critical in position sensitive applications such as particle tracking. Also, for the reason that each pixel performs as a single detector, with the same reasonable sensitive area, pixelated sensors have more potential to cope with higher flux environment comparing to single diode detectors;
2. A wide range of readout and digitization electronics could be integrated on the same chip with the pixel array. These are easily fabricated in the same commercial CMOS process, which leads to many benefits such as low cost, small size, low power consumption, high level data information, etc.;
3. Excellent noise performance (equivalent noise charge values less than ten electrons per pixel [36]): This is due to the low leakage current and low capacitance of the pixel diode, which results primarily from its small size;
4. The 14-20 μm thick sensitive epitaxial layers. This gives an expected signal due to a minimum-ionizing particle (MIP) at normal incidence of approximately 1000 electrons; combined with its noise performance, a high signal-to-noise ratio is achievable;
5. Its sensitive layer (epitaxial layer) is underneath the readout electronics allows MAPS having 100% fill factor which is necessary in most of particle physics applications;
6. The overall thickness may be varied in the range 50-250 μm by back-thinning the substrate using a commercial post-processing; this allows a variable amount of material to be present between the sensors in a telescope without affecting the sensor's performance;
7. Good radiation tolerance ($>100\text{k Rad}$ & 10^{12}neq/cm^2). Modern deep sub-micron technologies provide intrinsic radiation hardness of MAPS; in addition, design techniques have been developed to further increase its tolerance to radiation [37, 38].

MAPS also suffer from a few limitations. The first one is from the same feature that brings MAPS many benefits which is the using of commercial CMOS process fabrication. The fabrication parameters (doping profile, thickness of the epitaxial layer, etc.) are not optimized for particle detection. The choice of industrial processes is often driven by epitaxial layer characteristics, at the expense of the signal processing circuitry parameters (feature size, number

of metal layers. Moreover, the use of PMOS transistors inside the pixel array is restricted in most processes, thus limiting signal processing functionalities inside pixels. The second limitation originates from the almost undepleted sensitive volume, which impacts or radiation tolerance and charge collection speed.

1.4 Conclusion

With all these previous mentioned potential advantages, MPAS has become a promising candidate in several radiation detection applications. One of them is space radiation monitoring. Space radiation environment consists various species high flux (may reach several $10^7/\text{cm}^2/\text{s}$) particles with large energy range. Therefore, dosimeter function, particle rate meter function and particle species identification function are all required for the detectors used in this application. Meanwhile, on board satellite operation makes highly miniaturized, high level information providing capability very desired features.

MAPS being monolithic full detection systems, have the potential to match all these requirements and offer additional advantages including low power, low weight, low fabrication cost and advanced radiation tolerance. CMOS image sensor is being used to develop a highly miniaturized radiation monitor (HMRM) [39]. However, none investigation of MAPS dedicated designed for this application has been made.

Therefore, the most general question for this study would be: can we design MAPS with deposited energy measurement capability taking advantage of granularity to cope with high flux?

Previous works by the PISCEL group (Physics with Integrated CMOS Sensors and Electron colliders) of IPHC demonstrated that MAPS reach excellent performances for charged particle tracking in high energy physics. While, several major items differentiate tracking particles on a ground large experiment and radiation monitoring in space.

First of all, the energy range of particles to be detected is much larger for the new application in space. Indeed, according to NASA models [40, 41], the Earth's radiation belt mostly consists of protons from about 100 keV up to 400 MeV and electrons from 10 keV up to 10 MeV.

Second of all, the radiation monitor does not need to locate the particles impact but just to separate them in order to count. The dose is then evaluated by the sum of the energy measured. Expectation of the highest particle omnidirectional flux ranges from $10^3/\text{cm}^2/\text{s}$ to several $10^7/\text{cm}^2/\text{s}$.

Finally, contrary to ground experiment where large signal treatment power can be available aside the sensor, an instrument on board a satellite shall provide high level information by itself.

The challenge of this thesis is to demonstrate both the sensitivity of CPS to the expected radiations and the ability to integrate directly on the chip the data processing which turns the sensor into a really autonomous dosimeter.

Bibliography

- [1] H. Bethe. Zur theorie des durchgangs schneller korpuskularstrahlen durch materie. *Ann. Physik*, 397:325–400, 1930.
- [2] H. A. Bethe. Molière's theory of multiple scattering. *Phys. Rev.*, 89:1256–1266, 1953.
- [3] N. J. Carron. *An introduction to the passage of energetic particles through matter*. Taylor and Francis, 2006.
- [4] J. Beringer et al. (Particle Data Group). Review of particle physics. *Phys. Rev. D*, 86:010001, 2012.
- [5] M. J. Berger et al. ESTAR: Electron stopping power and range. *National Institute of Standards and Technology*, <http://physics.nist.gov/PhysRefData/Star/Text/ESTAR.html>.
- [6] Glenn F. Knoll. *Radiation detection and measurement*. Second edition. 1989.
- [7] National Institute of Standards and Technology, Physical Means. Laboratory. Stopping- power and range tables for protons/electrons. <http://physics.nist.gov/PhysRefData/Star/Text/PSTAR.html>
- [8] W. H. Barkas et al. Mass-ratio method applied to the measurement of l-meson masses and the energy balance in pion decay. *Phys. Rev.*, 101:778, 1956.
- [9] F. Bloch. Zur bremsung rasch bewegter teilchen beim durchgang durch materie. *Ann. Physik*, 408:285–320, 1933.
- [10] J. F. Ziegler. Stopping of energetic light ions in elemental matter. *J. appl. phys.*, 85:1249–1272, 1999.
- [11] L. Landau, *On the energy loss of fast particles by ionization*, *J. Phs. (USSR)*, vol. 8, p. 201, 1994.
- [12] K. Nakamura et al., *Particle Data Group: Review of Particle Physics*, *J. Phys. G*, vol. 37, 2010.
- [13] G. Hall. Ionisation energy losses of highly relativistic charged particles in thin silicon layers. *Nucl. Instrum. Methods*, 220:356–362, 1984.
- [14] Walter D. Loveland et al. *Modern nuclear chemistry*. 2006
- [15] M. S. Tyagi, *Introduction of Semiconductor Materials and Devices*, *John Wiley & Sons*, 1991
- [16] G. Deptuch. New generation of monolithic active pixel sensors for charged particle detection, *Ph.D. dissertation, Université Louis Pasteur, Strasbourg, France*, 2002.
- [17] W. Shockley. Currents to conductors induced by a moving point charge. *Journal of Applied Physics*, vol. 9, no. 10, pp. 635–636, 1938.
- [18] S. Ramo. Currents induced by electron motion. *Proceedings of the IRE*, vol. 27 no. 9, pp. 584–585, sept.1939.
- [19] M. W. Thompson. *Defects and radiation damage in metals*. *Cambridge University Press*. 1969

- [20] J. W. Corbett. Electron radiation damage in semiconductors and metals. *Academic Press*, 1966.
- [21] Pitzl, D et al. Type inversion in silicon detectors. *Nuclear Instruments and Methods in Physics Research Section A*, Volume 311, Issue 1-2, p. 98–104.
- [22] L. Do Thanh et al. Elimination and Generation of Si-SiO₂ interface traps by low temperature hydrogen annealing. *Journal of the Electrochemical Society*. 1988
- [23] L. Rossi *et al.* *Pixel detectors from fundamentals to applications*. Springer, 2006
- [24] H. L. Hughes and J. M. Benedetto. Radiation effects and hardening of MOS technology: devices and circuits. *IEEE Trans. Nuc. Sci.*, 50:500–521, 2003.
- [25] G. Lutz. *Semiconductor radiation detectors*. Springer, 1999
- [26] S-J. Kim *et al.* Use of a MOSFET for radiation monitoring in space and comparison with the NASA trapped particle model. *J. Korean Phy. Soc.*, 48:865–869, 2006
- [27] G. Anelli et al. Radiation tolerant VLSI circuits in standard deep submicron CMOS technologies for the LHC experiments: Practical design aspects. *IEEE Trans. Nuc. Sci.*, 46:1690–1696, 1999
- [28] B. Doherty. *PIN Diode Fundamentals*. Watertown, MA: Microsemi Corp., MicroNote Series 701.
- [29] T. S. Lomheim et al. Imaging charge-couple device (CCD) transient response to 17 and 50 MeV proton and heavy-ion irradiation. *IEEE Trans. Nuc. Sci.*, 37:1876-1885, 1990.
- [30] S. Watts. Ccd vertex detectors. *Nucl. Instrum. Methods Phys. Res., Sect. A*, vol. 265, pp. 99-104, 1988.
- [31] A. M. Chugg et al. A CCD miniature radiation monitor. *IEEE Trans. Nuc. Sci.*, 49:1327-1332, 2002.
- [32] J. Janesick. *Scientific Charge-Coupled Devices*. Washington, USA: SPIE- The International Society for Optical Engineering, 2001.
- [33] M. Caccia. The challenge of hybridization. *Nucl. Instrum. Methods Phys. Res., Sect. A*, vol. 465, pp. 195-199, 2001.
- [34] S. Mendis *et al.* CMOS active pixel image sensor. *IEEE Trans. Electron. Dev.*, 41:452-453, 1994.
- [35] S. Heini et al. A MOS Current-Mode Active Pixel Sensor for High Energy Physics and Biomedical Imaging Applications. *IEEE Trans. Nuc. Sci.* vol.56, pp.346-353, 2009.
- [36] R. E. Coath *et al.* A low noise pixel architecture for scientific CMOS monolithic active pixel sensors. *IEEE Trans. Nuc. Sci.*, 57:2490-2496, 2010.
- [37] W. Dulinski *et al.* Radiation hardness study of an APS CMOS particle tracker. In *IEEE Nucl. Sci. Conf. R.*, volume 1, pages 100-103, 2001.

- [38] E. S. Eid *et al.* Design and characterization of ionizing radiation-tolerant CMOS APS image sensors up to 30 Mrd (Si) total dose. *IEEE Trans. Nuc. Sci.*, 48:1796-1806, 2001.
- [39] N. Guerrini *et al.* Design and characterization of a highly miniaturized radiation monitor HMRM. *nucl. Instrum. Methods Phys. Res., Sect. A*, vol. 731, pp. 154-159, 2013.
- [40] D.M.Sawyer and J. I. Vette, AP-8 trapped proton environment for solar maximum and solar minimum, 1976 NASA TM-X-72605.
- [41] J. I. Vette, *The AE-8 trapped electron model environment*, 1991 NSSDC/WDC-A-R&S 91-24.

Chapter 2

MAPS for particle tracking detection

MAPS used for high energy charged particle tracking have been significantly developed over the past more than a dozen years. To meet with the increasing need of high performance flavor tagging capabilities in particle physics experiments, in 1999, the IReS-LEPSI group proposed the idea of using MAPS devices for high-energy charged particle tracking [1, 2]. Since that time, the ability of the monolithic CMOS pixel sensors to provide charged particle tracking has been demonstrated in a series of MIMOSA (Minimum Ionizing particle MOS Active pixel sensor) prototypes.

This thesis was extended from the state-of-the-art CPS development performed by the CMOS research group at IPHC. The following sections describe the development specifications for particle tracking detection; the optimizations of MAPS to meet these contradictory requirements; the the design and performances of MIMOSA 26 which is the first full scale CMOS sensor with high read-out speed and integrated zero suppression [3]; and finally, based on these discussions, conclude this chapter with the proposed MAPS architecture for the new application: space radiation monitoring.

2.1 Specifications for particle tracking

Subatomic physics experiments express a growing need for very high performance flavor tagging with emphasis on short lived particles (e.g. charmed mesons) through their decay vertex. This calls for an excellent vertexing and tracking system in order to reconstruct displaced vertices and to measure precisely track momenta. The specifications for sensor design optimization are imposed both from the physics goals of the experiment and its running environment. It is a huge challenge for sensor design to meet all these requirements, since they often conflict with each other. For instance, the very high single point resolution implies a highly segmented sensor. This comes in contradiction with the rather fast readout speed, imposed by the beam induced

background. Moreover, the big number of columns of a highly segmented sensor increased the power consumption, which may translate in a complex cooling system or degraded sensor performance. In this section, we are going to explain these trade-offs.

2.1.1 Physics goals Driven Specifications

Those short lived particles firstly fly over distances as short as a few hundred micrometers from the interaction point and they decay into secondary more stable particles, which can be detected in the vertex detector. An outstanding spatial resolution in the order of several micrometers, provided by a high precision vertex detector, is required for reconstructing the decay vertex from these particles.

Granularity

The spatial resolution is in fact equivalent to the error on the real hit position, it delivered by a detector mostly on the geometry of the detector segments. Therefore, the most critical parameter is the pitch of pixels. In order to optimize the spatial resolution performance, the sensor has to target with fine granularity. For tracks that are randomly spread, differences between the true positions and the measured ones have a Gaussian distribution with the standard deviation σ given by

$$\sigma^2 = \int_{-p/2}^{p/2} \frac{x^2}{p} dx = \frac{p^2}{12} \quad (2.1)$$

where p is the segment pitch size in a given direction. Simply considering the seed pixel, the hit position resolution is defined by the segment pitch divided by $\sqrt{12}$. For a pixel size of $30 \mu\text{m} \times 30 \mu\text{m}$, the resolution theoretically reaches about $8.5 \mu\text{m}$.

This value can be further decreased to a few micrometers by using of center-of-gravity or η algorithms which are taking advantage of charge sharing between neighboring segments that form clusters [4]. An analogue sensor is mandatory to perform these algorithms.

Thickness

The spatial resolution has to be complemented by a very light and thin material budget, ensuring that particles traversing the detector will only be slightly affected by multiple scattering, which affects the direction of particles thus fooling the reconstruction of their trajectory and their spatial origin. CMOS pixel sensors can be thinned to a few tens of μm without affecting the performance which is a particularly attractive advantage comparing with other pixelated sensors.

2.1.2 Environment Driven Specifications

Vertex reconstruction is performed by extrapolating tracks measured by different layers of sensors. In order to get the shortest extrapolation length, the vertex detector is always as close as possible to the particle collision interaction point (several centimeters in general). Being the inner

most layer, the running environment of vertex detector also brings some constraints, which play a major role on the detector design.

Radiation Tolerance

Obviously, the innermost layer of the detector will be subject to the biggest rate of radiation background, thus suffers from severe radiation damage. For instance, the high center-of-mass energy of the future ILC (International Linear Collider) will be as high as 500 GeV. For 3 years operation, the radiation hardness requirements are ~ 150 kRad for ionising radiation and $\leq 2 \times 10^{11}$ n_{eq}/cm^2 for the non-ionising radiation [5].

Speed

A very high readout speed is required in order to avoid the problem of pile up, appearing when two or more particles simultaneously touch the same area of the detector. Obviously, the solution of the problem is to increase the readout speed: to take away the information as fast as possible, so that the probability of pile up reduces.

Cooling System & Power dissipation

The performances of detectors' readout electronics will be degraded by the increasing of operation temperature which is coming from its own power dissipation. To keep detectors a stable performance, cooling system or very low power dissipation is required.

However, cooling system for vertex detector is a crucial element of the design, since it is introducing additional material which would increase the multiple scattering along particle path. Being located outside the detector volume does not affect its performance, but may impact the outer tracking performances and the particle flow analysis. Therefore, no extremely sophisticated cooling system is allowed.

There are two methods to keep low power dissipation. One way is control the time structure of the particles beam, so the sensors can be switched off between power cycling. The other way is just keep the power consumption of the sensor itself as low as possible.

2.2 MAPS technology

In summary, the physics goals and running conditions call for sensor technologies that offer a high granularity, low material budget, low power dissipation, high readout speed and moderate radiation tolerance. Currently, no present technology can satisfy all the above requirements perfectly. As previously described (Chapter 1, section 1.3.4), all the practical advantages make MAPS a very promising technology for this application. Over the past years, tremendous efforts have been made by the PIXEL group in IPHC to optimize MAPS for all the requirements through a series of MIMOSA prototypes, significant improvements have been obtained [6].

2.2.1 Global architecture and fast readout strategy

With the same granularity, analogue sensor allows for a finer spatial resolution than the one expected from binary positioning algorithm. However, analogue data output is relatively slow, and expect a high data flow that may set severe requirements on the Data Acquisition (DAQ) system. With the concern of speed and release the stress on DAQ system, the data sparsification should take place as close as possible to the sensing pixels arrays. One approach could be integrating the whole data sparsification functionalities inside the pixel. This could reduce the non-sensitive area, so material budget of the detector; while, the complex signal processing will lead to the increase of pixel pitch size, thus degrading the single point resolution. A viable solution is to increase the readout speed of the pixels arrays and integrate the data sparsification logic on the periphery of the sensor.

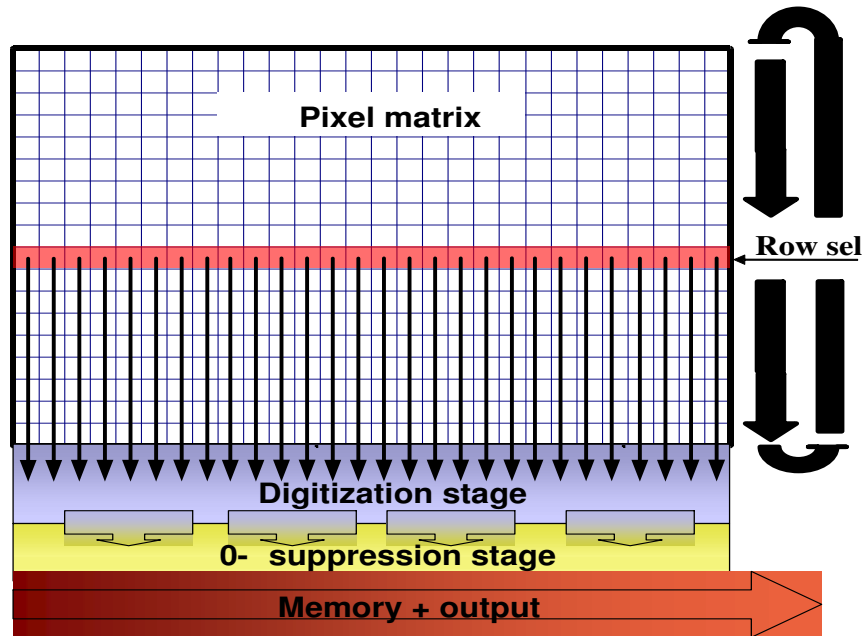


Figure 2.1: Column parallel readout principle [7].

It takes only ~ 100 ns for the charge collection by diffusion in a pixel with an un-depleted epitaxial layer. Therefore, the time resolution of MAPS is limited by the time needed to obtain the information from all the pixels of the sensor as well as the pixel occupancy.

In order to increase the readout speed without sacrifice too much power consumption; column parallel readout (called rolling shutter as well) mode is a viable solution for the readout of the MAPS. As illustrated in Fig. 2.1, pixels are addressing sequentially row by row, the output of pixels in one column are multiplexed in a single bus. Pixels in a same row are reading simultaneously to reduce the time needed for reading the whole matrix; each time, only a single row of pixels are working, other pixels are switched off to save the power. The sparsification is

provided by discriminators, located at the bottom of each column and being common for all the pixels of a column.

For a real size sensor ($\sim 10^6$ pixels, ~ 1000 rows and ~ 1000 columns), working in a high speed (~ 10 k frames/s), the data flow (~ 10 Gbits/s) provided by discriminators is a great challenge for transmission which also leads to more complex electronics and higher power dissipation. The best option would be to integrate a zero suppression block on the sensor itself. The data suppression level (between 10 and 1000) depends on the pixel occupancy.

2.2.2 Basic pixel architectures

Pixel is the sensitive part of MAPS, it could directly affect the performances of the detector, for instance radiation tolerance, detection efficiency, fake hit rate, etc. For radiation tolerance optimization, many different diode layouts were tested to minimize the dark current and its increase due to radiation, various CMOS technologies with different epitaxial layer thickness and resistivity have been tried [8]. High detection efficiency (close to 100%) and low fake hit rate (close to 0) are both key parameters to ensure an accurate tracking performance, besides high granularity. However, it is always a trade-off between efficiency and fake hit rate which are determined by the applied threshold on the signal-to-noise ratio (SNR). A high SNR value is essential for high efficiency and low fake hit rate in the same time.

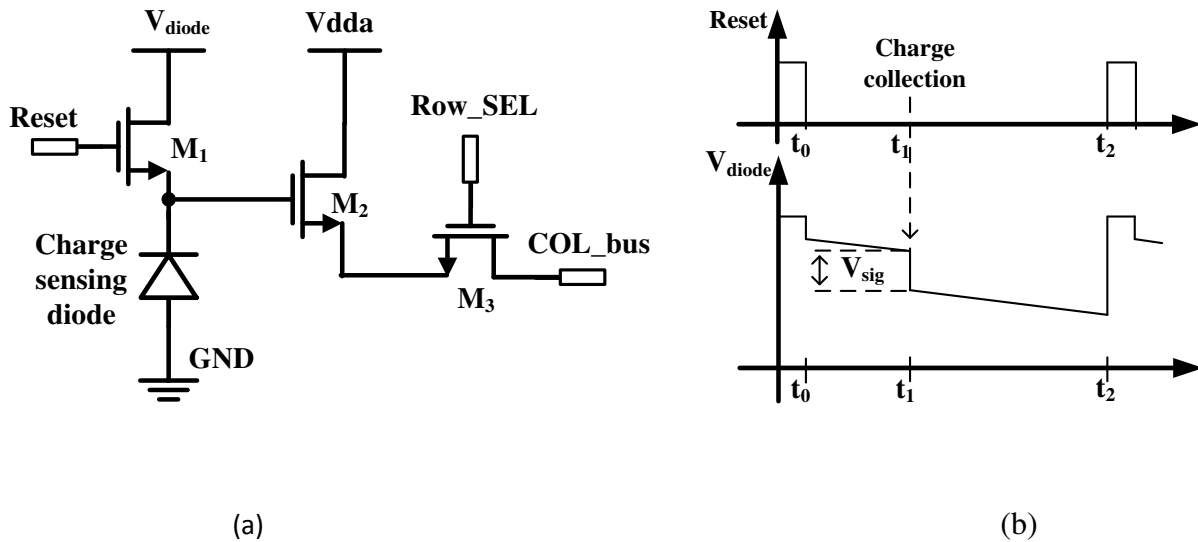


Figure 2.2: The classical single pixel cell: (a) schematic, (b) timing diagram showing the operation and the signal shape.

The basic single pixel readout architecture, consisting of three transistors and the charge sensing diode [9], is schematically presented in Fig. 2.2 (a). The transistor M_1 resets the diode to the reverse bias, and the transistor M_2 operates as a source follower connected to a row selection

switch (M_3). The charge is integrated within the time separated by two consecutive reset operations and observed as a voltage drop on the floating n-well/p-substrate diode. The current source for the source follower (SF) is placed outside the pixel. The leakage current (several fA at room temperature) leads to a signal offset which depends strongly on the integration time. This offset is referred to as pedestal, and varies from pixel to pixel due to the dispersion of process parameters. In applications with high signal intensity or large signals, this reset structure would ensure the diode recover quickly and completely for the following incident.

Another pixel architecture (Fig. 2.3), based on the two diodes reversely connected together, was proposed for application of low signal intensity and small signals [10]. The charge sensing diode (D_1) is also reverse biased as in the reset structure, while the load diode (D_2) is forward biased. When the reverse biased diode D_1 collects charge, the voltage on the diode drops and a slow discharging begins. The discharge time constant is defined by the equivalent resistance of the forward biased diode D_2 and the capacitance of the diode D_1 . This structure is often referred to as a self-biased (SB) pixel. Compared to the reset structure, this SB pixel is free from reset noise and signal offset.

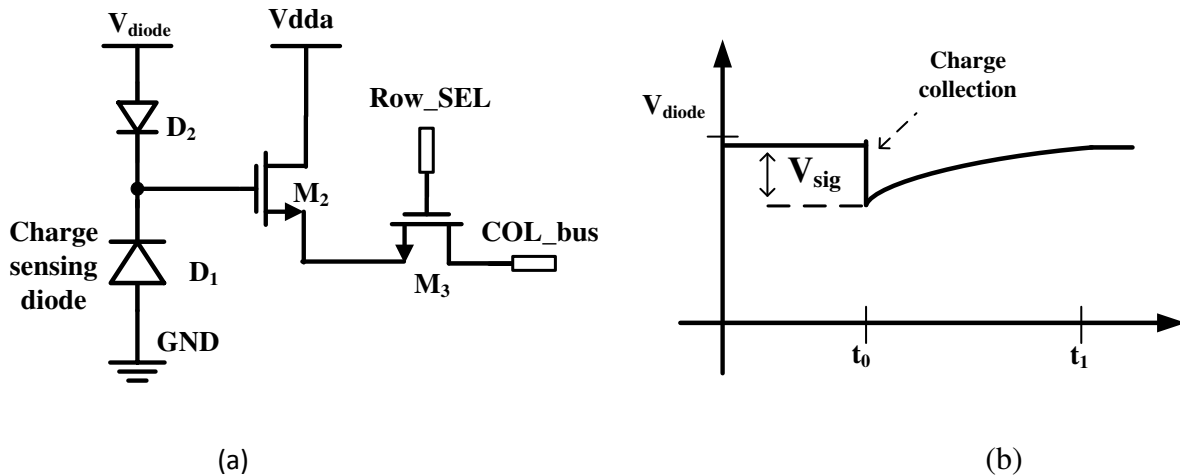


Figure 2.3: Self-biased pixel cell: (a) schematic, (b) timing diagram showing the operation and the signal shape.

As aforementioned, the amount of charge generated by a normal impinging MIP for typical epitaxial thickness is $\sim 1000 e^-$. Since the charges are expected to be shared between neighboring pixels, the amount of charge collected by a single diode is usually only a few hundreds of electrons. In both these two structure, the voltage signal generated on the charge sensing diode, typically being of the order of several mV, is then readout by a source follower with a gain factor about 0.7-0.8. Such a weak signal can be easily affected by the electronic noise. Thus the signal amplification in each pixel is necessary to minimize the noise contribution of the readout chain and to increase the readout flexibility as well as on-chip processing capabilities. Different in-pixel amplifier architectures have been studied and implemented in many MIMOSA prototypes,

and the detailed descriptions can be found in [11]. A further optimization of in-pixel amplifiers are addressed in [12].

2.2.3 Sources of Noise in MAPS

The origins of the noise in a CMOS sensor can be generally divided in 2 main categories, the Fixed Pattern Noise (FPN) and the Temporal Noise (TN).

2.2.3.1 Fixed Pattern Noise (FPN)

Inside the pixels matrix, the sensing diode output voltage pedestal varies from one pixel to another. FPN is defined as the standard deviation of the pedestal distribution. In order to measure the signal, FPN needs to be subtracted from the pixel's response. It originates from mask production mismatches, doping concentration variations, or a contamination during the CMOS fabrication processes.

2.2.3.2 Temporal Noise (TN)

When the pixel's input is constant, the temporal fluctuation of its output is described as temporal noise. For MAPS used in MIP detection, due to the signal is low (several mV on the diode), the temporal noise can significantly influence the SNR, thus influence the sensor performance. Its main sources are shot noise, thermal noise and 1/f (flicker) noise.

The shot noise is originates from the discrete nature of electric charge. In electronic circuits, the current flow is not continuous but randomly fluctuates. At the microscopic level, the unpredictable variation of the current is called shot noise.

The thermal noise is the electronic noise generated by the thermal agitation of the charge carriers (usually the electrons) inside an electrical conductor at equilibrium, which happens regardless of any applied voltage. The thermal noise is approximately a white noise; its power spectral density is nearly constant throughout the frequency spectrum. When limited to a finite bandwidth, it has a nearly Gaussian amplitude distribution.

The 1/f noise is a type of electronic noise (also called flicker noise) featuring a power spectral density inversely proportional to the frequency. It occurs in almost all electronic devices. In the CMOS sensors, it is originating predominantly from MOS transistors.

The analysis of TN is quite complicate in real sensors, since the noise is not stationary and the circuit is not time invariant. A complete and rigorous analysis can be found in [13]. For the purpose of this thesis, the noise sources in the basic reset pixel structure (Fig. 2.2) are analyzed for each operation phase.

Noise during the reset phase: during the reset phase, the gate of the reset transistor M_1 is set to the potential of the power supply; M_1 starts to conduct the current to restore the charges on the

sensing diode, the fluctuations of its flow lead to a shot noise. The mean square value of the reset noise is given by [14]:

$$\overline{V_{reset}^2} = \frac{1}{2} \frac{k \cdot T}{C_{diode}} \quad (2.2)$$

Where k is the Boltzman constant, T is the absolute temperature, and C_{diode} is the parasitic capacitance of the sensing diode.

This reset noise expressed in equivalent charge units can reach a few tens of electrons, it is not negligible comparing with a signal of a few hundreds electrons. This noise can be efficiently reduced by the CDS operation.

Noise during the integration phase: after the reset phase, the diode integrates the signal charge. In this phase, the main contribution is from the shot noise caused by the fluctuation of the diode leakage current. Its mean square value is given by:

$$\overline{V_{integration}^2} = \frac{q \cdot I_{leakage}}{C_{diode}^2} \cdot t_{integration} \quad (2.3)$$

Where q is the electric charge, $I_{leakage}$ is the leakage current of sensing diode, C_{diode} is the sensing diode parasitic capacitance, and $t_{integration}$ is the integration time.

Typically, the diode leakage current before irradiation is on the order of a few fA at room temperature. For a 1 fA leakage current, if the integration time is 100 μ s, the shot noise contribution is $\sim 1 e^-$. With a fast readout, the shot noise contribution gets marginal. However, the leakage current may increase to a few hundreds of fA after a certain amount of irradiation (> 1 Mrad); the temporal noise could also increase to a few tens of electrons and becomes significant. The reduction of this noise can be achieved by decreasing the integration time or reducing the leakage current. Cooling the sensor can suppress the leakage current efficiently.

Noise during the readout phase: During the readout phase, the temporal noise originates from all the transistors composing the readout chain (e.g., M_2 , M_3 shown in Fig. 2.2). In the column parallel readout mode, the outputs of pixels in one column are multiplexed in a single bus with the column capacitance value C_{load} . The noise contribution of each transistor is proportional to kT/C_{load} and is a function of their transistor parameters. It can be reduced by careful selection of transistor parameters (e.g., transistor channel transconductance g_m , output drain conductance of transistor g_{ds}) and the load capacitance value.

2.2.3.3 Correlated Double Sampling and Random Telegraph Signal (RTS) noise

Other than introducing in pixel amplification, the implementation of correlated double sampling (CDS) in pixel is a different approach to improve the pixel SNR performance. During the readout of the sensor, two samples are taken. The first sample is subtracted from the second in order to recognize possible signals. As illustrated in Fig. 2.4, a preamplifier stage is implemented nearby

the sensing diode. It is active only when the row is selected to be read which reduces the power consumption. A serially connected capacitor and a clamping switch are used for the double sampling. A source follower and a row select switch are employed to output the signal. Another group switch is used for large pixel arrays ($\sim 2 \times 2 \text{ cm}^2$) to reduce the column line capacitance thus to increase the readout speed. RD and CALIB are column-level commands and are used to memorize the output signal level and the reference level of the pixel output stage. This double sampling operation eliminates the FPN and reset noise which has a large contribution to TN; it also reduces rejects most of the flicker noise ($1/f$). The in-pixel amplifiers combined with in-pixel CDS circuitry are commonly used in the MIMOSA prototypes after MIMOSA-6.

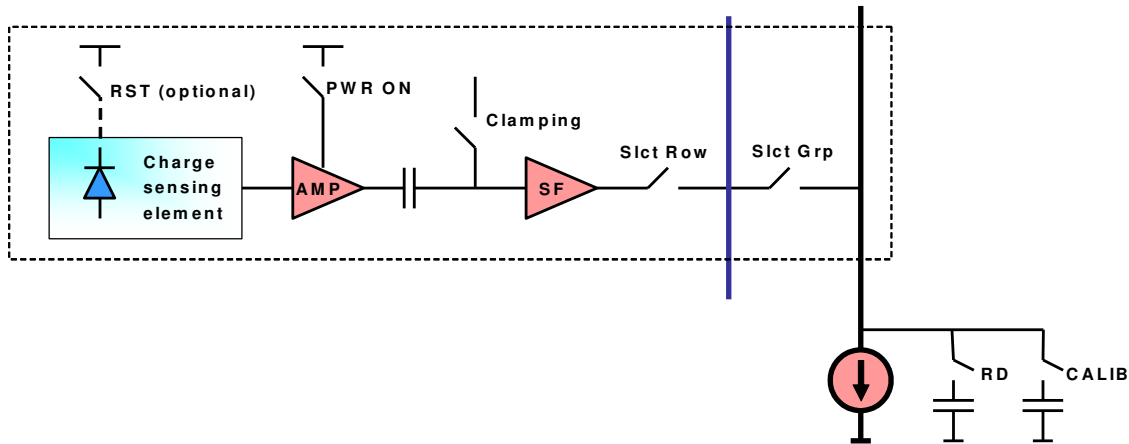


Figure 2.4: Pixel topology with in pixel amplification and CDS.

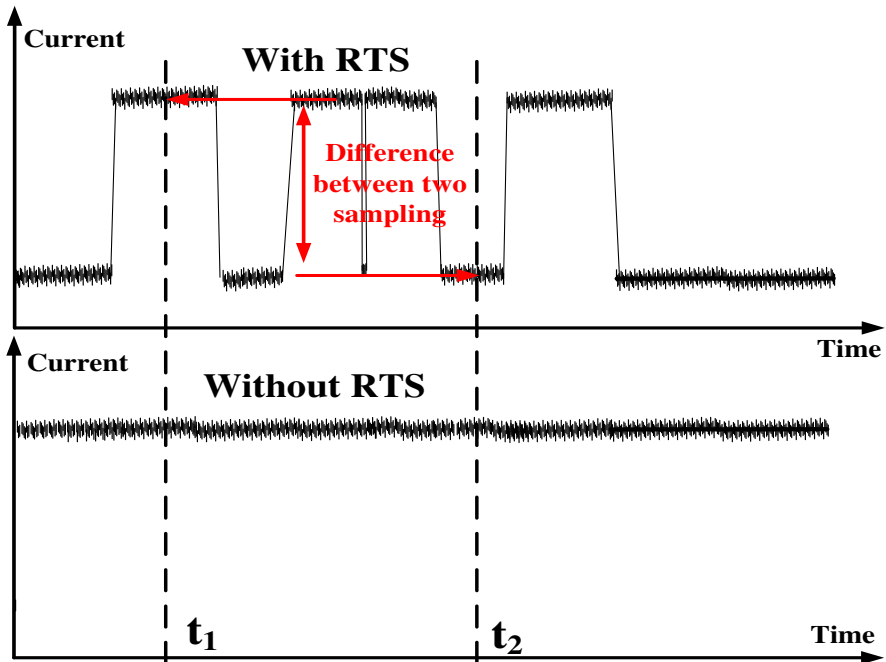


Figure 2.5: Illustration of Random Telegraph Signal (RTS).

However, for MPAS used in MIP detection or other low signal sensitivity applications, this noise reduction brings another issue which is the RTS noise. The current fluctuation phenomenon is seen in small area devices, such as the sensing diode leakage current and drain current of the transistor (gate area $<1 \mu\text{m}^2$) in CMOS sensor. As illustrated in Fig. 2.5, the multi-bistable current waveform on the top of the figure is known as RTS noise. It originates from individual traps in the oxide near Si/SiO₂ interface. The times t_1 and t_2 correspond to the time when the two samples required for the CDS operation are taken. In the case of RTS, the CDS operation may result in a signal equal to the difference between two current levels which could be recognized as a signal generated by an impinging particle.

The feature of RTS noise impact on the sensor output noise spatial distribution is shown in Fig. 2.6. It has a non-gaussian shape with a positive skew which means a big number of “quiet pixels” with a small number of “noisy pixels”. This positive skew comes from the significant RTS noise of the in-pixel source follower impacting on the sensor output noise response. The sensor’s RTS performance is strongly dependent on the process quality and characteristics such as: biasing, readout architecture, operation speed, temperature, radiation species and radiation levels. For a given process conditions the main parameter for improving the array RTS noise non uniformity is the channel length of the source follower [16].

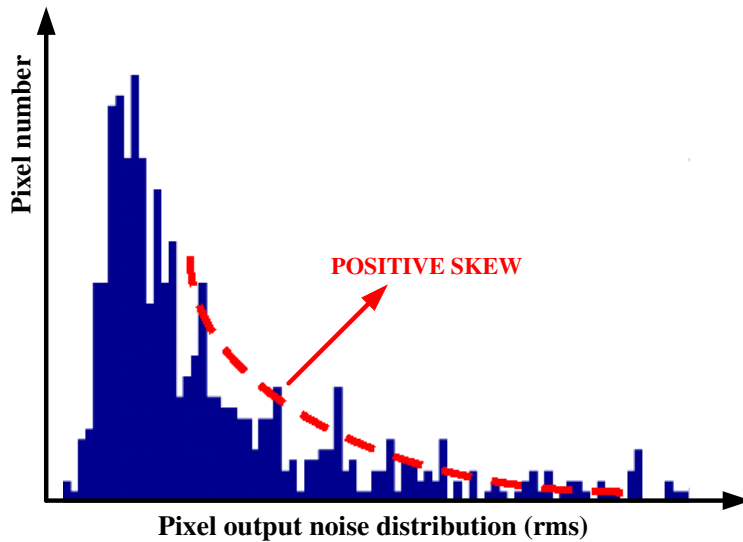


Figure 2.6: Pixel output noise distribution at the sensor output [15].

2.3 MIMOSA 26

MIMOSA 26 (block diagram shows in Fig. 2.7) is the first full scale digital sensor of the MIMOSA series with integrated signal processing. It adapts the optimal pixel design of MIMOSA 22 / 22bis [17, 18] combined with the zero suppression chip SUZE-02 [19], that performs on line data sparsification. Fabricated in the AMS 0.35 μm technology, it consists of 576 rows and 1152 columns with 18.4 μm pixel pitch size; resulting in a sensitive area of ~ 224

mm^2 and better than $4 \mu\text{m}$ single point resolution. The signal is amplified by a pre-amplification stage and undergoes the Correlated Double Sampling (CDS) in pixel, and then to be digitized using column level discriminators. Finally, the output is pipelined to the zero suppression circuit integrated on the chip. This architecture allows a fast readout frequency of $\sim 10 \text{ k frames/s}$.

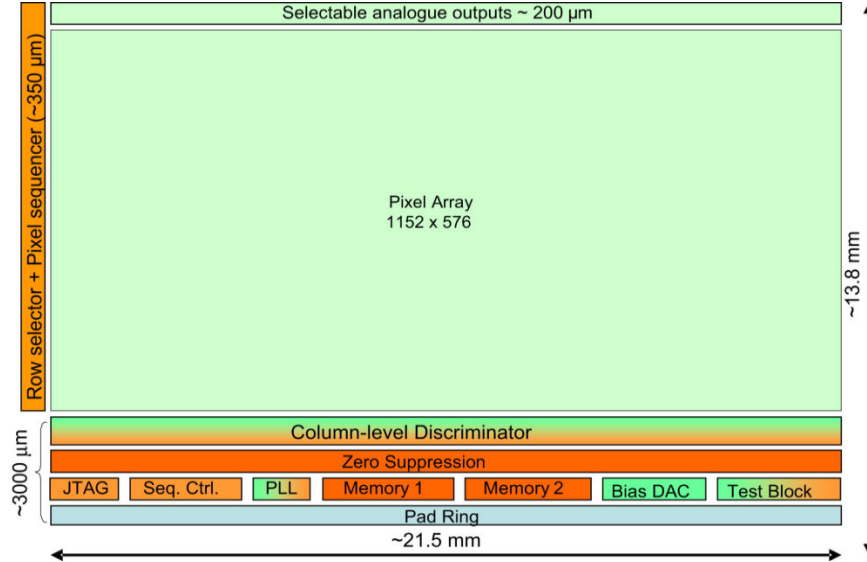


Figure 2.7: MIMOSA 26 block diagram.

2.3.1 Pixel

The pixel schematic of MIMOSA 26 is illustrated in Fig. 2.8. Its sensitive part is using the self-biased architecture. The amplification stage nearby the sensing diode is based on a common source (CS) amplifier (M3 and M2); an extra transistor M4 is used to increase the AC gain of the amplifier (detailed described in [20]) and a negative low frequency feedback (through M5) was introduced to decrease the operation point variation due to process dispersion as well as biasing the sensing diodes [21]. MOS capacitor M7 and M8 work as a low-pass filter and the serially connected capacitor for CDS. M10 is the source follower and its current source is in the column. M1, M6, M9, M11 and M12 are switches.

In order to enhance the pixel radiation tolerance, the feedback transistor M5 was designed as an enclosed layout transistor (ELT) surrounded by a guard ring which could minimize the grain-source leakage current; the thick oxide surrounding the sensing diode by default was replaced by thin oxide (gate oxide ring). The improved performance of this radiation tolerant design is reported in [22].

For a single pixel, the activated power consumption is about $200 \mu\text{W}$; Charge-to-Voltage conversion Factor (CVF) is 55.8. Its measured temporal noise is $12.3 e^-$ before radiation and increasing to $21 e^-$ with 300 kRad irradiation dose; while the fixed pattern noise keeps at $\sim 4 e^-$ with the irradiation lower than 300 kRad .

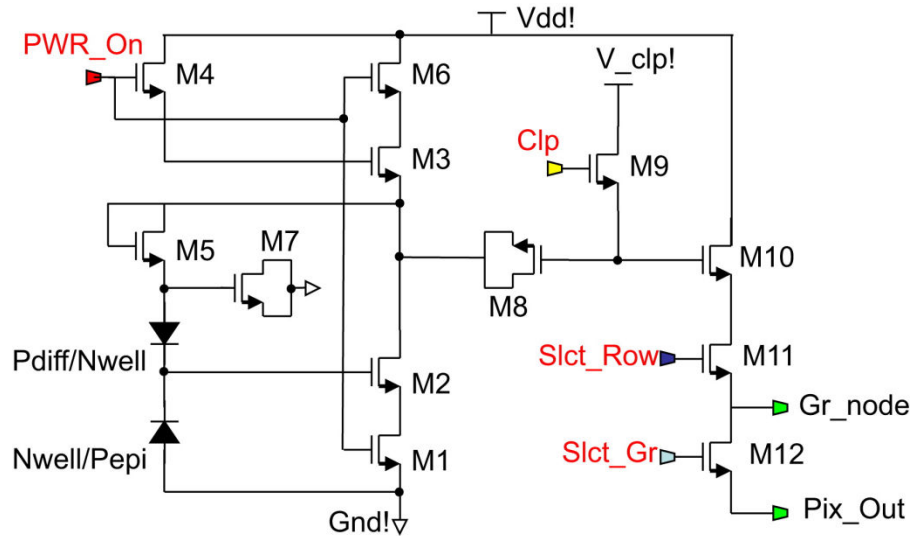


Figure 2.8: Pixel schematic of MIMOSA 26.

2.3.2 Analogue to Digital Conversion

The analogue to digital converter (ADC) is implemented identically for each column below the pixel array. Its number of bits is mainly determined by the required spatial resolution. More number of bits leads to higher spatial resolution while sacrifices larger layout area and power dissipation. For the case of MIMOSA 26, 1 bit ADC which is just a comparator is employed to ensure a $4 \mu\text{m}$ spatial resolution. The conversion time of the comparator matches with the pixel readout speed, so the signals transmitted from pixel array row by row could be converted to digital data continuously.

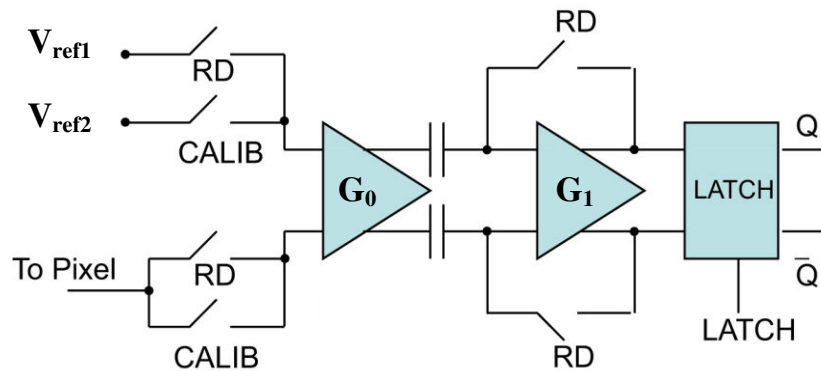


Figure 2.9: Architecture of the column-level discriminator.

Considering the small amplitude of the analogue signal, it is mandatory to use an offset compensated amplifying stage which corrects the residual offsets. As it is shown in Fig. 2.9, the architecture of the comparator is based on an auto-zeroed amplifying stage and a dynamic latch. The discriminator subtracts V_{RD} from V_{CALIB} (the in-pixel double sampling voltages) and compares it with a threshold value. All the 1152 column level discriminators will use a common

threshold value for comparisons. This value is adjusted by the difference of two programmable references V_{ref1} and V_{ref2} and with the purpose of ensuring $\sim 100\%$ of detection efficiency and low fake hit rate ($\sim 10^{-4} - 10^{-5}$). The design detail is described in [23].

The comparator features compact layout, low power consumption and low noise performances. The layout of this comparator is fitted in the pixel pitch ($18.4 \mu\text{m}$); its power consumption is below $250 \mu\text{W}$; and the noise extracted from ‘‘S-curves’’ amount to 0.3 mV and 0.2 mV for temporal noise and the FPN respectively.

2.3.3 Zero suppression

With the 10 kFrames/s working speed, for MIMOSA 26, the data flow provided by the column-level discriminators reaches up to 6.5 Gb/s per chip. In order to better handle this high data flow, and relax the requirements of the DAQ, The zero suppression circuitry was located right after the discriminators. It takes the output of the discriminators as input and searches for fired pixels row by row; it skips non hit pixels and identifies contiguous pixels (string) having their signals above the threshold. The sparse data scan logic is based on a Priority Look Ahead (PLA) algorithm which can be found in [24]. The length and addresses of the strings beginning are stored in one of the two SRAM allowing a continuous readout. The possible data compression factor is ranging from 10 to 1000, depending on the hit density per frame. The sparsified data of each frame after zero suppression is then sent out during the acquisition of the next frame via LVDS transmitters.

2.3.4 Performances

The first MIMOSA 26 prototypes arrived from the foundry in February 2009. The sensor was extensively tested in the laboratory and with a high-energy (120 GeV) pion beam. It measured a temporal noise $\sim 12 - 13 \text{ e}^-$ with 80 MHz clock operation frequency. It exhibited a detection efficiency of $\sim 99.5\%$ for a fake hit rate $\leq 10^{-4}$ per pixel and a spatial resolution of $\sim 3.5 \mu\text{m}$. Other achieved performance parameters are summarized in Table 2.1.

Table 2.1: Performance of MIMOSA 26.

Sensor external dimensions	$21.2 \times 10.6 \mu\text{m}^2$
Number of pixels	$\sim 660\,000$
Readout time	$\leq 100 \mu\text{s}$
Power consumption	$\sim 300 \text{ mW/cm}^2$
Non-ionizing radiation tolerance	Few $10^{12} \text{ n}_{\text{eq}}/\text{cm}^2$
Ionizing radiation tolerance	$\sim 300 \text{ kRad}$
Pixel pitch	$\sim 3 \mu\text{m}$
Material budget per sensor	$0.05 \%X_0$

2.4 Conclusions

The excellent performances of CPS for charged particle tracking in high energy physics have been demonstrated. However, the sensors designed for particle tracking is not suitable to be directly used in space radiation monitoring. Due to the differences of tracking particles on a ground large experiment and radiation monitoring in space, the sensor design strategy for each electronic part may be different.

Firstly, for these two applications the goals of the analogue processing parts are different, because of their different input energy range. In particle tracking application, the target particles are MIPs, that fact makes the analogue processing mainly focus on pursuing a high gain and low noise. In space radiation environment, the energy range of particles to be detected is much larger; their deposited energy in the detector may range several orders of magnitude. In order to realize the dosimeter function, the analogue processing needs to trade off between gain and large signal saturation. Also, larger input signals combined with a high flux density, the sensing diode used for space radiation needs more attention on fast and complete recovery from large input signals. Further more, a relative linear response is also required for the following more than one bit digitization.

Secondly, a more than one bit digitization is needed for space application. The radiation monitor does not need to locate the particles impact but just to separate them in order to count. The dose is evaluated by the sum of the energy measured. To provide more precisely the particle deposited energy information, an ADC instead of a discriminator is necessary.

Finally, the required embedded digital processing functions are totally different. For particle tracking, zero suppression function is employed to relax the data transmission stress as well as the requirement for DAQ. With the same consideration, and even more, an instrument on board a satellite does not have large signal treatment power available aside the sensor. The embedded algorithm for space application should not only suppress the data amount but also processing the data and provide high level information.

Therefore, generally, an analogue processing circuit with moderate gain, relative linear response to a large input dynamic range; a more than one bit ADC; and an embedded digital processing block with suitable algorithm are desired for the CPS used for space radiation monitoring application. More precisely specifications could only be determined through carefully application study and physical simulations which are described in Chapter 3.

Bibliography

- [1] M. Winter et al., *The Fourth Workshop of the 2nd Joint ECFA/DESY Study on Physics and Detectors for a Linear Electron-Positron Collider*, Oxford, March 1999.
- [2] Y. Gornushkin et al., Test results of monolithic active pixel sensors for charged particle tracking. *Nucl. Instrum. Methods Phys. Res., Sect. A*, vol. 478, pp. 311-315.
- [3] HU-GUO C et al., First reticule size MPAS with digital output and integrated zero suppression for the EUDET-JRA1 beam telescope. *Nucl. Instrum. Methods Phys. Res., Sect. A*, vol. 623, pp. 480-482.
- [4] D. Contarato, *Silicon Detectors for Particle Tracking at Future High-Energy Physics Experiments*. PhD thesis, University Hamburg, Hamburg, 2005.
- [5] A. Besson et al., A vertex detector for the international linear collider based on CMOS sensors. *Nucl. Instrum. Methods Phys. Res., Sect.*, vol. 568, pp. 233-239.
- [6] W. Dulinski et al., Optimization of tracking performance of CMOS monolithic active pixel sensors. *Nucl. Instrum. Methods Phys. Res., Sect. A*, vol. 513, pp. 291-295, 2003.
- [7] J. Baudot. *Future of Low Mass Pixel Systems with MAPS, 19th International Workshop on Vertex Detectors*. Loch Lomond, Scotland, UK, June 6-11 2010.
- [8] M. Koziel. *Development of radiation hardened pixel sensors for charged particle detection*. Ph.D. dissertation, Université de Strasbourg, France, 2012.
- [9] R. Turchetta et al., A monolithic active pixel sensor for charged particle tracking and imaging using standard VLSI CMOS technology. *Nucl. Instrum. Methods Phys. Res., Sect. A*, vol. 458, pp. 677-689.
- [10] G. Deptuch. *New generation of monolithic active pixel sensors for charged particle detection*. Ph.D. dissertation, Université Louis Pasteur, Strasbourg, France, 2002.
- [11] M. Szelezniak. *Development of pixel detectors with integrated microcircuits for the vertex detector in the STAR experiment at the RHIC collider*. Ph.D. dissertation, Université Louis Pasteur, Strasbourg, France, 2008.
- [12] A. Dorokhov. *Optimization of amplifiers for monolithic active pixel sensors. In topical workshop on Electronics for Particle Physics*, Prague, Czech Republic, Sep. 2007, pp. 423-427.
- [13] H. Tian. *Noise analysis in CMOS image sensors*. Ph.D. thesis, Stanford University, USA. 2000.
- [14] H. Tian et al., Analysis of temporal noise in CMOS photodiode active pixel sensor. *IEEE transactions on Electron Devices*, 36:92-101, 2001.

- [15] P. Martin-Gonthier *et al.*, Low-Frequency Noise Impact on CMOS Image Sensors. 24th conference on design of circuit and integrated systems, DCIS'09, 18-20 Nov 2009, Zaragoza, Span.
- [16] A. Lahav *et al.*, Optimization of Random Telegraph Noise Non Uniformity in a CMOS Pixel with a pinned-photodiode. *International Image Sensor Workshop*, pp. 219-223, June 2007.
- [17] A. Dorokhov *et al.*, Optimization of amplifiers for monolithic active pixel sensors for the STAR detector, *IEEE Nuc. Sci. Symp. Conf.*, October 2008, Dresden, Germany, 2008.
- [18] M. Gelin *et al.*, Intermediate digital chip sensor for the EUDET-JRA1 beam telescope, *IEEE Nucl. Sci. Symp. Conf. Record*, October 2008, Dresden, Germany, 2008.
- [19] A. Himmi *et al.*, SUZE: Zero suppression micro-circuit, <http://www.eudet.org/e26/e28/e182/e591/eudet-memo-2007-55.pdf> .
- [20] A. Dorokhov. *NMOS-based high gain amplifier for MAPS*. Vth International Meeting on Front End Electronics, Perugia, Italy, May 17-20 2006.
- [21] A. Dorokhov *et al.*, Optimization of amplifiers for monolithic active pixel sensors. *TWEPP 2007, Prague, Czech Republic*, September 3-7, 2007.
- [22] W. Dulinski *et al.* Development of CMOS Sensors for Future High Precision Position Sensitive Detectors. VCI 2007, Vienna, Austria, February 19-24 2007.
- [23] Y. Degerli *et al.*, A fast monolithic active pixel sensor with pixel-level reset noise suppression and binary outputs for charged particle detection. *IEEE Trans. Nucl. Sci.* 52 (2005) 3186.
- [24] A. Himmi. A zero suppression Micro-circuit for binary readout CMOS Pixel Sensors, *TWEPP 2009*. Paris, France, 21-25 September 2009. Available from http://www.iphc.cnrs.fr/IMG/ah_suze_Tweep2009_proc.pdf.

Chapter 3

Space radiation monitoring

The Earth orbit environment is populated by a great variety of energetic charged particles. The interactions of these particles with spacecraft systems and payloads lead to the cumulative degradation of components and to single-event errors in electronic devices. These may result in system malfunction, reduction of mission lifetime and even loss of a spacecraft. Safety concerns for human space habitation and exploration pose even greater challenges.

The data provided by monitoring devices help in assessing these risks and in correlating radiation effects with the radiation environment. This may result in improved mission planning, recommendations for spacecraft design and introduces the possibility of real-time alerting.

Monitors in current use may be divided into two broad categories: scientific payloads and support instruments. The former have good particle measurement capability, with large mass ($\gg 1$ kg) and power requirements ($\gg 1$ W). Smaller support instruments, however, have limited functionality (e.g. dosimetry) and offer little or no particle discrimination. Damage effects depend strongly on particle species and energy, meaning that particle identification would be an important advantage for these devices. The development of a small, accurate instrument suitable for widespread use on satellites in Earth orbit could therefore open new prospects for radiation detection in space.

This chapter starts with a brief description about the general characteristics of the main particle populations found in Earth orbit; then several typical existing radiation monitors are compared and evaluated; finally, physics simulation methods and the optimized solution of the proposed CMOS pixel sensor designed for future miniaturized radiation monitor are introduced.

3.1 The energetic particle environment

The particle radiation environment in Earth orbit is dominated by protons and electrons trapped in the Earth's magnetosphere. These particles are confined to inner and outer 'belt' regions

(illustrated in Fig. 3.1) which extend from an altitude of about 1,000 to 60,000 kilometers above the earth surface. Most of the particles from the belts are from solar wind, while others originate in cosmic rays [1]. Due to the effect from the Earth's magnetic field, the trapped particles' movement is often divided into three characteristic motions: circular motion around the magnetic field direction, bounce motion along the field lines and drift motion around the earth. Therefore, these trapped particles may display significant anisotropy which means at any point of this environment the trapped particles' flux is not isotropic.

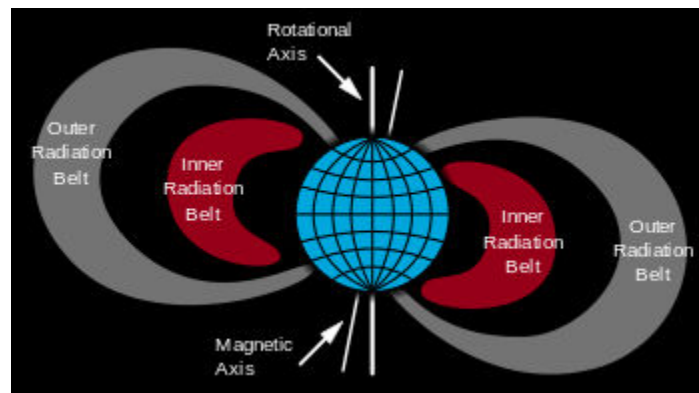


Figure 3.1: cross section of radiation belts [2].

The typical trapped particle energy spectra expected in specific orbits may be obtained from the empirical NASA models AP-8 [3] and AE-8 [4] for protons and electrons, respectively. The spectra are provided as a function of the magnetic field coordinates for protons in the range 0.1 - 400 MeV and electrons in the range 0.04 - 7 MeV. The average structure of the radiation belts is shown in figure 3.2. The left panel shows integral flux level contours of > 10 MeV protons, and the right panel, contours of the > 0.6 MeV electrons. Protons are restricted to the inner belt, while electrons can be found in both regions. The zone between the two belts is so-called slot region. Figure 3.2 indicates the highest flux for protons and electrons may reach several $10^5 \cdot \text{cm}^{-2} \cdot \text{s}^{-1}$ and $10^6 \cdot \text{cm}^{-2} \cdot \text{s}^{-1}$. However, these are static, omnidirectional integral flux values which have long been established. The actual population is very dynamic both over short timescales of hours or days (in relation to transient solar events) and over years (due to changes in the Earth's magnetic field and the ~ 11 year solar activity cycle). In addition with the particles' anisotropy feature, the peak fluxes may exceed $10^7 \cdot \text{cm}^{-2} \cdot \text{s}^{-1}$ on some occasions, it was therefore a target value for space radiation detectors intended for wider usage or a greater operational margin.

In addition to electrons and protons, trapped heavy ions have been detected at altitudes of $\sim 1 R_E$, believed to be decelerated anomalous cosmic ray ions [5]. The intensities of these ions are, however, several orders of magnitude lower than those of trapped protons or electrons in this region.

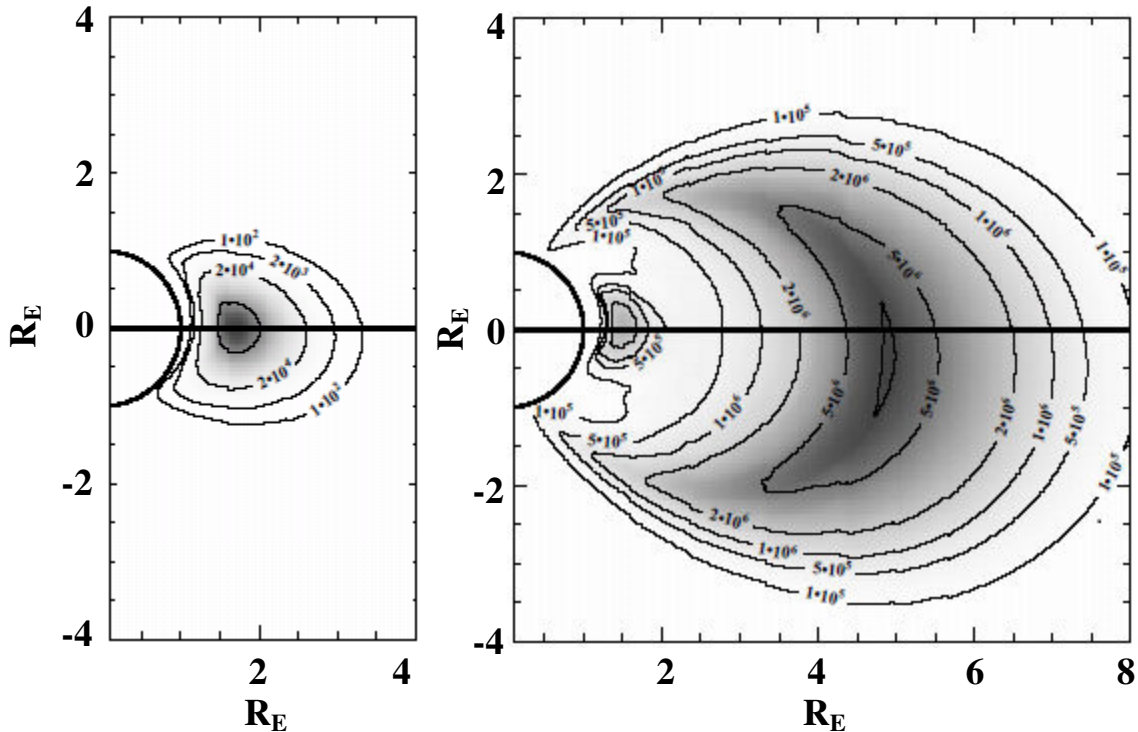


Figure 3.2: Earth's radiation belts as represented by the standard AP8 and AE8 models. The two panels show contour plots of integral proton flux > 10 MeV (left) and integral electron flux > 0.6 MeV (right).

Whereas electrons populate the inner and outer zone, protons are only trapped in the inner zone.

3.2 Space radiation monitors

The definition of a radiation monitor is an instrument consisting of one or more radiation sensors in an arrangement designed to provide information regarding incident particles. The sensors contain, or are coupled to, a sensitive volume which allows the production of an electrical signal in response to a single incident particle. This usually involves measurement of the particle's ionizing energy loss by detecting the generated charge carriers or photons. Non-electronic methods (e.g. thermoluminescent dosimeters and photographic emulsions) are limited used due to the convenient processing, analysis and transmission of data allowed by electrical transducers,

In contrast to long-term integrated dosimetry, single particle response is a further important requirement. Measurement of individual particles introduces the possibility of particle identification (discrimination of species and energy) and thus a more complete characterization of the radiation environment. In a high flux environment, for this to be feasible, the sensor should have a fast response and short dead-time to avoid particle pile-up and miss counting; its output signal should vary depending on the particle species and energy, or a combination of them.

Particle identification ability (rather than simple counting) depends both on the limitations of the sensor technology and on the overall identification 'scheme'. This scheme encompasses the sensor arrangement, monitor geometry, materials selection and any applied electromagnetic

fields, together with the analysis algorithm used to convert sensor data into an interpretation of the radiation environment.

The use of a radiation monitor in space imposes additional constraints on the design due to the practical limitations on mass, volume, power and data rate. These considerations are particularly severe for monitors intended as support instruments (rather than as a scientific payload) since their peripheral mission role is reflected in smaller shares of the subsystems budgets. Naturally, further constraints apply to the financial cost implied in the procurement, installation and exploitation of these devices.

As well as measuring particle ionizing energy losses, the sensors themselves are subject to the ionizing and non-ionizing damage mechanisms. The monitor must therefore be sufficiently robust to survive in the space environment. Other concerns would be reliability, automated operation, thermal regulation in vacuum, and survival of launch vibrations.

A wide variety of radiation detectors are suitable for use in space, including gas-filled detectors, scintillators, and semiconductor devices. These could be used, with certain restrictions, such as selective material shielding and sensor coincidence. Several effective detectors and identification methods are discussed in the following sections through a brief review of devices in past and present use. This list is not exhaustive but attempts to include typical small-scale monitors with a wide range of device technologies for satellite support functions.

3.2.1 The Geiger-Mueller tube

The Geiger-Mueller (GM) tube is a gaseous detector used for the detection of ionizing radiation. Each ionization event can create a large number of electron avalanches in the tube and causes a saturated response; therefore no properties of the particle or interaction may be deduced since all responses are equal. Some form of quenching of the avalanche is essential to recover the tube for further ionization; the disadvantage of quenching is that for a short time, the tube is temporarily unable to detect the arrival of any new ionization particle; this short time is so-called *dead time* which is typically 50 – 100 microseconds.

Although GM tube could neither identify particle species nor have a high count rate, it was the first radiation detector used in space, on the Explorer-1 satellite in 1958, and provided the first direct evidence of the trapped radiation belts [6, 7]. The used instrument had an insufficient dynamic range from zero to maximum (128 s^{-1}), so that the measured count rate changed almost instantly after entering the belts. GM and other gas-filled counters have since been superseded by other sensors in most space applications.

3.2.2 The Scintillating Fibre Detector (SFD)

The SFD is a fibre-optic nuclear radiation detector based on the principle of measuring light emitted from a short piece of scintillating fibre with a connected sensitive photo detector. The flight version of SFD, launched on the EQUATOR-S satellite in 1997 [8]; was designed to

measure the omnidirectional energy flux of protons and electrons. It comprises two C₈H₈-doped organic scintillator fibres of 1 mm diameter coupled to GaAsP photodiodes. The current outputs (non-pulsed detection) are detected with a logarithmic current amplifier and ADC. The two digitized currents are converted to an equivalent dose rate or mean particle flux in software.

Particle discrimination was obtained with the help of different shielding. Aluminum shields on the two fibres of 0.2 mm and 4 mm thickness give respective low energy thresholds of 0.4 MeV and 2 MeV for electrons and 8.6 MeV and 30 MeV for protons. Linear dose rate response has been demonstrated to greater than 17 mGy·s⁻¹ and for protons at energies in excess of 100 MeV. The total dose limit before scintillator damage is estimated to be greater than 10 kGy. The instrument's mass, volume and power are relatively small, at 397 g, 332 cm³ and 105 mW, respectively. Comparison of the two channel rates allows qualitative assessment of the particle environment.

The advantages of this detector are its compactness, ruggedness, light weight, minimal power consumption and wide dynamic range. However, the lack of single-particle pulse measurement is a severe limitation.

3.2.3 RadFETs (MOS structures sensitive to ionizing radiation)

The RadFET is a MOS structure based on the phenomenon of threshold voltage modification in MOSFETs due to exposure to ionizing radiation (introduced in section 2.3). It is commonly used to measure the dose rate and total ionizing dose received [9, 10]. Multiple RadFETs with different depths of shielding may be used as an approximate indication of radiation penetration. It has attractive advantages such as small size, simplicity of component and readout circuit. However, impossible of single particle detection and temperature variations of V_{th} [11] are its two main limitations.

3.2.4 The Standard Radiation Environment Monitor (SREM)

The SREM [12] consists 3 silicon PIN diodes in 2 heads (illustrates in figure 3.3). Two diodes are arranged in a telescope configuration, the front diode having a 25 mm² area and the rear diode a 50 mm² area. A front window of 2 mm aluminum introduces energy thresholds of 1.5 MeV and 20 MeV for electrons and protons, respectively. An energy ‘degrader’ of 1.7 mm aluminum and 0.7 mm tantalum between the diodes imposes a ~43 MeV proton coincidence energy threshold, while electron coincident hits are assumed to be negligible. The other diode of 25 mm² area mounted behind a 0.7 mm aluminum window, giving particle energy thresholds of 0.5 MeV and 10 MeV for electrons and protons, respectively. The window opening angle is ± 20°.

Particle counting and more specified classification is based on the diodes’ pulse height analysis by 15 channels coupled with 15 discriminators (scales). The analysis can handle up to 100 kilo events per second, while an internal RadFET is also supplied for integrated dose measurements.

The overall monitor has a volume of $\sim 2500 \text{ cm}^3$ ($96 \times 122 \times 217 \text{ mm}^3$), mass of 2.6 kg and consumes $\sim 2.5 \text{ W}$.

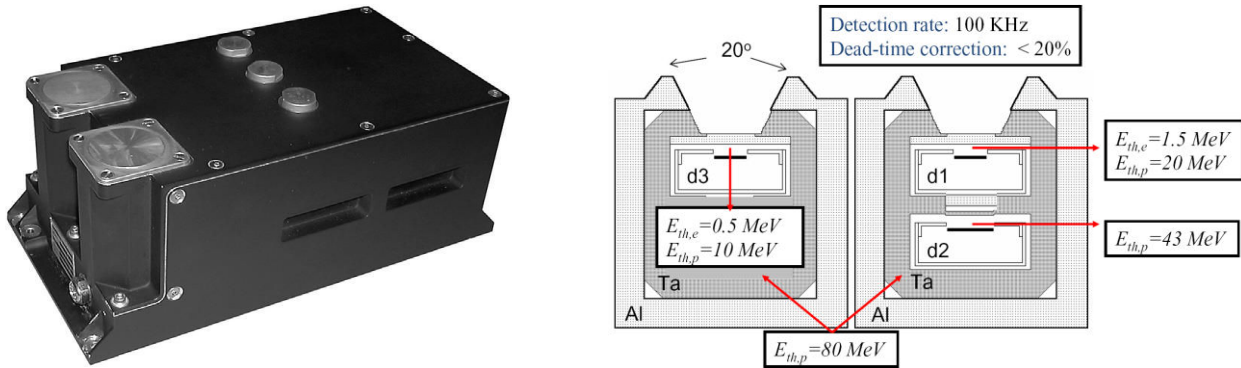


Figure 3.3: Picture of SREM flight model and the schema of its two detector head.

SREM units operating in space have demonstrated reliable operation, with good spatial resolution of the radiation belts [13] and detection of flux anisotropies [14]. However, significant species “cross-contamination” exists between different channels; the single particle species is probabilistic only.

3.2.5 Pixel sensors

1. CCDs

CCDs have been confirmed have the ability to count individual charged radiation particles and to distinguish between species based on the widely varying ranges of particle deposited energy [15], and have been investigated for use in space radiation monitors [16]. However, such monitors have not been adopted in practice due to its radiation sensitivity, complexity of using, and uneconomical as discussed in section 1.3.4.

2. Hybrid pixel sensors

Five Timepix hybrid silicon pixel sensors are employed in the LUCID space radiation detector which is flight-ready and waiting for launch on the TechDemoSat-1 spacecraft [17]. The Timepix [18] was developed primarily for medical imaging but are also under investigation for other uses. It features a $300 \mu\text{m}$ thick silicon sensor bump-bonded to a readout chip. 256×256 pixels of pitch $55 \mu\text{m}$ provide 65,536 readout channels from the 1.98 cm^2 sensor area. Particle identification is achieved through pixel cluster shape analysis, although this requires the use of a personal computer [19].

3. CMOS pixel sensors

HMRM (Highly Miniaturized Radiation Monitor), A CMOS Image Sensor based detector, has been build with the aim of greatly reduce costs and complexity of radiation detectors [20].

Similar with LUCID, HMRM is also currently undergoing integration on the TechDemoSat-1 spacecraft. Based on the ESA statement of work [21] for the HMRM project, the requirements of a desired monitoring device can be briefly summarized as:

1. Low volume, mass, power dissipation;
2. Could give an estimate of the primary particle energy;
3. The dynamic range should be chosen to maximize discrimination over the primary particle energy ranges found in typical satellite Earth orbits;
4. Shall provide real-time monitoring
5. The particle count rate shall be measurable in environments with an omnidirectional integral flux up to $10^7 \cdot \text{cm}^{-2} \cdot \text{s}^{-1}$;
6. Detected events could be classified in the device with respect to particle species;
7. Radiation tolerant of a total ionizing dose (TID) shall be at least 100 kRad (1 kGy);

To meet these specifications, CPSs have several practical advantages over competing semiconductor pixel sensor technologies as discussed in section 1.3.4. The employed image sensor in HMRM is based on a 50 by 51 pixel array with $20 \mu\text{m}$ pitch size and 1 mm^2 sensitive area. The pixel features the commonly known 4T [22] structure and is read out in a snapshot mode with the maximum frame rate about 10,000 fps. The digital output of the sensor is obtained with a 3-bit column parallel ADC with programmable thresholds. In addition to sensor readout, data processing for particle identification and counting are executed in the FPGA (field-programmable gate array).

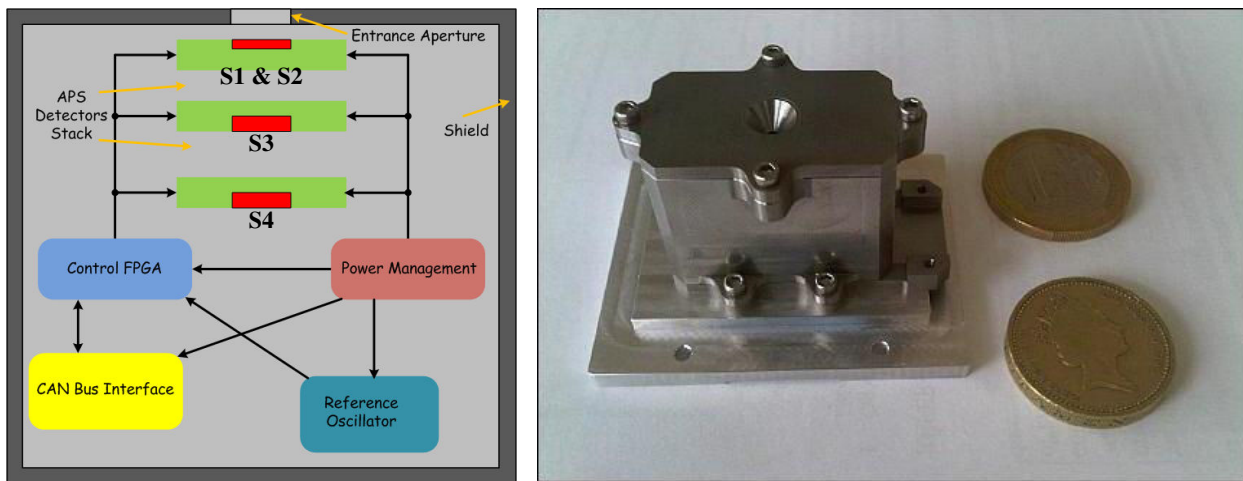


Figure 3.4: Block diagram (left) and photo (right) of HMRM structure. It features a stack of four CPS (S1 to S4), where S1 and S2 in close proximity.

As illustrated in figure 3.4, HMRM comprises a telescopic configuration of four CPS enclosed in a titanium shield. It is intended to provide real-time dosimetry and identification of energetic charged particles in omnidirectional fluxes of up to $10^8 \text{ cm}^{-2} \cdot \text{s}^{-1}$ (probability of pile-up expected fewer than 5%). Thanks to the approach of using CPS, HMRM obtained a considerably reduced

size (15 cm^3), mass (52 g). Its particle identification principle based on the particles' different penetration capability; the events triggered in different sensor indicate electrons and protons with different energies.

For the identification of particles species and energies mainly, the HMRM relies on the innovative architecture: a telescopic configuration of four CPS standard imagers enclosed in a titanium shield. This study departs from this strategy, indeed it mainly focuses on further exploring the full potential of a single CMOS monolithic pixel sensor. In order to propose appropriate specifications for sensor design and estimate the performances of the proposed sensor, carefully calculations and simulations have been done. Detail introductions and discussions are described in the following sections.

3.3 From measurement requirements to design specifications: simulation methods and results

The device simulation is performed to analyse the possibility of CPS to meet the requirements and provide all the specifications for the following sensor design. According to current NASA models described in section 3.1, the Earth's radiation belt consists mostly of protons from about 100 keV up to 400 MeV and electrons from about 10 keV up to 7 MeV. Also the peak omnidirectional flux of these particles is expected to reach up to several $10^7/\text{cm}^2/\text{s}$. Due to the intensities of other cosmic ray ions are several orders of magnitude lower than those of trapped electron or proton, their effect were ignored in this simulation.

3.3.1 The choice of sensor sensitive area, pixel pitch size and readout speed

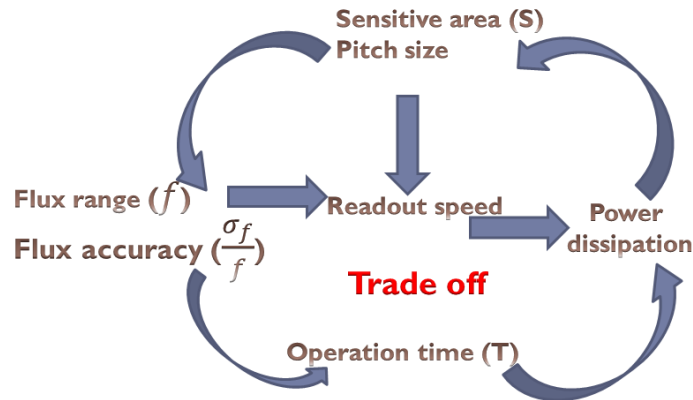


Figure 3.5: relations between speed, accuracy, power, sensitive area and pitch size.

The choice of sensor sensitive area, pitch size and readout speed is always a trade-off between accuracy and power dissipation, as illustrated in Fig. 3.5. For instance, required flux estimate accuracy may be obtained by employing a certain sensitive area, pitch size, readout speed with certain power dissipation; a smaller pitch size may lead a higher accuracy while requires a faster readout speed and sacrifices more power dissipation.

The accuracy is here defined as the uncertainty of flux estimation. It depends on the target flux rate, the sampling area and duration; also the detector's ability to separate close events on spatial or time scale.

The expected relative uncertainty of flux estimation is given by:

$$\frac{\sigma_f}{f} = \frac{\sqrt{N}}{N} = \frac{1}{\sqrt{N}} = \frac{1}{\sqrt{\alpha ST}} \quad (3.1)$$

Where σ_f is the uncertainty of the measured flux f , S is the sensitive area, T is the operation time, α is real flux and N is the number of measured particles. From equation 3.1, we obtain:

$$S \times T = \frac{1}{\alpha \left(\frac{\sigma_f}{f}\right)^2} \quad (3.2)$$

Assuming a 10 mm^2 sensitive area read out every $20 \mu\text{s}$ (corresponding to a frame rate of 50 kfps), the lowest particle flux measurable by counting all impinging particles during one second and with a 10% statistical uncertainty is $10^3 \cdot \text{cm}^{-2} \cdot \text{s}^{-1}$. Higher fluxes are estimated either with a better accuracy or within a shorter time. The highest flux measurable depends on the particle pileup probability which is governed by the pixel size and the readout rate.

Table 3.1: probability of hits pile-up with respect to sensor operation speed and cluster size.

Frame time (speed)	Pixel Pitch	Clusterize in pixels	P ($N \geq 2$)
100 μs	20 μm	3x3	0.07%
		5x5	0.47%
	50 μm	3x3	2.18%
		5x5	13.02%
50 μs	50 μm	3x3	0.59%
		5x5	3.98%
20 μs	50 μm	3x3	0.10%
		5x5	0.72%

The probability of finding exactly n events within time t when the events occur randomly, but at an average rate of γ (events per unit time) is described by the Poisson distribution

$$P(n|\gamma) = \frac{\gamma^n e^{-\gamma}}{n!} \quad (3.3)$$

Considering the worst situation, environment average flux as high as $10^7 \text{ particles} \cdot \text{cm}^{-2} \cdot \text{s}^{-1}$, each hit triggers a 5x5 cluster. The probability of misjudgment by pile-up two hits in a frame is given in table 3.1.

Due to the concern of marginal particle pile-up probability, either of the two options: 20 μm pixel pitch size with 100 μs frame time or 50 μm pixel pitch size with 20 μs frame time is suitable. However, smaller pitch size also means more pixels, more processing circuits so as higher power consumption for a certain sensitive area. As a result, a sensor with 10 mm^2 sensitive area, 50 μm pitch size was chosen. The proposed sensor includes a 64 \times 64 pixel matrix, and its operation speed is expected to be less than 20 μs per frame.

3.3.2 Simulation of pixel response

In order to obtain more specifics for sensor design, and predict the measurement performances of the sensor. The complete response of proposed CPS has been simulated with the four following steps:

- 1) Generate the various incident particles' energy deposited in the thin (14 μm) sensitive area;
- 2) Calculate the signals over each pixel;
- 3) Digitize the signals collected on pixels;
- 4) Program a clustering and hit counting algorithm to group adjacent pixels in a cluster and sums their digital values to estimate the deposited energy associated from which the incident particle could be identified.

More details of each step are described in this section.

3.3.2.1 Deposited energy generation

As been described in chapter 1, energy deposited is straggling for particle beams passing through matter, because of energy loss variance and angular scattering. Mean stopping powers are therefore not suitable for greater accuracy in realistic situations. However, the data obtained from the mean stopping powers could provide a general ideal about how particle deposit energy with respect to their energies and species. Primary decisions, for instance the most angular of sensor could face to incident particles or appropriate number of ADC bits required to distinguish particle species, was made based on these simple data. More precise sensor estimated performance was complemented by Monte Carlo simulations.

Without concerning the energy loss fluctuation, figure 3.6 describes the average energy loss of electron and proton used to generate e-/h pairs in silicon per μm . In fact, in the energy range concerned (e- from 100 keV to 7 MeV, proton from 100 keV to 400 MeV), comparing to the collision energy loss which is used to generate e-/h pairs, other kinds of energy loss are several magnitude lower which is omitted in this analysis [23]. It tells that protons loss more energy per μm than electrons and with proton kinetic energy increases its energy loss decreases. This makes it possible that separates electron/proton particles and tells the energy of incident proton by measuring their energy deposited in the sensor.

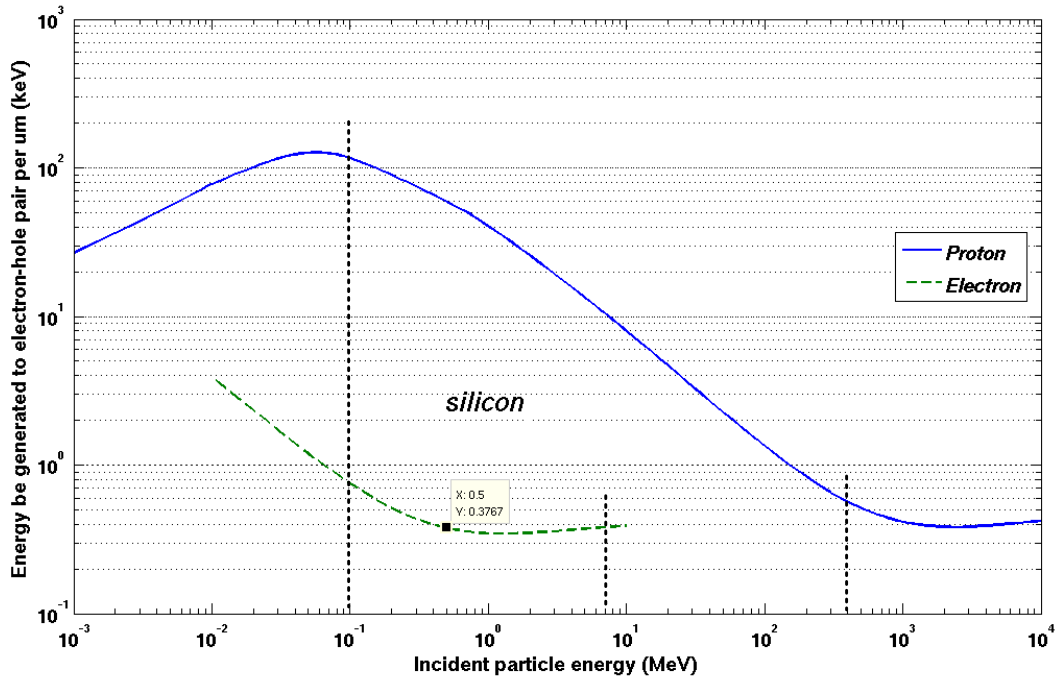


Figure 3.6: Incident proton and electron energy versus their energy loss used to generate e-/h pairs per μm in silicon, the vertical dashed lines indicate energy intervals concerned.

Figure 3.6 also illustrates the low energy particles may not penetrate the $14\ \mu\text{m}$ layer, for instance, $500\ \text{keV}$ electron losses $377\ \text{keV}$ energy just in $1\ \mu\text{m}$ and it surely losses all of its energy and stops in the second μm . So the relationship between deposited energy measured and incident particle kinetic energy is not exactly the same as showed in Figure 3.6.

Considering the simplest situation, particles vertically incident into the sensor, their energy loss could be measured is the energy lost in the $14\ \mu\text{m}$ epitaxy layer. The total energy loss of proton in $14\ \mu\text{m}$ silicon with respect to its kinetic energy is illustrated in Figure 3.7; from which we could tell: firstly, protons with energy lower than $700\ \text{keV}$ will loss all of their energy and stopped in $14\ \mu\text{m}$ thick silicon; secondly, the energy loss of low energy proton ($<700\ \text{keV}$) is comparable with higher energy proton ($(700\ \text{keV}, 10\ \text{MeV})$); finally, the measurable energy loss for proton from $700\ \text{keV}$ to hundreds of MeV keep decreasing with its kinetic energy increasing.

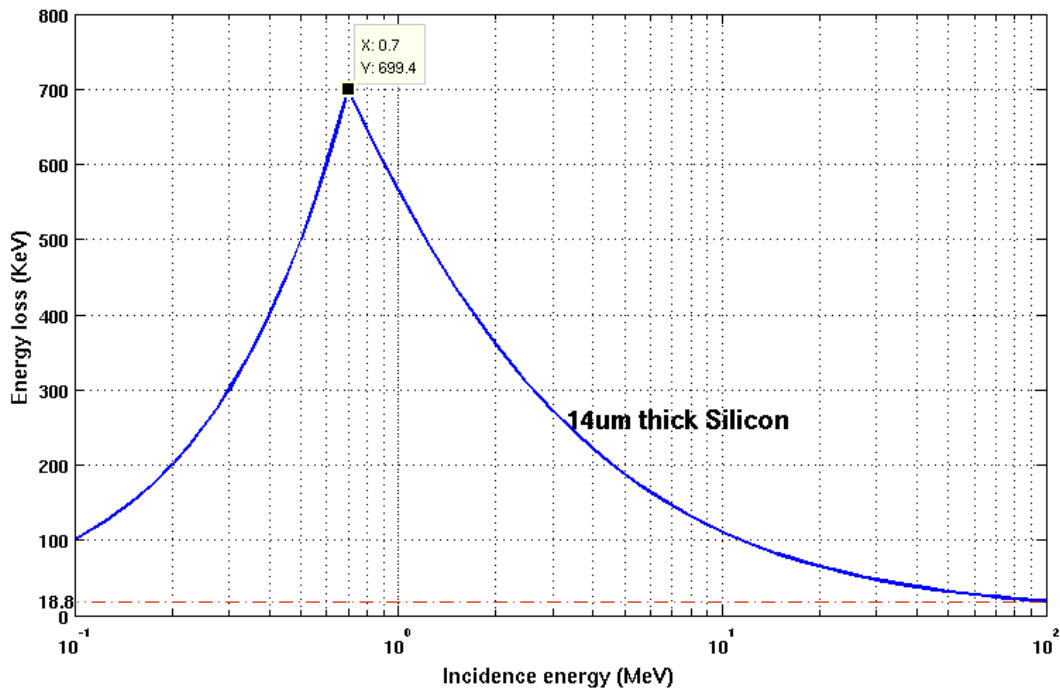


Figure 3.7: total energy loss of proton in 14 μm thick silicon with respect to its kinetic energy.

Some very primary conclusions we could make are:

- 1) In the particle energy range concerned in space radiation, it is possible to identify particle species (electron or proton) by measuring their deposited energy in CPS epitaxy layer. Generally, protons deposited higher energy than electrons.
- 2) Protons' kinetic energy (from around 1 MeV to hundreds of MeV) is possibly to be reconstructed due to their monotonically relation with energy deposited.
- 3) It is not possible to tell incident electrons' kinetic energy just depends on their deposited energy measured in a single CPS. However, the electron's penetration capability increases with an increasing kinetic energy. Thereby, a possible method to identify electron's energy would be using this feature, adding various thick shielding or pile up several sensors as a telescope. A thin sensor is very desirable with this method, for the easily multiple scattering feature of electrons.
- 4) Particles need passing through several μm thick oxide or metal layers (depends on the layout design and hit position) before they reach the epitaxy layer of CPS. Due to the limited penetration capability of both low energy particles, the CPS detectable particle energy may start from several hundreds keV for both electrons and protons.

As described in section 3.1, electrons and protons in space radiation belt have three characteristic motions, so their incident angular to the detector may vary a lot. As the incident angular could significantly influence the particle route range in CPS epitaxy layer, which will not only bring large fluctuation of deposited energy but also various shape and size clusters. Also, different hit

position affects to the e⁻/h pairs sharing among neighboring pixels, and then effects to the measured results. These two effects further complicate the particle identification using a single sensor. The second step simulation was then performed with the consideration of both the incident angular and hit position effects.

3.3.2.2 Signal over pixels calculation

The signals generated over each pixel were calculated with a dedicated Monte-Carlo algorithm: which was developed from many test results of the MIMOSA CPS series with the same sensing diode size [24]. This algorithm is described by a double Gaussian Point Spread Function (PSF):

$$\frac{1}{2\pi} \left[\frac{p}{\sigma_1^2} \exp - \frac{x^2+y^2}{2\sigma_1^2} + \frac{1-p}{\sigma_2^2} \exp - \frac{x^2+y^2}{2\sigma_2^2} \right] \times \alpha \quad (3.4)$$

Where x and y is the distance between collecting diode and generated e⁻/h pairs in x and y direction; p is the proportion of the double Gaussian; σ_1 and σ_2 is the standard deviation of the Gaussian function; α is the modified coefficient which depends on the pitch size.

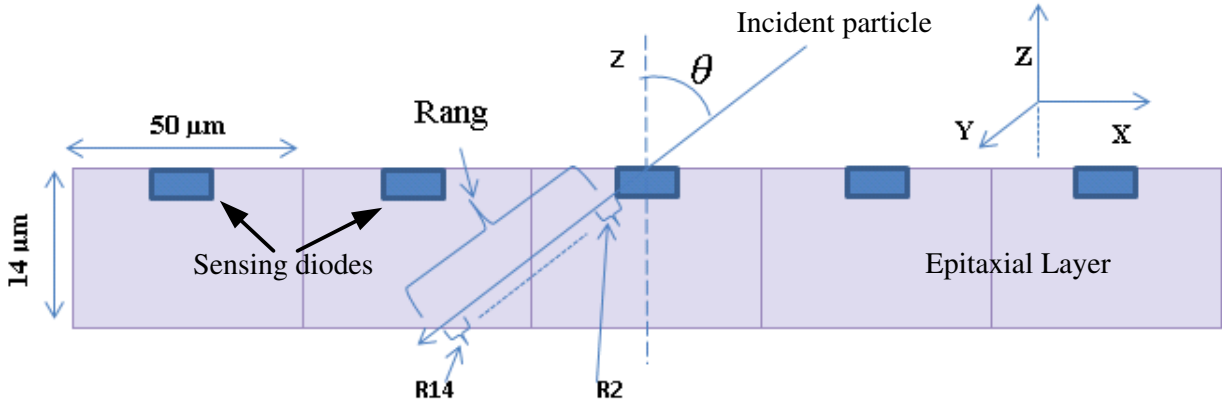


Figure 3.8: Schematic diagram of particle range in the cross section of epitaxial layer.

As illustrated in Figure 3.8, the particle route range in epitaxial layer is averagely divided into 14 sections (R_1 to R_{14}). So the total charge collected on a diode could be calculated as:

$$C_{total} = \sum_{i=1}^{14} \frac{E_i}{3.6} \times PSF \quad (3.5)$$

Where C_{total} represents the total charge collected on a diode, E_i represents the energy deposited in range section R_i .

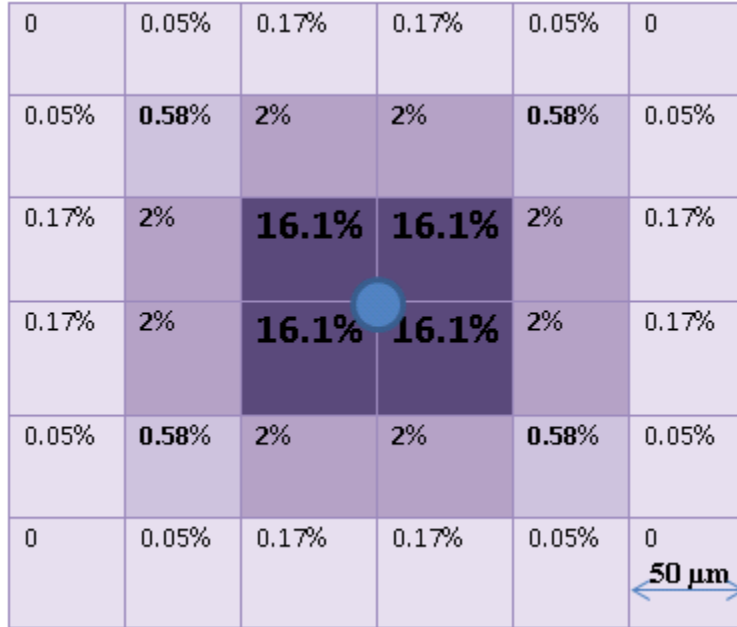


Figure 3.9: Simulation result of signal over pixels for a typical situation: particles hit in junction region of four adjacent pixels at normal incidence.

Suppose the sensing diode is located in the center of each pixel, the calculation was performed by MATLAB with electrons and protons of various energies, incident angles and hit positions. Figure 3.9 shows the result for a typical situation that particles vertically hit the sensor in the junction of 4 adjacent pixels. The matrix in this figure imitates a cluster with 6x6 pixels; each square represents a single pixel; the number in each pixel indicates the percentage of total e^- generated in the epitaxial layer and finally collected by each pixel. Results with more details could be found in table 3.2. Even though they are very primary calculation results which are only the mean values without considering any energy deposit fluctuation and multiple scattering; some important conclusions already could be drawn.

This probably is the situation that seed pixel (the pixel collected most of the charges in a cluster) with the minimum signals. The useful S/N ratio which determines the collection efficiency should be defined by the minimum seed pixel signals here divided by the noise. As illustrated in table 3.2, in the energy range concerned, high energy electrons (> 500 keV) have the seed pixel with minimum signal value which is around $220 e^-$. In fact, a higher value is expected due to the electron multiple scattering, this is confirmed by Monte-Carlo simulation in Gent 4 which will be discussed in section 3.3.3. To simplify the analysis and avoid miss-counting particles, hypothesis $200 e^-$ was the threshold value for a useful counted signal, electrons and high energy protons would fire a 2×2 cluster while low energy protons (from 500 keV to several MeV) could trigger a 6×6 cluster.

Table 3.2: Simulated mean values of total number of e⁻ generated in the epitaxy layer by several particles at normal incidence; and the numbers for these percentages relative to Figure 3.5. E and P represent electrons and protons respectively; all the numbers in this table have a unit of e⁻.

	100%	16.1%	2%	0.58%	0.17%	0.05%
E 50 KeV	4944	796	98	28	8	2
E 100 KeV	3016	485	60	17	5	1
E 500 keV	1464	235	29	8	2	0
E 1 MeV	1340	215	26	7	2	0
P 500 KeV	138888	22361	2777	805	236	69
P 1 MeV	199268	32082	3985	1115	338	99
P 10 MeV	30928	4979	618	179	52	15
P 100 MeV	5218	840	104	30	8	2
P 500 MeV	1994	321	39	11	3	1

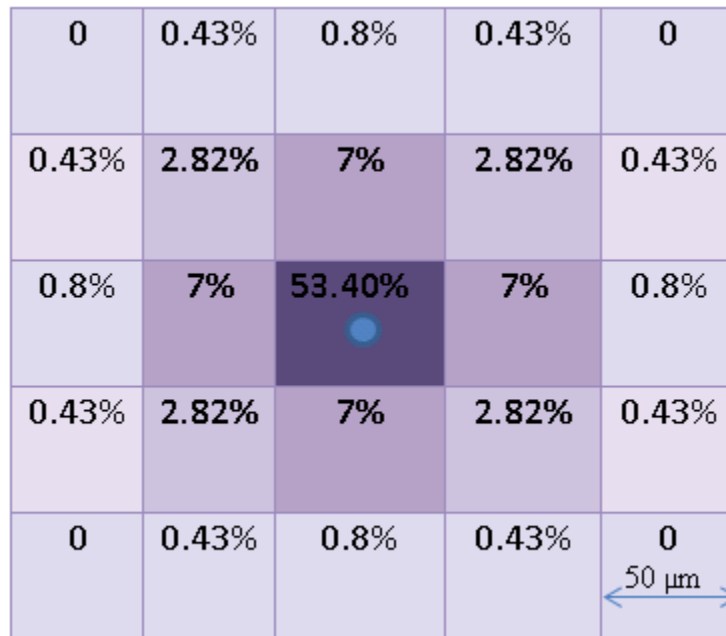


Figure 3.10: Simulation result of signal over pixels for a typical situation: particles hit in the center of a pixel at normal incidence.

Figure 3.10 and table 3.3 give the results for another typical situation: particles hit in the center of a pixel at normal incidence. This probably is the situation that charges are collected in a cluster with its smallest size. Still using 200 e⁻ as the threshold, table 3.3 tells that electrons with energy higher than hundreds keV and hundreds MeV protons may trigger only one pixel by a single hit. The seed pixel collected charge may exceed 100 kilo e⁻ for low energy protons (~1 MeV); even this may not be the situation with highest charges collected by seed pixel (with angular effect, this number may increase to 120 kilo e⁻). Therefore, for single pixel signal processing, a very large input dynamic range (from 200 e⁻ to exceed 100 kilo e⁻) exists. Meanwhile, a 5x5 cluster still observed for low energy protons in this situation.

Table 3.3: Simulated mean values of total number of e⁻ generated in the epitaxy layer by several particles at normal incidence; and the numbers for these percentages relative to Figure 3.6. E and P represent electrons and protons respectively; all the numbers in this table have a unit of e⁻.

	100%	51.8%	7%	2.84%	0.8%	0.43%
E 50 KeV	4944	2561	346	140	39	21
E 100 KeV	3016	1562	211	85	24	13
E 500 keV	1464	758	102	41	11	6
E 1 MeV	1340	694	93	38	10	5
P 500 KeV	138888	71944	9722	3944	1111	597
P 1 MeV	199268	103221	13948	5659	1596	856
P 10 MeV	30928	16020	2165	878	247	133
P 100 MeV	5218	2703	365	148	41	22
P 500 MeV	1994	1033	139	56	16	8

Thus, it seems a low energy proton hit event always means a large cluster size with high seed pixel charges, with its energy increasing; both the triggered cluster size and seed pixel charges decreasing; until proton energy increases to several hundred MeV, its triggered event performs similar with event triggered by a electron. The basic idea of particle identification is based on their different deposited energy which translates to different triggered cluster size and total charges collected by fired pixels. Figure 3.11 evaluates these two characteristics in a single plot for the particles concerned with three incident situations: two normal incident situations we discussed in figure 3.9 and 3.10, another angular incident situation that particles hit in the center of a pixel with 80° to Z-direction ($\theta = 80^\circ$ illustrated in figure 3.8). Obviously, from figure 3.11, both the triggered pixels number and total e⁻ collected shift a lot for most particles, thus it is almost impossible to identify a particle's species and energy with these information. The main reason for this significant shift is the angular effect, for a particle with the ability to penetrate the sensor, the length of its route at $\theta = 80^\circ$ angular incident is $1/\cos 80^\circ = 5.76$ times as long as the route at normal incident. A proton may even deposit more than 5.76 times energy than normal incident, because its stopping power increases with its energy decreasing. Therefore, in order to make the identification possible, it is quite important to limit the incident angles of the particles. This study has not extended to the aperture design for the detection system; currently, we hypothesis the finally detection system would have a shielding structure with an aperture to limit the particles' incident angles as other space radiation detectors introduced in section 3.2. The route length would be only 1.41 times with $\theta = 45^\circ$ and 1.15 times with $\theta = 30^\circ$ as long as normal incident; thus we ignore the angular effect and just use the data of normal incident to simplify the following analysis.

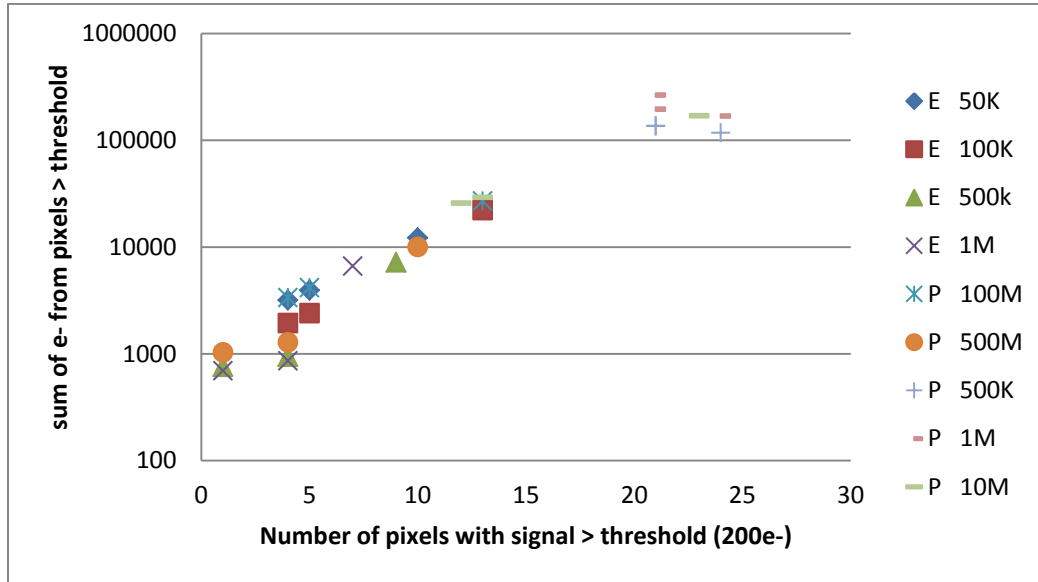


Figure 3.11: sensor responses for various particles with respect to number of pixels fired (threshold $200 e^-$) and totally number of e^- collected from fired pixels. For each kind of particle, there are 3 points represent 3 incident situations on behalf of hit position or angular effects. Two of them are normal incident with different position relative to the sensing diode, another is $\theta=80^\circ$ as illustrated in figure 3.8.

3.3.2.3 Analogue signals digitization

As discussed in chapter 2, signal digitization is quite meaningful for data processing and transmission. It would be realized by an ADC in hardware. The first concern for ADC specification would be a fine resolution to provide useful information. The second concern is a most possible simplified design with low bit number for low power, high speed operation and less circuit complexity when the first concern is satisfied.

Results with a discriminator

The simplest ADC, a discriminator is firstly considered. With a discriminator, the particles would only be identified according to the number of pixels it fired. Figure 3.12 presents the expected results. For each particle sample, two point “hit in center” and “hit in corner” represent two typical situations: the particle normal incident in the center of a pixel and in the junction region of four adjacent pixels respectively. Thus, in figure 3.12, the results for other incident situations probably located in the region between these two points. Generally, the particles could be classified in to 3 groups by the number of pixels fired in a single hit: low energy protons (<10 MeV), moderate energy protons (from 10 MeV to 100 MeV), high energy protons (> 100 MeV) and electrons. This energy resolution is achieved just by the intrinsic granularity feature of pixel sensor; therefore a higher energy resolution can be expected by employing an ADC with more bits.

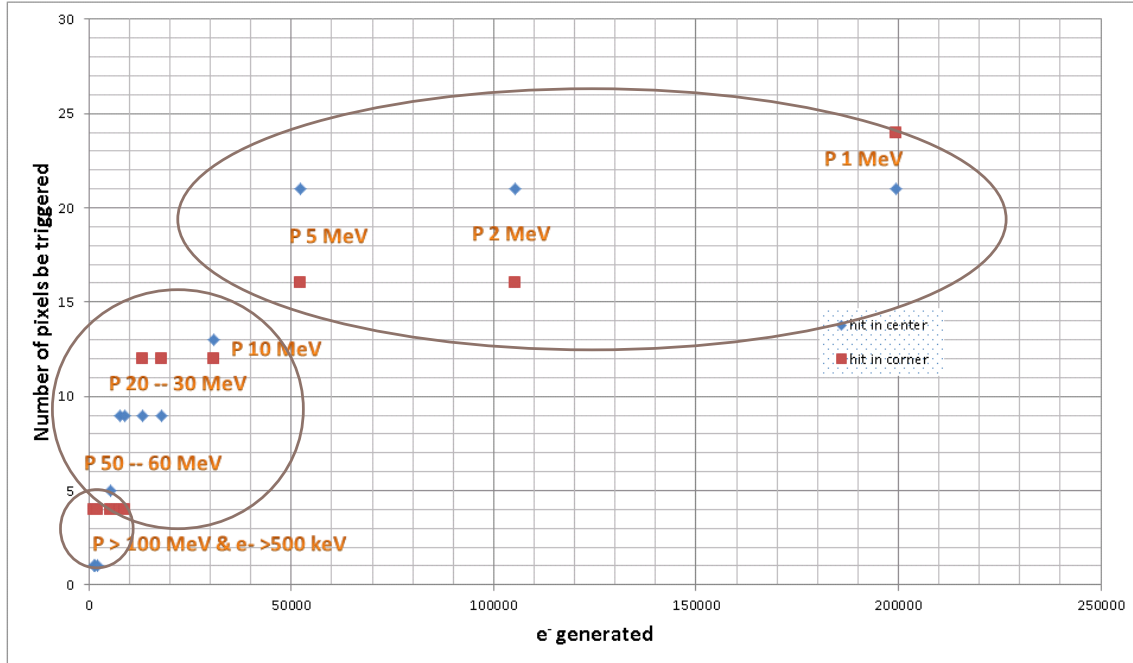
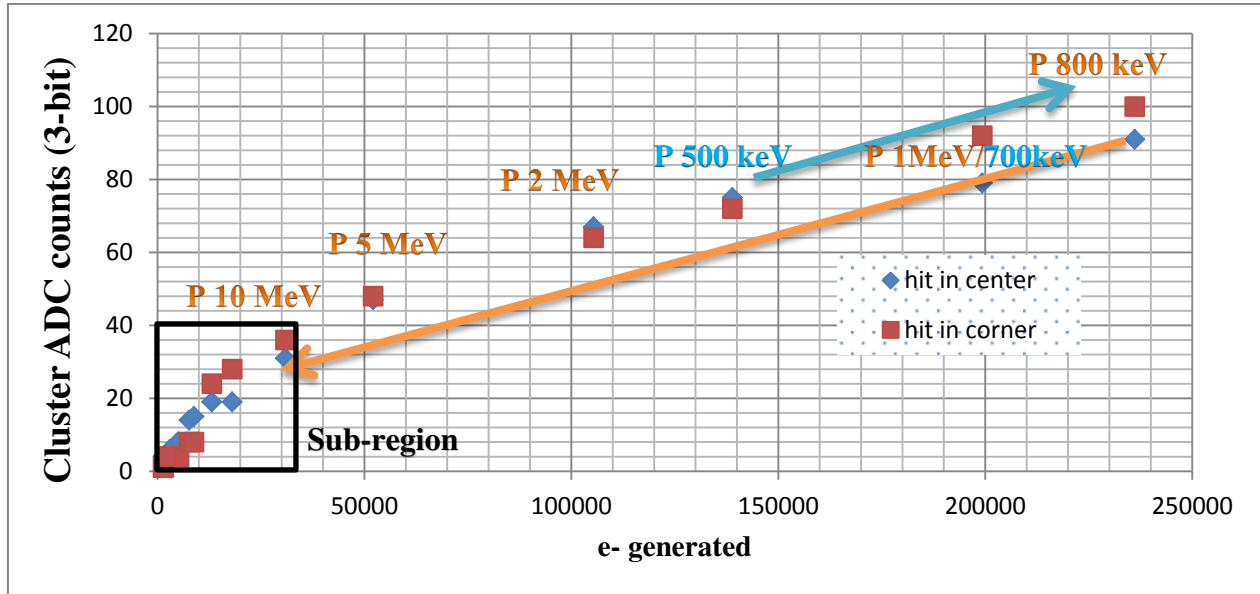


Figure 3.12: Total e^- generated by various particles with respect to the number of pixels with collected charges higher than 200 e^- .

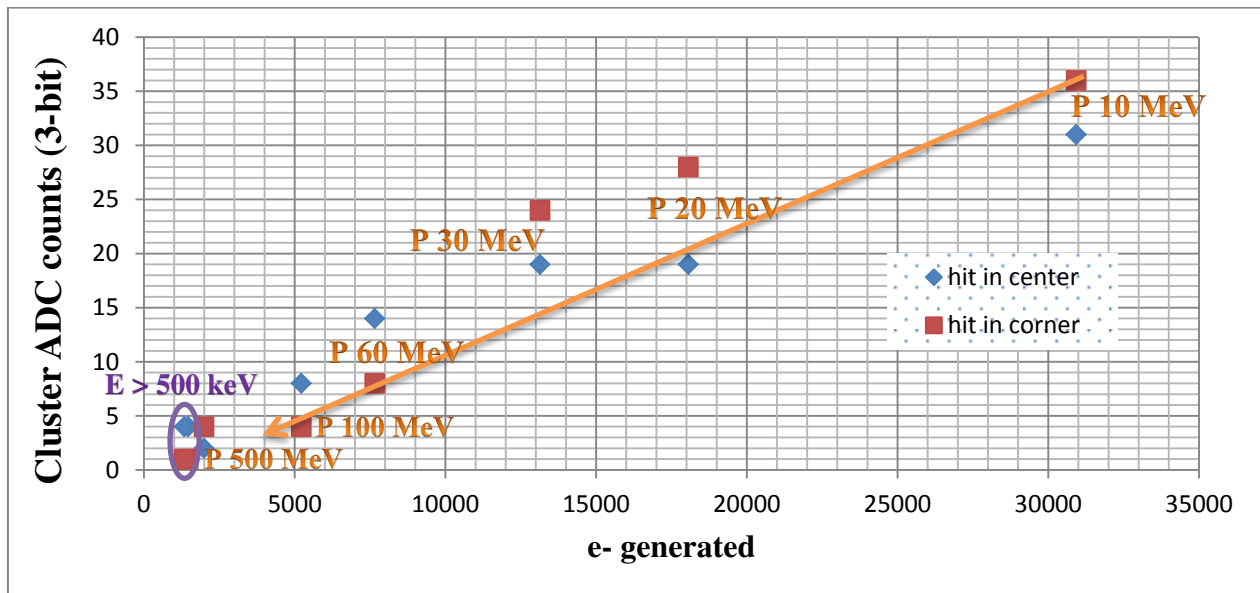
Results with a 3-bit ADC

To pursue higher particle resolution, an ADC with more bits is mandatory. From table 3.2 and 3.3, we could find electrons and high energy proton just generate several thousand electrons in total while this number increases one order of magnitude when the proton energy decreases to 10 MeV, and increases another order of magnitude when the proton energy decreases to 1 MeV. For the final target of particles identification, it seems we do not need an ADC with high energy resolution in the high deposited energy region, because the number of pixels fired already could help. In contrast, an ADC with fine resolution in the low and medium deposited energy region may help in identifying the moderate energy protons and electrons better. After the discriminator, a 3-bit ADC with 200 e^- input threshold was chosen for the analysis. For the idea of separating electrons with high energy protons, a 700 e^- LSB (least significant bit) was chosen, thus electron fired pixel outputs would always be 1 while high energy proton fired pixel may output 2 at some occasions (based on the data in table 3.2 and 3.3). Therefore, the ADC would saturate at 4400 e^- .

The number of fired pixels and total collected charges could be together expressed as the sum of ADC counts for all the pixels in a cluster. Thus, particles could be identified by their fired cluster ADC counts; figure 3.13 shows the simulated result. Compare to the result obtained with a discriminator, a better resolution for protons is obtained, while electrons and protons with hundreds of MeV are still mixed together due to their comparable deposited energies.



(a)



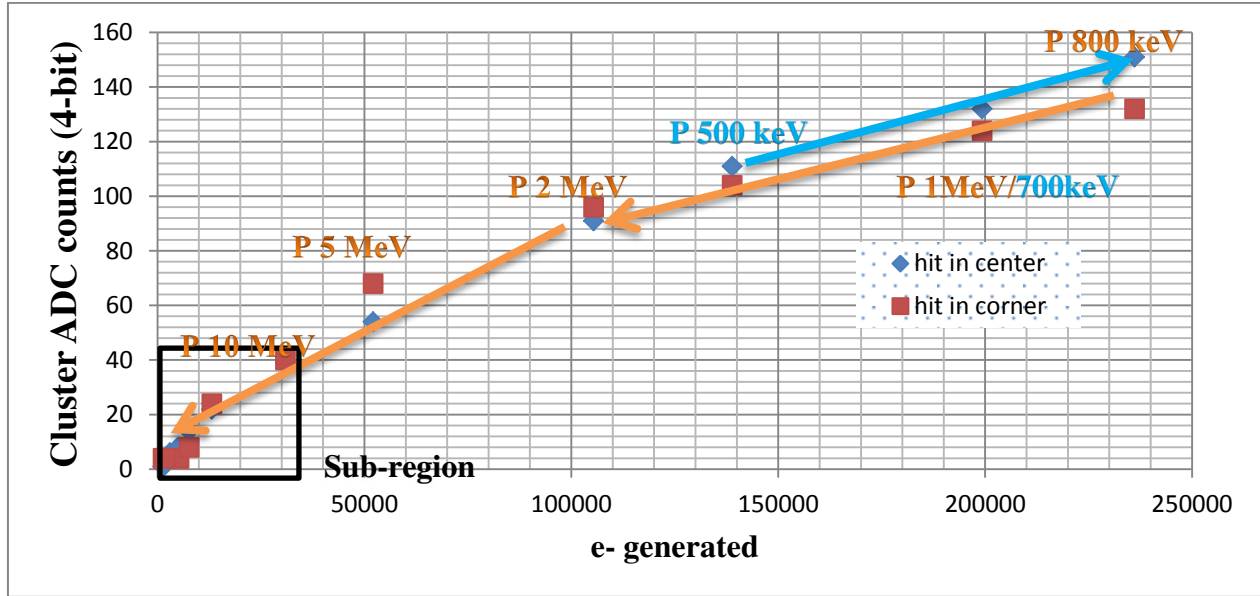
(b)

Figure 3.13: Total e- generated by various particles with respect to sum of 3-bit ADC counts for all the pixels in a cluster (a) and its sub-region (b).

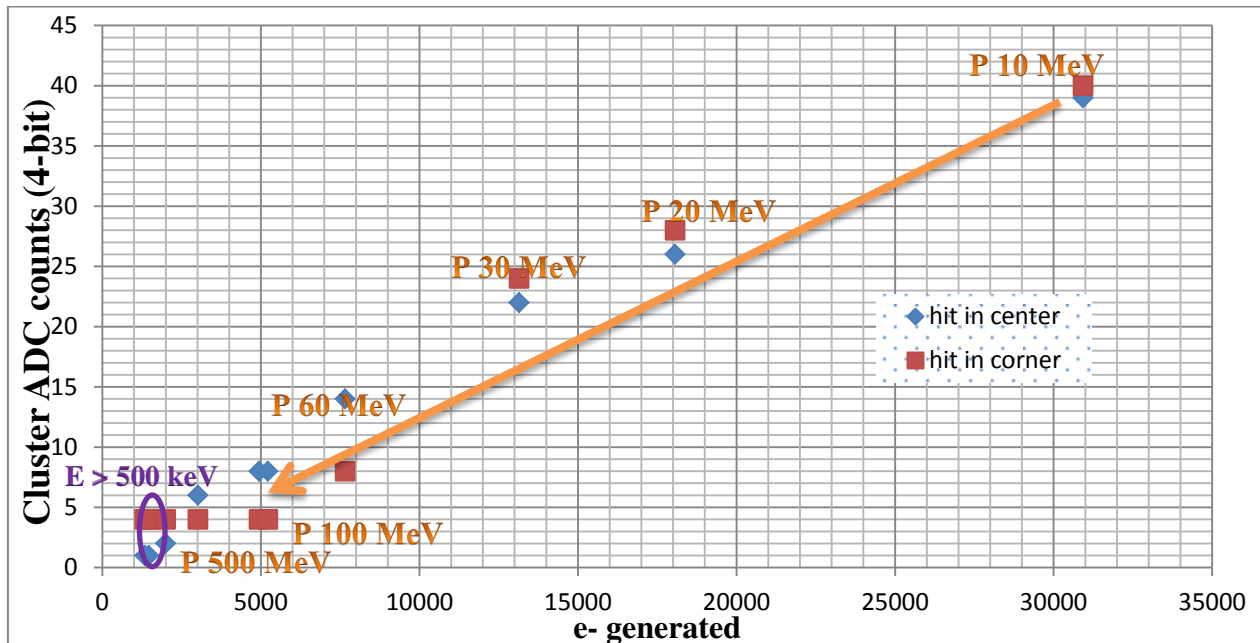
Results with a 4-bit ADC

In figure 3.13, the cluster ADC counts performance reflect the same trends with the deposited energy with respect to incident particles' energy and species as shown in figure 3.7 and discussed in section 3.3.2.1. A smaller LSB wouldn't help for electrons and high energy (hundreds MeV) protons separation due to their intrinsic similar deposited energies in the thin epitaxy layer of

CMOS sensor while a larger dynamic range with more bits could help to better separate moderate energy protons (from 1 MeV to 100 MeV). In order to identify the effect of larger dynamic range, the same analysis was also performed with a 4-bit ADC which has the same threshold and LSB with the 3-bit ADC and saturates at 10000 e⁻. Result is shown in figure 3.14.



(a)



(b)

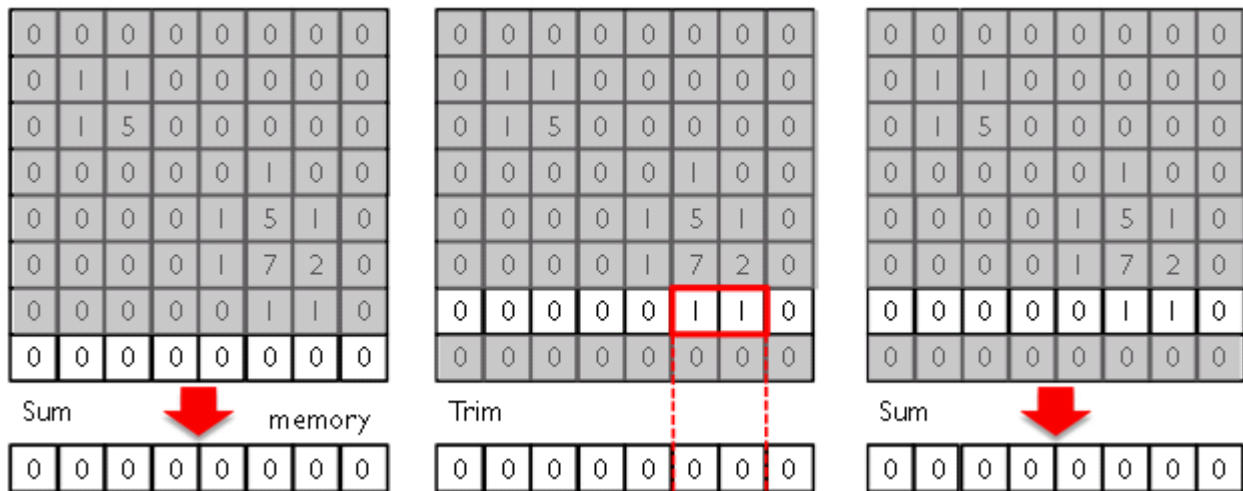
Figure 3.14: Total e⁻ generated by various particles with respect to sum of 4-bit ADC counts for all the pixels in a cluster (a) and its sub-region (b).

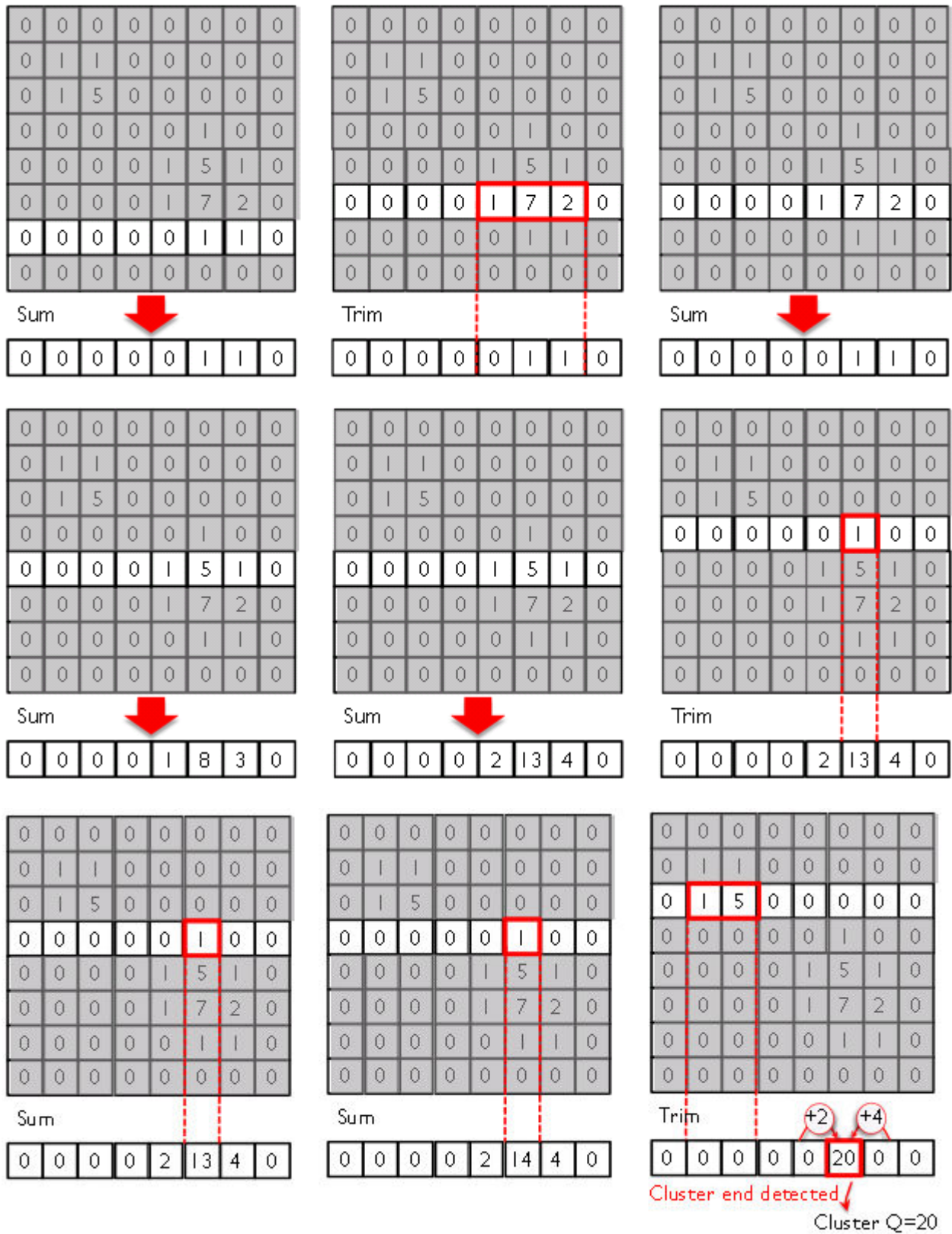
Compare figure 3.14 with figure 3.13, marginal improvement for particles identification can be found. As the 3-bit ADC solution already shows a good result, for the second concern mentioned at the beginning of this section, the 3-bit ADC was finally chosen to digitize the analogue e-signals collected by the sensor's sensitive part.

3.3.2.4 Digital signal processing

Based on the analysis in last section, the basic target of the digital signal processing would be providing the sum of ADC counts for each cluster triggered by individual particles; these particles could be therefore identified by the different cluster ADC counts information which reflects their different energy deposited in the sensor.

A clustering and hit counting algorithm was programmed in C++ to emulate the data processing flow inside the sensor. This algorithm groups adjacent pixels in a cluster and sums their digital values to estimate the deposited energy associated. An example is shown in figure 3.15 to indicate its basic operation principle. In figure 3.15, each square in the 8×8 matrix represent a pixel; the number in each pixel represent the ADC value of its collected signal; and the row on the bottom means a memory used to temporally store the sum results. There are two clusters in the matrix means there were two particles hit the matrix in a frame. As introduced in chapter 2, the sensor operates in rolling-shutter mode, so the data flow from matrix also needs to be processed row by row. The basic function of cluster identification is realized by trimming non-zero pixels from zero pixels; the sum results of the adjacent non-zero pixels' values are temporally stored in the memory at the bottom until there is no non-zero pixels left neighboring; once the summation of a cluster is finished, the result is readout and memory is reset to 0. In the example, the two particles triggered two clusters with 20 and 8 ADC counts, based on the last section analysis, they are probably two protons, one with energy from 30 MeV to 50 MeV, another with energy around 100 MeV.





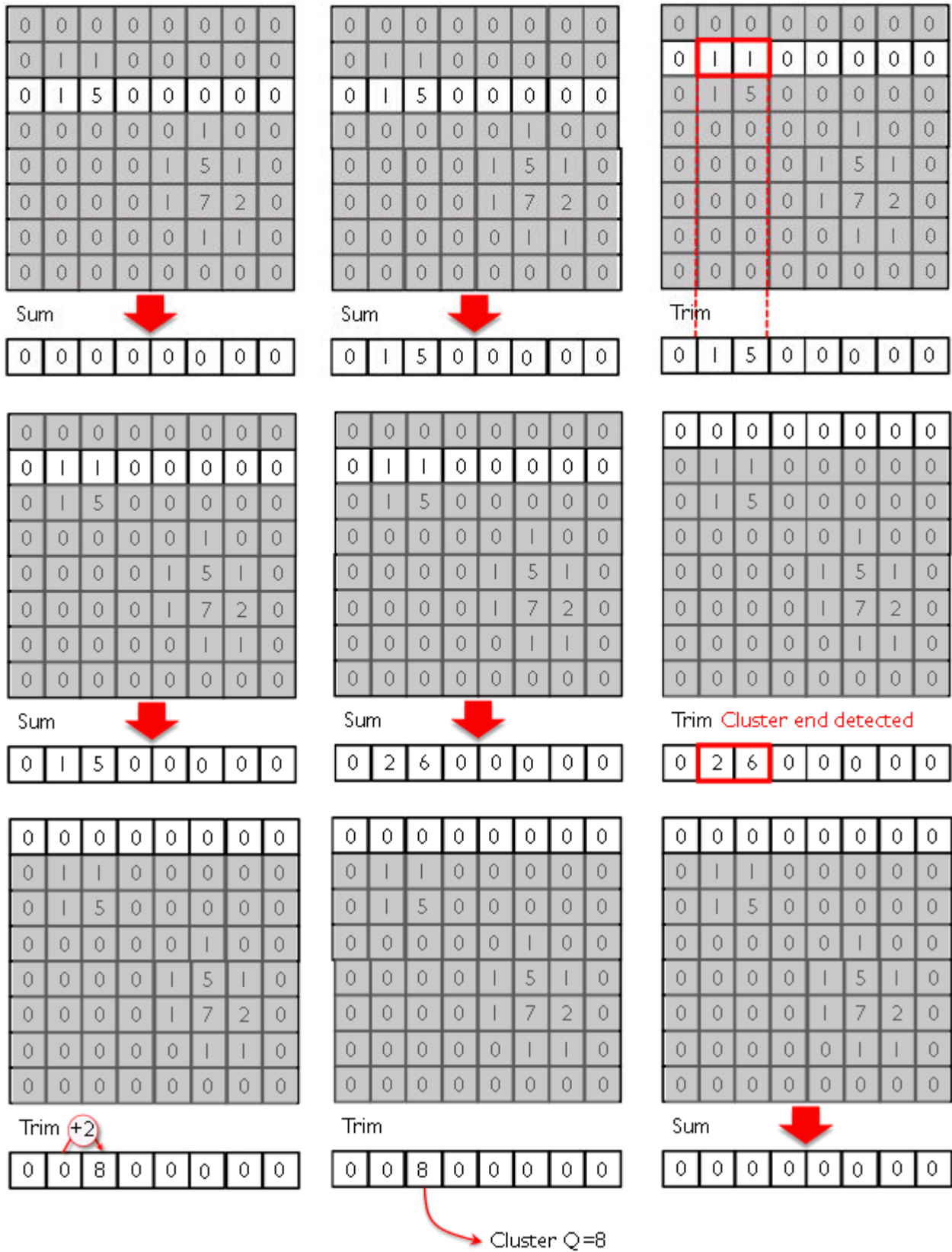


Figure 3.15 : An example for the basic operation principle of the digital processing.

3.3.3 Complementary Monte-Carlo simulation and estimated performances

All the previous simulations were based on the particles' deposited energies calculated from the stopping power of particles in silicon; the particles' routes in silicon were supposed to be straight. Therefore, they are just mean values without considering energy loss fluctuation, electrons multiple scattering and incident angular effects. In order to better estimate the performances of the sensor. A complementary Monte-Carlo simulation based on the GEANT4 package had been done to provide more accurate and reliable deposited energy values. The result is shown in figure 3.16. Particle incident angle θ is considered from 0° to 60° , so particle routes length in silicon varies from R_{epi} to $2R_{\text{epi}}$, where R_{epi} is the thickness of the epitaxial layer which is typically $14 \mu\text{m}$. Electrons deposits more energy than calculated in section 3.3.2.2 due to its routes length in sensitive area increases by scattering. For electrons, the minimum signal possibly collected by seed pixel increase to around $300 e^-$ instead of previously calculated $200 e^-$. Finally, figure 3.12 indicates the possibility of using a single CPS to distinguish protons from electrons below an energy of 50 MeV.

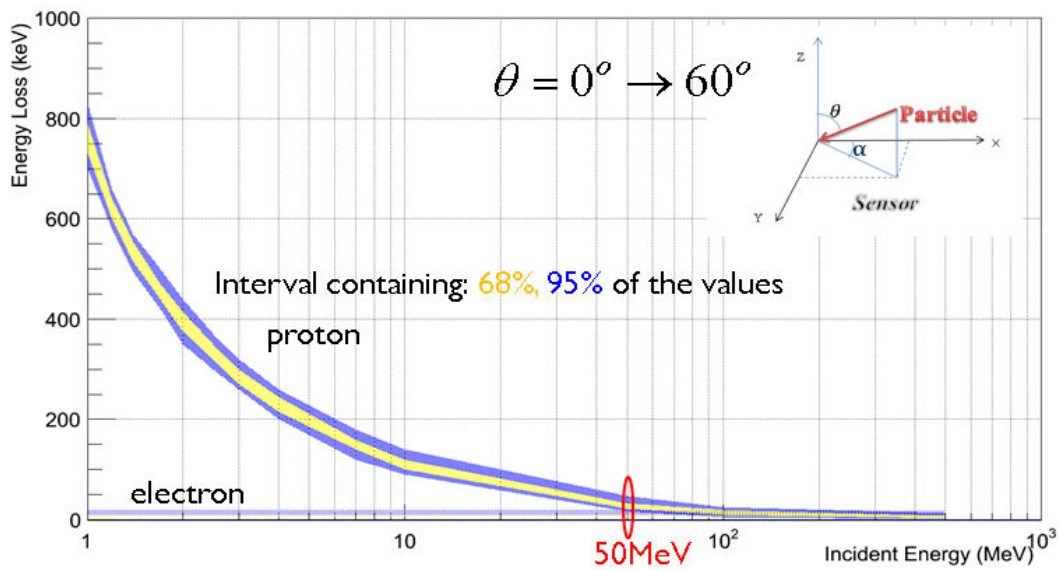


Figure 3.16: Monte-Carlo simulation results of energy loss in the sensor's sensitive area versus particle incident energy.

The 3-bit digital sensor response is also performed based on the Monte-Carlo results and is shown in figure 3.17. It confirms there is 95% chance electron triggered cluster ADC counts less than protons below 50 MeV triggered cluster counts; this probability keeps decreasing with proton energy increasing until 200 MeV proton performs almost the same with electrons. Meanwhile, protons less than 50 MeV obtain a fine energy resolution by their triggered cluster ADC counts.

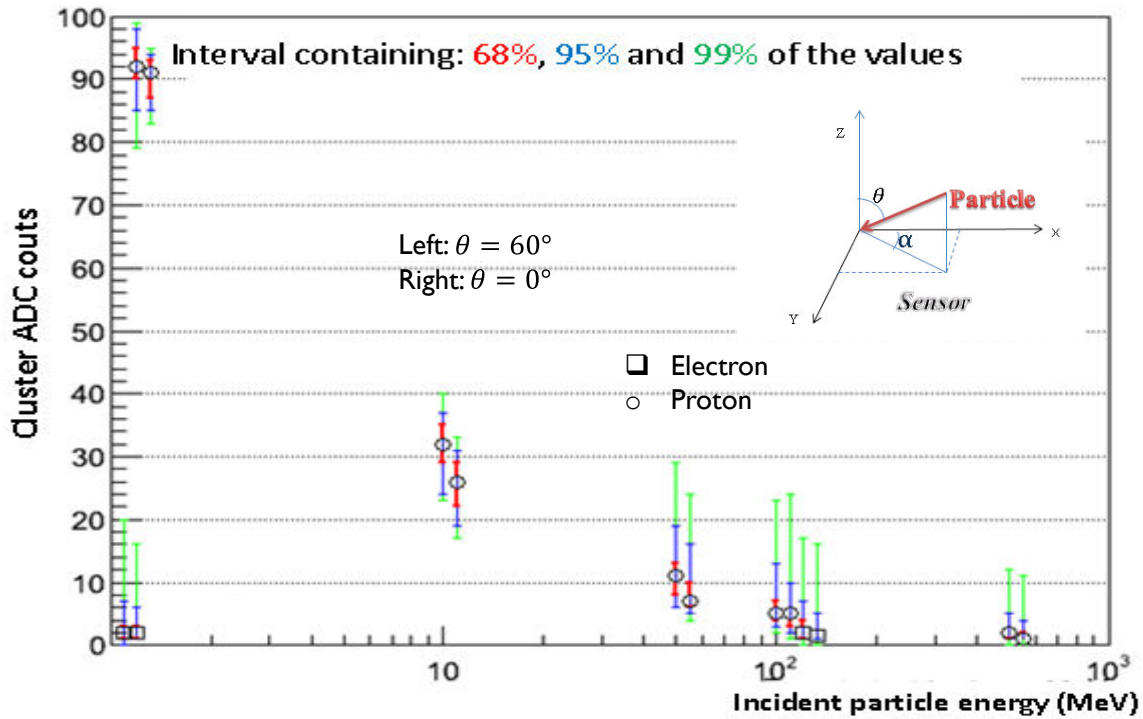


Figure 3.17: Monte-Carlo simulation results of incident particle energy versus triggered cluster ADC counts.

Further more, the performances with respect to the dose and particle flux measurements are displayed in figure 3.18 and 3.19 respectively, and were simulated with the following conditions

- 1) Each frame (20 μ s) contains a number of particles uniformly distributed between 1 and 20.
- 2) There is a 50/50 mix of electrons and protons with a uniform energy distribution between 1 and 100 MeV.
- 3) Particles are always normally incident to the pixel surface.

Figure 3.18 shows a linear matching between the reconstructed energy and the deposited one. The measured standard deviation of the distribution of the difference between the reconstructed and deposited energy amounts to a relative value of 10%. One observes a deviation of the linear behavior only for very high ionizing doses (≥ 5 MeV), generated by low energy protons (< 2 MeV).

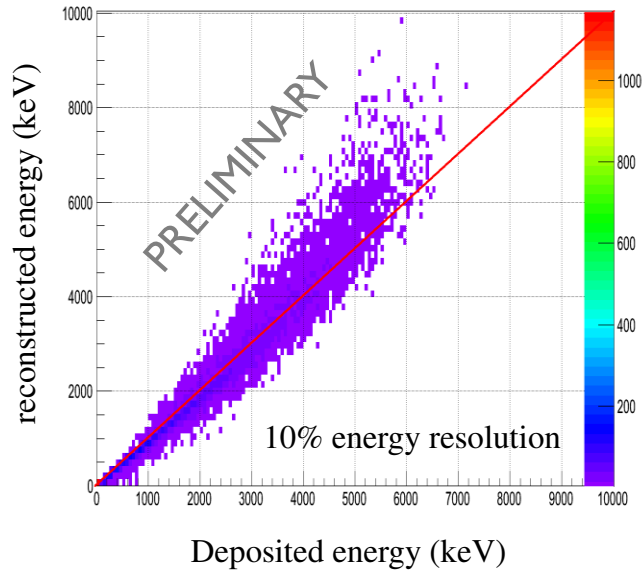


Figure 3.18: Reconstructed energy versus deposited energy.

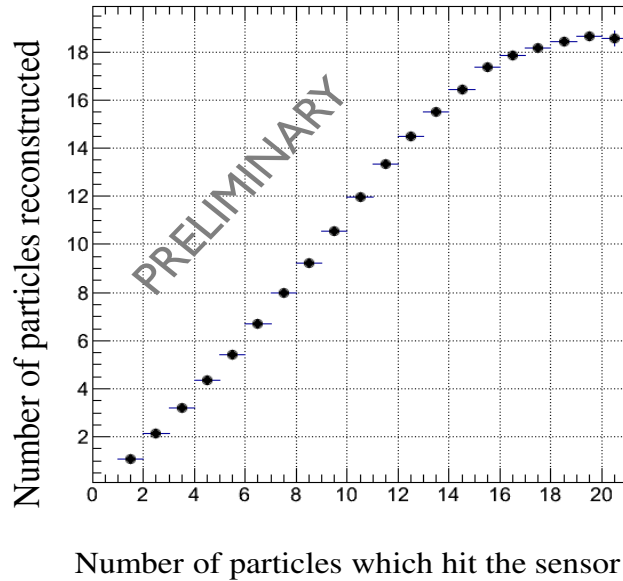


Figure 3.19: Number of clusters reconstructed per frame versus number of particles effectively impinging the sensor.

The sensor’s capability to count particles is displayed in figure 3.19. Good performance is obtained up to about 16 particles per frame, which corresponds to a flux of $0.8 \times 10^7 \cdot \text{cm}^{-2} \cdot \text{s}^{-1}$. This limitation stems mostly from the presence of low energy particles, generating large clusters which merge and confuse the simple clustering algorithm. In addition, 20 μs per frame is the

limitation of acceptable operation speed discussed in section 3.3.1, any improved operation speed in sensor design can lead a proportional improvement of this performance. Thus, the current results should not be taken as an absolute limit of the architecture.

3.4 Conclusions

A CMOS pixel sensor is proposed to be used for the development of miniaturized, accurate and real-time radiation monitor suitable for widespread use on satellites in Earth orbit. Aiming at exploit the best particles identification capability with a single CMOS pixel sensor, the proposed sensor specifications include:

- 1) A 10 mm^2 sensitive area, which contains 64×64 pixels with $50 \text{ }\mu\text{m}$ pitch size;
- 2) Equal or less than $20 \text{ }\mu\text{s}$ operation speed for one frame, which means the time needed for processing one row should $\leq 315 \text{ ns}$ in the rolling shutter operation mode;
- 3) Sensitive input signals from 200 e^- to 4400 e^- for a single sensing diode, and has a relative linear response in this range.
- 4) The ability to digitize useful signals into 3 bits; 200 e^- threshold and 700 e^- LSB are required features.
- 5) A digital processing algorithm embedded right after ADC, which could provide a high level result by the sensor itself and largely reduce the amount of data at the same time.

Carefully simulations indicate the proposed CPS could reconstruct particles deposited energy with in 10% relative uncertainty, thus protons with energy less than 50 MeV could be distinguished from electrons, higher energy protons are probably confused with electrons due to their intrinsic highly similar amount of energy deposited in the thin epitaxy layer of CPS. The estimated particle count ability reaches to about a flux of $10^7 \cdot \text{cm}^{-2} \cdot \text{s}^{-1}$ which is considered as the peak omnidirectional fluxes in the Earth orbit radiation environment.

Bibliography

- [1] T. A. Farley and A. D. Tomassian. *Source of high-energy protons in the Van Allen radiation belt*. Phys. Rev. Lett., 25:47-49, 1970.
- [2] Wikipedia: *Van Allen radiation belt*.
http://en.wikipedia.org/wiki/File:Van_Allen_radiation_belt.svg#filelinks
- [3] D.M.Sawyer and J. I. Vette, AP-8 trapped proton environment for solar maximum and solar minimum, 1976 NASA TM-X-72605.
- [4] J. I. Vette, *The AE-8 trapped electron model environment*, 1991 NSSDC/WDC-A-R&S 91-24
- [5] J. R. Cummings *et al.* New evidence for geomagnetically trapped anomalous cosmic rays. *Geophys. Res. Lett.*, 25:47-49, 1970.
- [6] J. A. Van Allen *et al.* Radiation observations with satellite 1958 ϵ . *J. Geophys. Res.*, 64: 271-286, 1959.
- [7] J. A. Van Allen. *The geomagnetically trapped corpuscular radiation*. J. Geophys. Res., 64: 1683-1689, 1959.
- [8] M. Cyamukungu *et al.* Magnetic storm acceleration of radiation belt electrons observed by the Scintillating Fibre Detector (SFD) onboard EQUATOR-S. *In Ann. Geophys.*, volume 17, pages 1622-1625, 1999.
- [9] B. Taylor *et al.* Results from the Galileo GioveA radiation monitors and comparison with existing radiation belt models. *IEEE Trans. Nuc. Sci.*, 54:1076-1081, 2007.
- [10] S-J. Kim *et al.* Use of a MOSFET for radiation monitoring in space and comparison with the NASA trapped particle model. *J. Korean Phys. Soc.*, 48:865-869, 2006.
- [11] I. Thomson *et al.* Dose-depth and SEU monitors for the STRV-1c satellite. *IEEE Trans. Nuc. Sci.*, 45:2765-2770, 1998.
- [12] A. Mohammadzadeh *et al.* The ESA Standard Radiation Environment Monitor program first results from PROBA-I and INTEGRAL. *IEEE Trans. Nuc. Sci.*, 50:2272-2277, 2003.
- [13] H. D. R. Evans *et al.* Results from the ESA SREM monitors and comparison with existing radiation belt models. *Adv. Space Res.*, 42:1527-1537, 2008.
- [14] M. Siegl *et al.* Inner Belt Anisotropy Investigations Based on the Standard Radiation Environment Monitor (SREM). *IEEE Trans. Nuc. Sci.*, 57:2017-2023, 2010.
- [15] T. S. Lomheim *et al.* Imaging Charge-Coupled Device (CCD) Transient Response to 17 and 50 MeV proton and Heavy-Ion Irradiation, IEEE Transactions on Nuclear Science, Vol. 37, No. 6, p. 1628-1637, December 1990.

- [16] A. M. Chugg et al. A CCD miniature radiation monitor. *IEEE Trans. Nuc. Sci.*, 49:1327-1332, 2002.
- [17] L. S. Pinsky *et al.* Preparing for the first Medipix detectors in space. In *Aerosp. Conf. Proc.*, pages 1-6, 2012.
- [18] X. Llopart et al. Timepix, a 65k programmable pixel readout chip for arrival time, energy and/or photon counting measurements. *Nucl. Instrum. Meth. A*, 581:485-494, 2007.
- [19] L. S. Pinsky *et a.* Penetrating heavy ion charge and velocity discrimination with a TimePix-based Si detector (for space radiation applications). *Nucl. Instrum. Meth. A*, 633:S190-S193, 2011.
- [20] N. Guerrini et al. Design and characterization of a highly miniaturized radiation monitor HMRM. *Nucl. Instrum. Meth. A*, 731:154-159, 2013.
- [21] ESA directorate of technical and quality management. Statement of work: *Highly miniaturised radiation monitoring and highly miniaturised active MEO radiation monitor Ph. A-B*. T604-001EE and T704-027EE, 2009.
- [22] R. Coath et al. A low noise pixel architecture for scientific CMOS monolithic active pixel sensors, *IEEE Trans. Nucl. Sci.* NS 57, 5, 2010.
- [23] Stopping-power and range tables for protons and electrons. NIST (National institute of standards and Technology) Physical Meas. Laboratory.
<http://physics.nist.gov/PhysRefData/Star/Text/PSTAR.html> for protons;
<http://physics.nist.gov/PhysRefData/Star/Text/ESTAR.html> for electrons.
- [24] A. Besson, *The AIDA-SALAT simulator*, September, 6 - 9, 2011 Mont Sainte Odile, France.

Chapter 4

General COMETH architecture

According to the previous study and simulations described in chapter 3, a CPS named as COMETH was proposed. It features a sensitive area of $3.2 \times 3.2 \text{ mm}^2$, comprising 64×64 square pixels with a $50 \text{ }\mu\text{m}$ pitch size. A single $4.3 \times 4.3 \text{ }\mu\text{m}^2$ n-well/p-epi sensing diode locates at the center of each pixel. The size and position of the sensing diode was chosen to be the same with these MIMOSA chips used to generate the PSF (Point Spread Function) which is the foundation of the simulations introduced in chapter 3. Right after the sensing diodes, the signal processing chain mainly contains three parts: analogue signal processing, analogue to digital conversion and digital signal processing. This chapter is going to introduce how the constraints and specifications for the design of these parts were draw from all the previous study. Each part will be discussed respectively and the global architecture will be introduced at the end of this chapter.

4.1 The analogue signal processing

Simulation introduced in chapter 3 indicates the useful charge may collected by a single diode varies from around 300 e^- to exceed 100 kilo e^- . The signal could be either very weak or extremely strong. The voltage drop generated on the charge sensing diode by these small signals typically being of the order of several mV; while these large signals could easily complete discharge the sensing diode.

The self-biased pixel architecture used in MIMOSA 26 was demonstrated to have low noise and good radiation tolerance; however it takes more time to recharge the diode than the reset architecture. COMETH not only has to face a continuously high particle flux environment but also would be completely discharged by these large signals. The reset architecture was chosen instead of self-biased architecture, so the sensing diode could recover quickly from large signals and get ready for the next coming event.

Similar with MIMOSA 26, the smallest useful signal and the Fixed Pattern Noise (FPN) are about the same order of magnitude, and due to the need for further on-chip data sparsification. The main concern for the signal processing right after the sensing diode would be signal

amplification and noise limitation. Therefore, an amplifier is needed to be integrated as close as possible to the charge sensing diode; a double sampling circuit is also required to remove the offset of the amplifier and the reset noise of the detector.

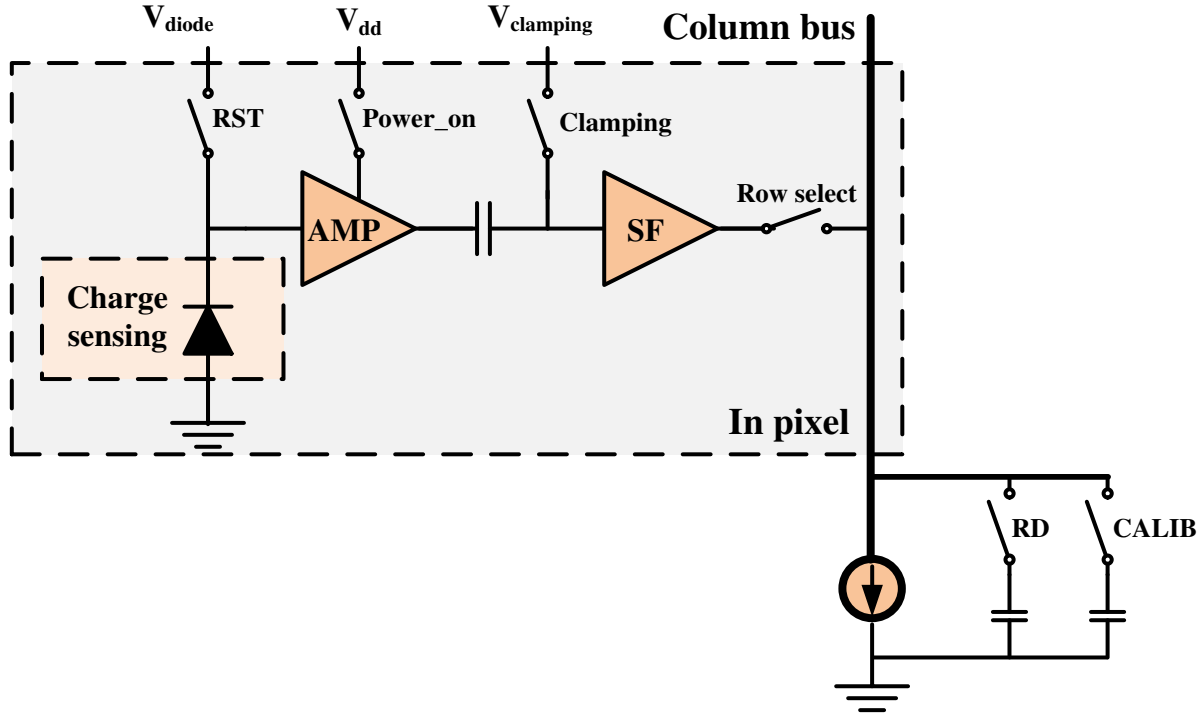


Figure 4.1: Analogue signal processing architecture of COMETH.

Figure 4.1 illustrates the general analogue signal processing architecture of COMETH. Most of the parts are in pixels. The sensing diode is biased with an active reset structure and connected with a very close placed pre-amplifying stage (AMP). The double sampling circuitry is made up of this AMP, a serially connected capacitor and two reset switches (RST & Clamping). The first switch is used to reset the detection diode and the second one is used to memorize on the capacitor of the offset of the preamplifier and the reset level of the diode. A Source Follower (SF) is used to output the signal on the common data bus. The pixel output values before and after reset would be memorized on the column level capacitors during two sampling phases (RD & CALIB); their difference would be the signal value free from the offset values of the AMP and SF stages. Considering the trade-off between speed and power dissipation, the pixel matrix readout mode would be the same with MIMOSA 26, pixels are processed row by row by controlling the row_select switch. The switch power_on is used to turn off the AMP stage while the pixel is not in processing, thus largely reduced the power dissipation.

4.2 Analogue to Digital conversion

A critical building block in CPS used in high energy physics is the ADC, which contribute significantly to the sensor' area, speed, cost and power consumption. In this section, the ADC

definition, general important specifications in ionizing radiation detection, and the desired specifications for the ADC used in COMETH are introduced.

4.2.1 ADC definition

A/D converters are the link between the real (analogue) world of transducers and the digital codes of signal processing and data handling. Figure 4.2 shows conceptually how an ADC works. Analog signals have a continuous range of values on the real number line. An ADC takes a range of the real number line and divides it into smaller uniform (usually but not always) sub-ranges. The size of each of the sub-ranges is often referred to as the step size. To each sub-range or step a code is assigned. Then, during the conversion process input samples (analogue signal) are taken and mapped onto this real number line. The ADC then decides which sub-range corresponds to the sample and outputs the appropriate digital code.

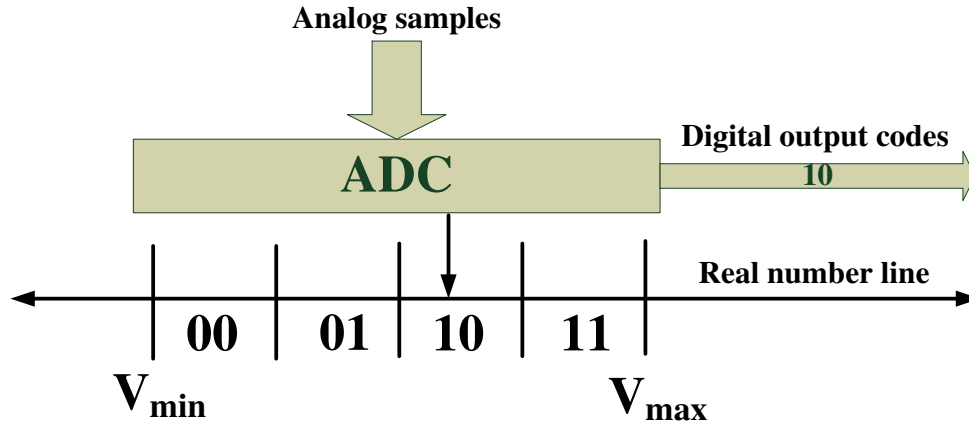


Figure 4.2: ADC description.

A typical transfer curve of the N-bit ADC is shown in Fig. 4.3. From this curve, it can be seen that a sub-range of the input analog values is represented by the same digital output code. For instance, for the analog input in the range from $\frac{1}{2}V_{LSB}$ to $\frac{3}{2}V_{LSB}$, the output code is always 00...01. Here, V_{LSB} is the value of the LSB (Least Significant Bit), which is defined as:

$$V_{LSB} = \frac{1}{2^N} (V_{max} - V_{min}) \quad (4.1)$$

This effect, resulting from the finite resolution of the ADC, introduces an ambiguity between the original analog input and its digitalized value, which is called “quantization error”, which is also shown in Fig. 4.3. The range of quantization error is from $-\frac{1}{2}V_{LSB}$ to $\frac{1}{2}V_{LSB}$ continuously through the entire input range.

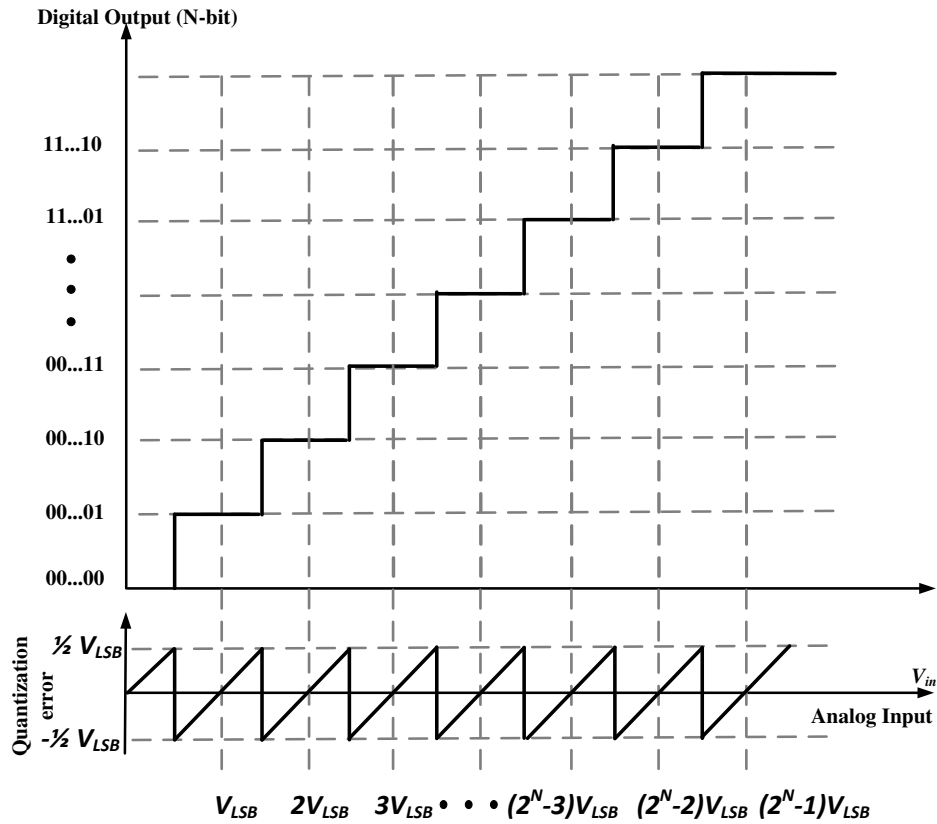


Figure 4.3: Typical transfer curve of an N-bit ADC.

A comparator is the basic and essential element of an ADC. It is a device that compares two voltages or currents and makes a decision based on which of the quantities is larger. The operation of a comparator is illustrated in figure 4.4. It has two analogue input terminals V_i and V_R and one binary digital output V_o . Ideally, V_o equals to 1 or 0 indicating which input is larger.

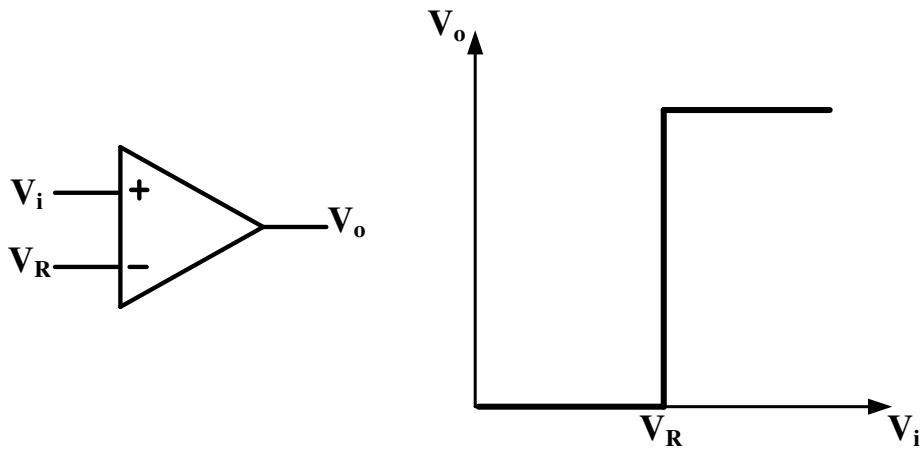


Figure 4.4: Comparator Circuit and Transfer Function.

4.2.2 ADC Characterization

The number of output bits from an A/D converter does not fully specify its behavior. Real A/D converters can differ from ideal behavior in many ways. Ultimately, the application determines the requirements, and A/D converter resolution may not be either necessary or sufficient to specify the required performance. Some of the most important characteristics describing the performances of the ADC are introduced below.

Resolution

Resolution describes the fineness of the quantization performed by the ADC. For a fixed full scale input range, a high resolution ADC can resolve smaller signals than a low resolution ADC is able to resolve. It is usually defined as the number of distinct analog levels corresponding to the different digital words. Therefore, an N-bit resolution implies that the converter can resolve 2^N distinct analog levels. Resolution is usually degraded by either noise or nonlinearity.

Offset and Gain error

In an ideal ADC, a specific input signal of $V_{\text{threshold}}$ will cause the output code passes from zero to one. Any deviation from this point is called the Offset Error. It is defined to be the input analog signal that should produce zero output. It can be expressed as the deviation of $V_{00\dots01}$ from $V_{\text{threshold}}$, given by the following equation:

$$E_{\text{off}} = \frac{V_{00\dots01} - V_{\text{threshold}}}{V_{\text{LSB}}} \quad (4.2)$$

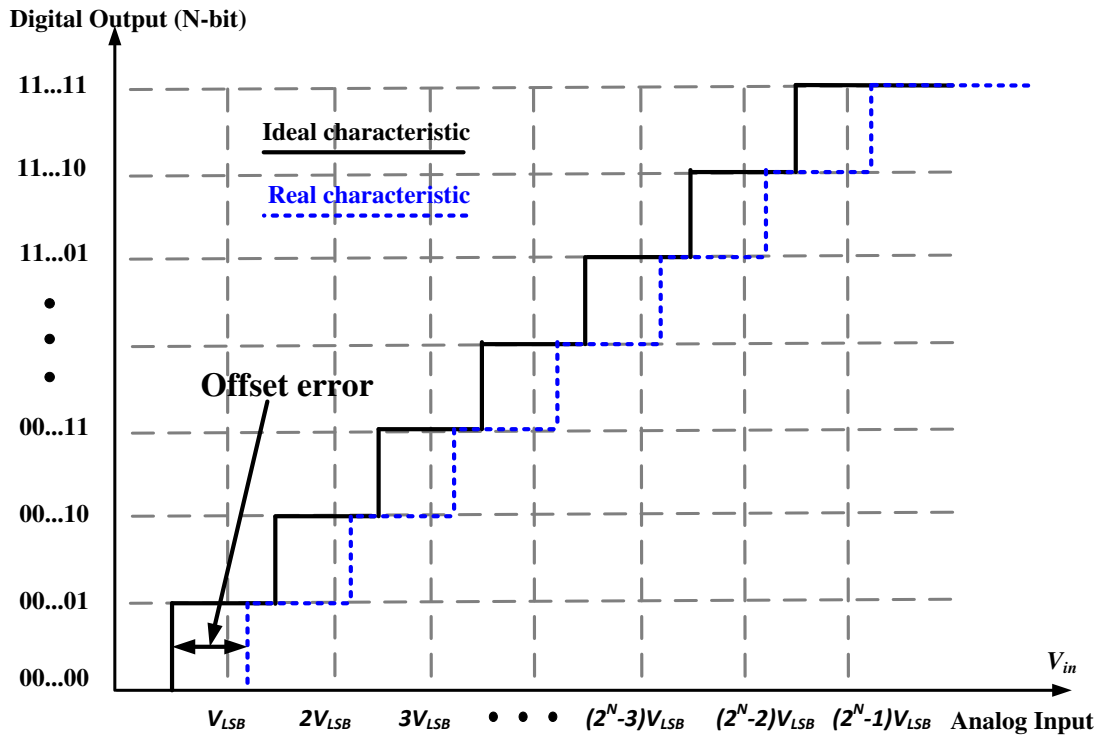
The unit is LSB. The Offset error is a constant and can be calibrated out.

The Gain Error is defined to be the difference at the full-scale value between the ideal and actual curves when the Offset Error has been reduced to zero. For an ADC, it is given by:

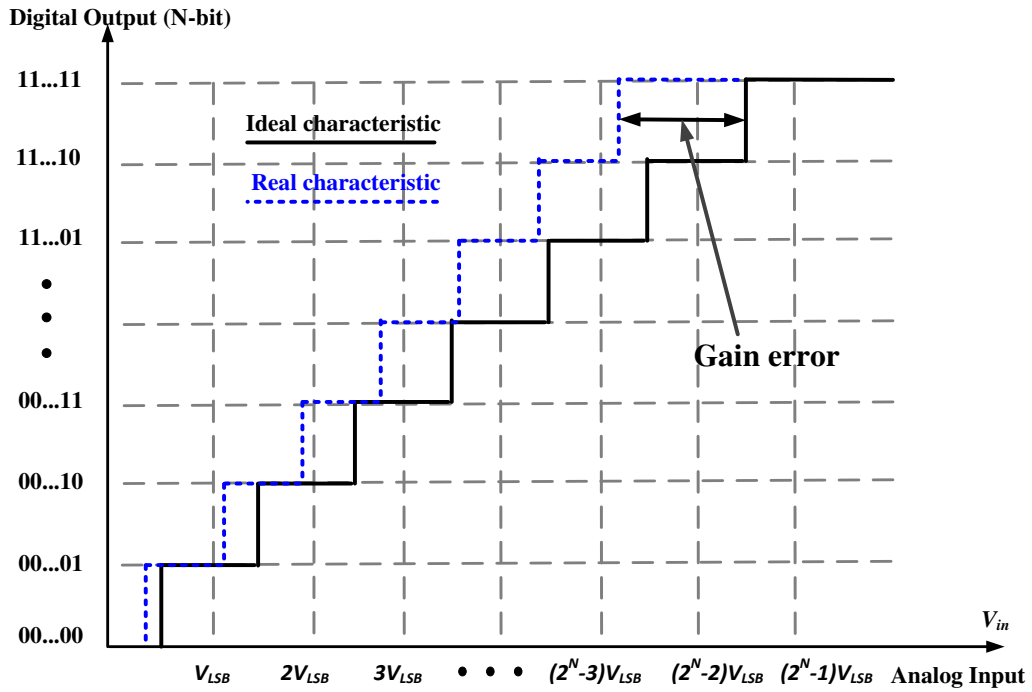
$$E_{\text{gain}} = \left(\frac{V_{11\dots11} - V_{00\dots01}}{V_{\text{LSB}}} \right) - (2^N - 2) \quad (4.3)$$

Where $V_{00\dots01}$ and $V_{11\dots11}$ represent respectively the transition voltages for the codes 00...01 and 11...11, which are $\frac{1}{2} V_{\text{LSB}}$ and $((2^N - 2) + \frac{1}{2})V_{\text{LSB}}$ in the ideal case.

Graphically, the Offset and Gain Error are illustrated in Fig. 4.5.



(a) Offset error of an N-bit ADC



(b) Gain error of an ADC.

Figure 4.5: Offset and gain error of an N-bit ADC. It is assumed that all other errors are not presented.

Nonlinearity

Some applications, such as telephone codecs, require an ADC that is intentionally nonlinear. However, most ADCs are intended to have a transfer characteristic that approximates a straight line. As the resolution increases, the input-output characteristic of the ADC approximates a straight line; the transfer characteristic for an ideal version of such an ADC progresses from low to high in a series of uniform steps. Due to this fact, nonlinearity exists even in an ideal ADC. The transfer characteristic of a practical ADC contains steps which are not perfectly uniform, and this deviation generally contributes to further nonlinearity. Two types of nonlinearity are used to characterize this deviation.

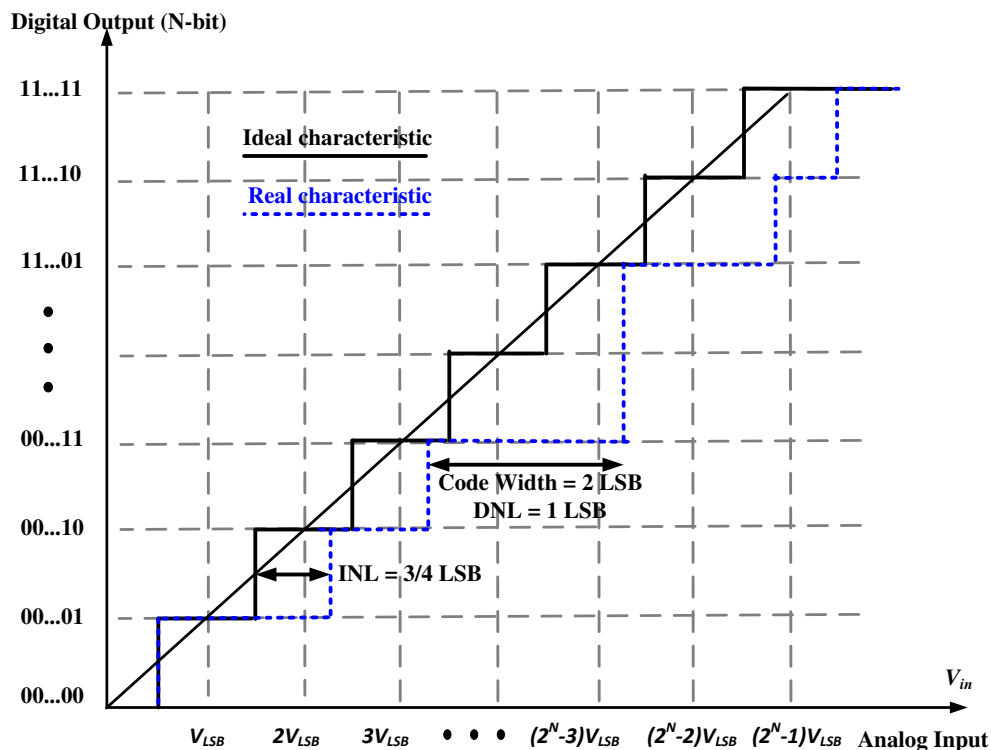


Figure 4.6: Example Transfer Characteristic of an N-bit ADC Showing DNL and INL.

A. Integral Nonlinearity (INL) error

The INL of the ADC measures the straightness of the transfer function. It is defined as the difference between the actual transfer characteristic and the straight line characteristic which the ADC is intended to approximate. Practically, it can be calculated by the differences between the real output code and the ideal output code.

B. Differential Nonlinearity (DNL) error

The DNL of the ADC describes the error in each step size. It measures how far each of the step sizes deviates from the nominal value of the step size. The differential nonlinearity is zero if every transition to its neighbors equals 1LSB. It is given by:

$$DNL = A_{input}(Q_{m+1}) - A_{input}(Q_m) - 1LSB \quad (4.4)$$

Q_{m+1} and Q_m are two adjacent quantization levels. $A_{input}(Q_n)$ is the analog input voltage corresponding to the quantization level Q_n .

DNL and INL are both plotted as a function of code and generally expressed in terms of LSB. Figure 4.6 illustrates DNL and INL.

AD conversion time and Sampling rate

In an ADC, the conversion time is the time needed for the converter to complete a full single measurement including sampling of the input signal and output the digital codes. The sampling rate is the inverse of the conversion time, which indicates the number of times the input signal is sampled per second.

Signal-to-Noise ratio (SNR)

For an ideal N-bit ADC, the maximum output signal is the full scale signal and the output noise is due to the quantization noise. As $-\frac{1}{2}V_{LSB} < \varepsilon < \frac{1}{2}V_{LSB}$, the error due to the quantization noise is

$$\sigma = \sqrt{\frac{1}{V_{LSB}} \int_{-\frac{1}{2}V_{LSB}}^{\frac{1}{2}V_{LSB}} \varepsilon^2 d\varepsilon} = \frac{V_{LSB}}{\sqrt{12}} \quad (4.5)$$

While the rms value of a full-scale peak-to-peak amplitude V_{FS} is $\frac{V_{FS}}{2\sqrt{2}}$. The SNR of an ideal

N-bit ADC when the noise is due only to quantization can be directly calculated and given by:

$$SNR = \frac{\frac{V_{FS}}{2\sqrt{2}}}{\sigma} = \frac{2^N V_{LSB} / 2\sqrt{2}}{V_{LSB} / \sqrt{12}} = \frac{2^N \sqrt{6}}{2} \quad (4.6)$$

Converting into decibel result is:

$$SNR = 6.02N + 1.76 \text{ dB} \quad (4.7)$$

Dynamic range

Dynamic range is a measure of the range of input signal amplitudes for which useful output can be obtained from a system. It can be defined as the ratio between the maximum and the minimum of input signals that can be resolved by the converter. As the minimum input signal is equal to

V_{LSB} , the dynamic range of an ideal N-bit ADC equals to its maximum SNR which is given by the equation 4.7.

Power Dissipation

For the ADCs been implemented in large systems without sophisticated cooling (e.g. vertex detector introduced in chapter 2) or portable systems powered by a battery with limited energy (e.g. highly miniaturized space radiation monitor), power dissipation is becoming an important specification. Reducing power dissipation can help in maintaining the system temperature or improving the battery life.

4.2.3 Specifications for the ADC used in COMETH

The ADC required by COMETH should digitize the analogue signal from pixels into 3-bit and provide the digital results to the following processing block. Therefore, its operation mode and conversion time should match with the analogue processing of each pixel; its data output mode should be easier for further processing; simple and low power consumption architecture are better while the desired characteristics are satisfied.

The most primary specification for the 3-bit ADC used in COMETH is implementation level which will almost affect every aspects of the ADC design even the whole processing system. There are three ways to implement an ADC on CPS:

1. Chip-level, where a single ADC circuit serves the whole APS array. This method does not suffer from the performances variation from one ADC to another; however it requires a very high speed convertor for a large frame rate and high pixel count applications.
2. Column-level, where each column has a dedicated ADC, forming a single array of A/D converter serving the entire APS. All these ADCs operate in parallel, so a low-to-medium speed ADC design can be used, depending on the array size. The problem of such an approach is mismatch between the ADC on different columns giving rise to fixed pattern noise.
3. Pixel-level, where every pixel has its own converter. This allows extremely parallel operation of all ADCs in the APS array resulting in high speed conversion and faster readouts. Also it eliminates read related column fixed-pattern noise and reduces the analog circuit requirement for Correlated Double Sampling (CDS). Using one ADC per pixel has advantages of higher SNR, low power consumption and simpler design. One main disadvantage however is fixed-pattern noise due to mismatch variation could be much worse.

To avoid particle pile-up, the operation speed of COMETH is foreseen to be less than 20 μ s per frame. The required sampling rate for a chip-level ADC implemented should at least be:

$$\frac{\text{No. of pixels}}{\text{Frame time}} = \frac{64 \times 64}{20 \times 10^{-6}} \approx 205 \text{ MS/s} \quad (4.8)$$

Although it is a quite high speed requirement, it still can be satisfied by a flash or folding and interpolating ADC [1]. However, the chip-level ADC would process signals and provide results pixel by pixel; the successive data providing mode would require extra memories for the following digital processing which is based on the data map of the whole matrix in each frame. In addition, these high speed ADCs typically suffer from low accuracy, large area and high power dissipation.

Analysis by several authors [2, 3] shows that pixel level ADC should achieve the highest SNR and the lowest power consumption, since it is performed in parallel, close to where the signals are generated, and operates at low speed. However, for CPS used in radiation detection, the use of PMOS transistors inside the pixel array is restricted in most processes, since PMOS transistors are placed in n-well which would compete for charge collecting with the sensing N-well diode. Therefore, in most of processes, pixel-level ADC is unsuitable for radiation detection.

Column level implementation provides a promising solution. Comparing to the chip-level ADC, the required sampling rate of column ADC for COMETH would reduce 64 times which would be around 3.2 MS/s. The release of the speed requirement could lead to an improved accuracy, and simpler design. Row by row provided data is also release the large memory or highly speed requirement for the following digital processing.

As described in chapter 3, the average hits per frame on COMETH are less than 20. Most of the hits trigger clusters with less than 4 pixels. Averagely, more than 97% of the 4096 (64×64) pixels are unfired during the operation. The ADC is better to have a “sleep” mode for the signals lower than a preset “threshold” value through which could efficiently save the power dissipation. In addition, most of the signal data after 3-bit digitization provided to the digital processing block would be ‘000’, an extra bit which tells the 3-bit signal value is ‘0’ or not would be a plus for the following digital algorithm.

Thereby, the desired digitization block for COMETH would be realized by column-level 3-bit ADC which provides 4-bit data containing an extra bit to tell the signal value is ‘0’ or not. The ADC operation should match with the pixel signal processing. Constrained by the pixel pitch, the layout of column-level ADC should be implemented in the rectangle area with 50 μm width.

4.3 The embedded digital signal processing

The sensor’s digital response after the 3-bit digitization would be as emulated in figure 4.7. The foremost concern of the following digital signal processing logic is to get the desired functionality right. As described in section 3.3.2.4, the basic required functions include:

1. Clusterization: which is recognizing the fired pixels belongs to one cluster (fired by a single hit);

2. Summation: sum all the pixels' ADC outputs that belong to the same cluster;
3. Separation: based on the different addition results, which represent the various particle species and energies, separate the events to different memories;
4. Counting: count the events of different memories and directly output the counting results from different memories.

Then, in order to realize real-time data providing, its operation rate should match with the ADC data providing rate.

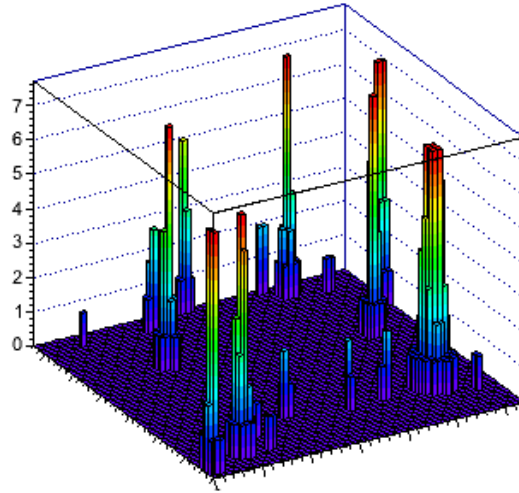
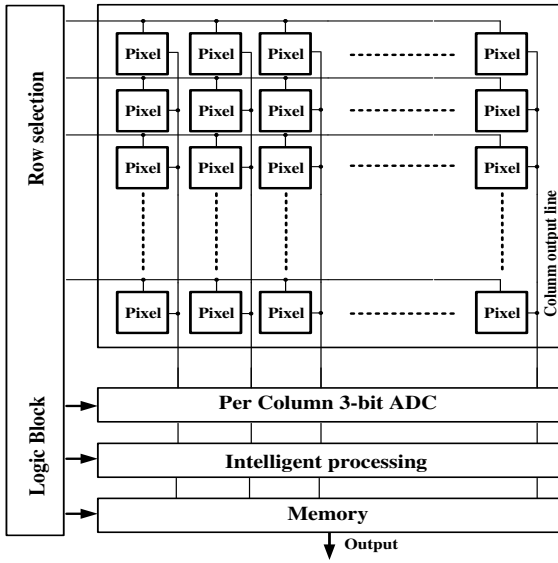


Figure 4.7: Emulated COMETH 3-bit digitized response of one frame.

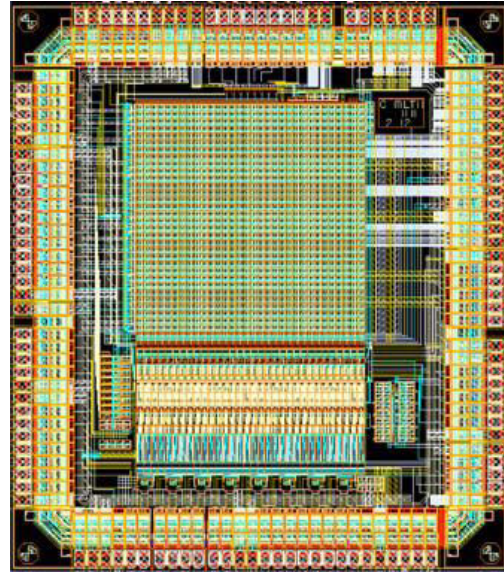
4.4 Global architecture of COMETH

Figure 4.8 (a) illustrates the global architecture of the proposed sensor COMETH. A 64×64 pixels matrix operates in the rolling shutter operation mode; 64 column 3-bit ADCs are used to digitize the analogue signals from pixels row by row; the data flow provided by ADCs are processed by the embedded digital processing logic in real-time; the final outputs are expected to directly provide the particles' flux information by their species and energies. Its required operation speed is at least 50,000 frames per second aiming at a particle count ability about $10^7 \cdot \text{cm}^{-2} \cdot \text{s}^{-1}$ with marginal error due to particle pile-up.

The first prototype without the digital processing logic was design and fabricated in a $0.35 \mu\text{m}$ process during summer 2012. It features a reduced scale with 32×32 pixels and 32 column ADCs; its layout is shown in figure 4.8 (b). The embedded identifying and counting algorithm was also designed and simulated in the same process. The design and test details of each signal processing part will be introduced in the following chapters.



(a)



(b)

Figure 4.8: Global architecture of COMETH (a) and the layout (3.5 mm × 4 mm) of the first reduced scale prototype (b).

Bibliography

- [1] Imran Ahmed. *Pipelined ADC Design and Enhancement Techniques*. Analog Circuits And Signal Processing, Springer, 2010.
- [2] U. Ringh, *et al.* Readout concept employing a novel on Chip 16 bit ADC for smart IR focal plane arrays. *Proceedings of SPIE*, Vol. 2745, 1996.
- [3] B. Pain, *et al.* Approaches and analysis for on-focal-plane analog-to-digital conversion. *Proceedings of SPIE*, Vol. 2226, 1994.

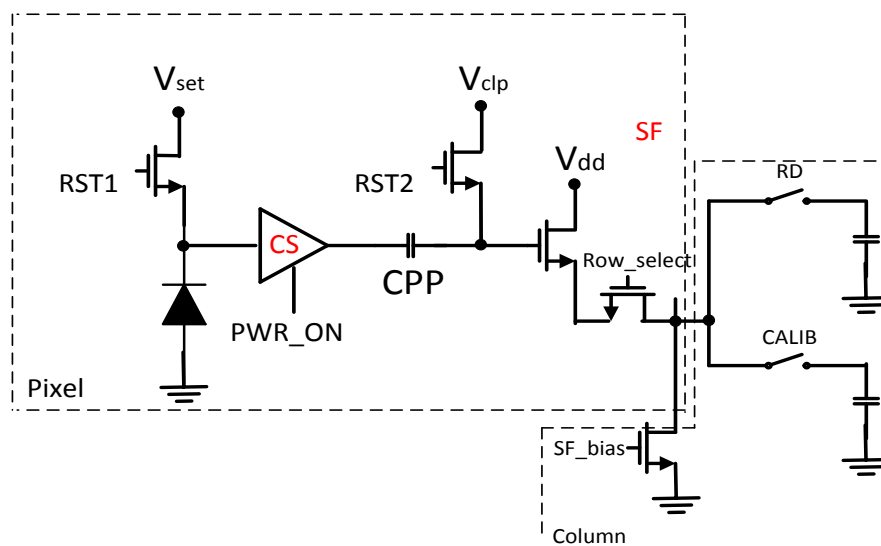
Chapter 5

Analogue signal processing

In COMETH, the key design points of the analogue signal processing right after the sensing diode are a high SNR for the smallest expected signals ($300 e^-$) and a relative linear response for the concerned signal range (up to $4400 e^-$); meanwhile, a processing time less than 312 ns per pixel (corresponding to 20 μs per frame), the diode fast reset and complete recovery from large signals and low power dissipation are also required. This chapter is going to describe the design details and the test results obtained with X-rays, β - particles and laser illumination which confirm the sensitivity and simulated responses of this sensor technology to electrons.

5.1 Pixel design

The analogue signal processing mainly concentrated in the pixel. As discussed in section 4.1, the final chosen pixel schematic and its operation timing are illustrated in figure 5.1.



(a)

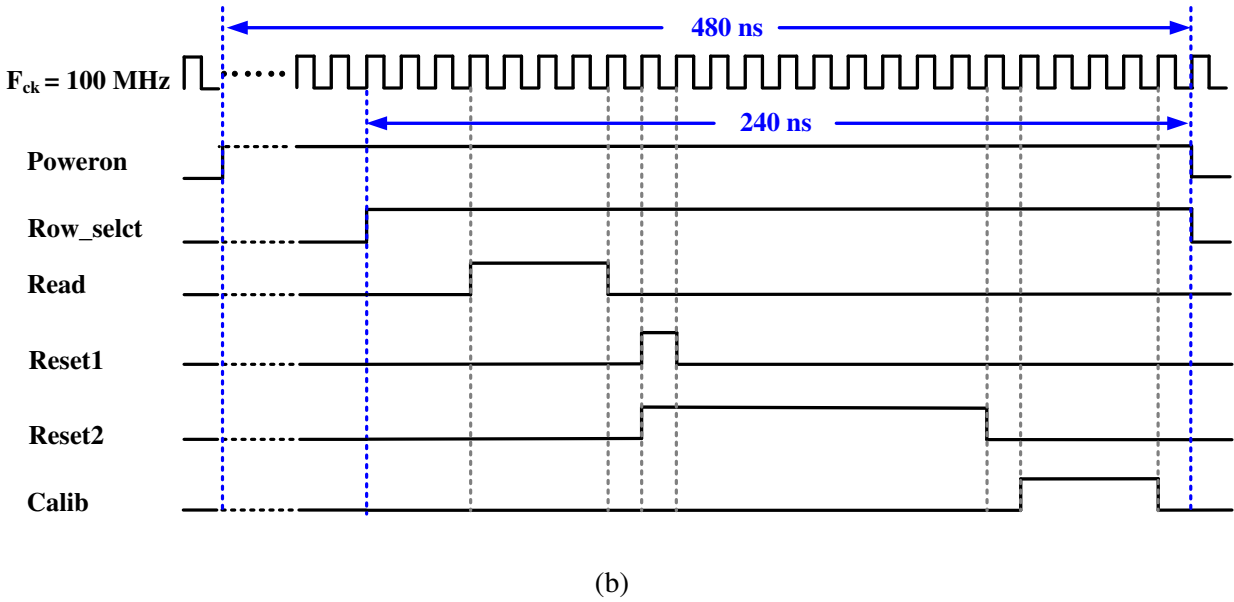


Figure 5.1 : (a) Schematic of the pixel and, (b) related timing.

The schematic consist a sensing diode with active reset structure, a double sampling circuit, and a Source Follower (SF). The active reset structure helps the diode recover quickly from high flux and large signal environment; the double sampling is used to suppress reset noise of the diode capacitance and pixel-to-pixel offset non-uniformities; and the source follower is used to output the signal on the column data bus.

The in-pixel double sampling circuit is employed due to the limited achievable CVF ($\sim 20 \mu\text{V}/e^-$ maximum) with the sensing diode and the small signals (several hundreds of electrons) concerned in COMETH application; an amplify stage and double sampling are employed to obtain a higher CVF and overcome the residual pixel-to-pixel and column-to-column fixed pattern noise. The double sampling circuit is made up of a Common Source (CS) preamplifier, a serially connected poly to poly capacitor (CPP in figure 5.1) and two reset switches. One switch (RST1) is used to reset the detection diode and the other one (RST2) is used to memorize the offset of the pre-amplifier on the capacitor as well as the reset level of the diode. “Read” and “CALIB” are column level commands to memorize the output signal level and the column reference level respectively. The operation is as follows.

- During offset sampling phase, both switches RST1 and RST2 are closed, so that the offset of CS is memorized on the series capacitor CPP. The value is $A V_{\text{off_CS}}$, where A is the gain of the CS stage.
- After that, the RST1 open firstly. Because RST2 remains closed at this moment, the reset noise of the RST1, intensified by the gain of CS, is also memorized on CPP. Then RST2 opens, the value memorized on the capacitor CPP is equal to: $A(V_{\text{off_CS}} + V_{\text{noise_rst1}})$.

- After integration, when the signal is readout, the offset of CS and the reset noise of RST1 could be compensated thanks to the information stored on CPP. The following operation is performed:

$$A(V_{\text{sig}} + V_{\text{off_CS}} + V_{\text{noise_rst1}}) - A(V_{\text{off_CS}} + V_{\text{noise_rst1}}) \quad (5.1)$$

The remaining value after readout is then equal to AV_{sig} , free of the offset of CS stage and the reset noise of RST1.

- During the Read phase (readout of the signal), the voltage V_{RD} , sampled by the readout circuitry, is the signal value which contains the offset of the SF stage.
- During the Calib phase (readout of the reference level), the pixel readout and sampling the reference level V_{CALIB} , it also contains the offset of the SF stage.

Finally, the useful signal is the difference between these two levels, free from the offset mismatches of the SF stage. The noise sources not being removed after the above process are the reset noise of RST2 and the $1/f$ noise. However, the reset noise voltage of RST2 is equal to $\sqrt{kT/CPP}$, it could be reduced by selecting a large value of CPP and the $1/f$ noise is very small because the pixel is designed for high speed operation.

The key points of this design are:

- Only NMOS transistors are used in this architecture, since any PMOS transistors would compete for charge collection with the sensing N-well diode.
- The reset transistors (RST1, RST2) should remain in linear region for a fast reset. It requires, for the two reset transistors RST1 and RST2, $V_{\text{GS}} - V_{\text{DS}} > V_{\text{th}}$. Since the logic level applied on their gate as the command is 3.3 V and V_{th} is about 0.7 V, the reference voltages chosen for RST1 and RST2 should be less than 2.6 V.
- The CS stage should remain in appropriate operation region. It requires trade off among: a higher gain for a larger CVF, an efficient input dynamic range and a relative linear response.
- The selecting value of CPP is better to be large to reduce the reset noise of RST2; however, a large CPP value requires a long time for its previous CS stage obtaining a stable output which will limit the whole pixel operation speed. In this design, for the noise concern, a large value of CPP (150 fF) is chosen, thus the operation speed is slightly sacrificed.
- There are two occasions the CS stage output required to be stable during the operation, one is before the signal reading (read) and the other is before calibration (calib). To provide enough time for the CS stage output getting stable before signal reading, the CS

stage should be powered on (poweron) before the pixel is selected to read (row_select). In fact, to simplify the sequence, during the operation two rows are powered on (power_on) while only one row is selected to read (row_select), thus 270 ns is left for the CS stage output getting stable before signal reading which is more than enough. For the second occasion, the right side voltage of the CPP should keep at V_{clp} (Reset2) until its left side voltage getting stable; insufficient reset2 timing would leave a residual small signal for the very next frame while a large signal occurs. It requires 100 ns (Reset2) for this design.

- The SF stage should remain in appropriate operation region. Its input dynamic range should match with the output range of the previous CS stage; it should have a stable gain and supply efficient current to drive the following column processing.

5.1.1 The CS pre-amplify stage

As represented in Fig. 5.2, the simplicity of the CS amplifier reduces the offset mismatches of the transistors, while the design of it is crucial to the pixel performance. A high gain is desirable to achieve a high CVF, but it generally requires a high output resistance, increased input capacitance, reducing the input dynamic range, degrading the speed, linearity and the noise performance of the circuit.

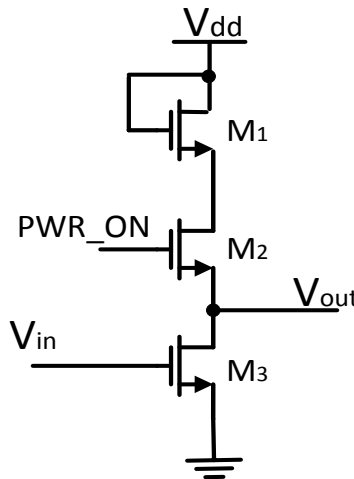


Figure 5.2: Common source amplifier stage used inside the pixel.

The transistors M_1 and M_3 make up the amplifier, where M_1 is the load of M_3 . The voltage gain of the amplifier is given by:

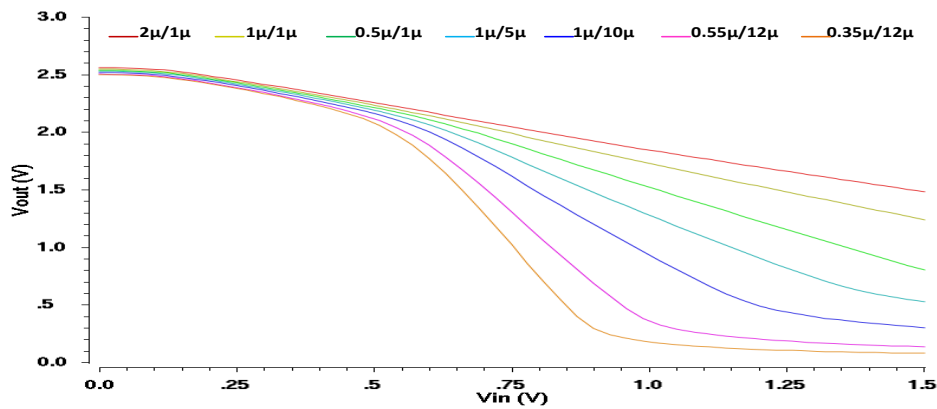
$$A_v = -\sqrt{\frac{(W/L)_3}{(W/L)_1}} \frac{1}{1+\eta} \quad (5.2)$$

where W and L are respectively the width and the length of the transistor channel. In the equation, η is equal to $\frac{g_{mb1}}{g_{m1}}$. Here, g_{m1} is the transconductance of M_1 and g_{mb1} is defined as $\frac{\partial I_D}{\partial V_{BS}}$

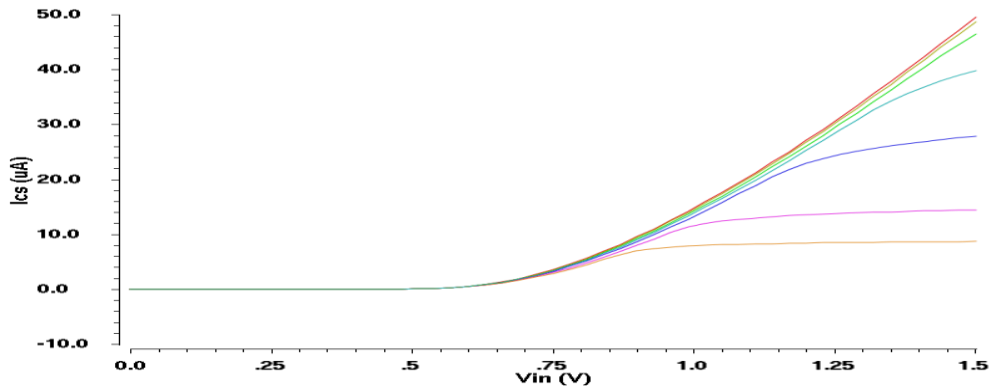
of M_1 where I_D is the current passing through the drain of M_1 and V_{BS} is the bulk to source voltage of M_1 .

One additional transistor (M_2) is added in the basic architecture. It is used as a switch to cut off the power of the CS stage when the pixel is in the integration mode. For this transistor, a rather high W/L (length to width ratio of the transistor channel) is preferable in order to reduce the turn on resistance, so that it has only very slight effect on the performance of the CS stage.

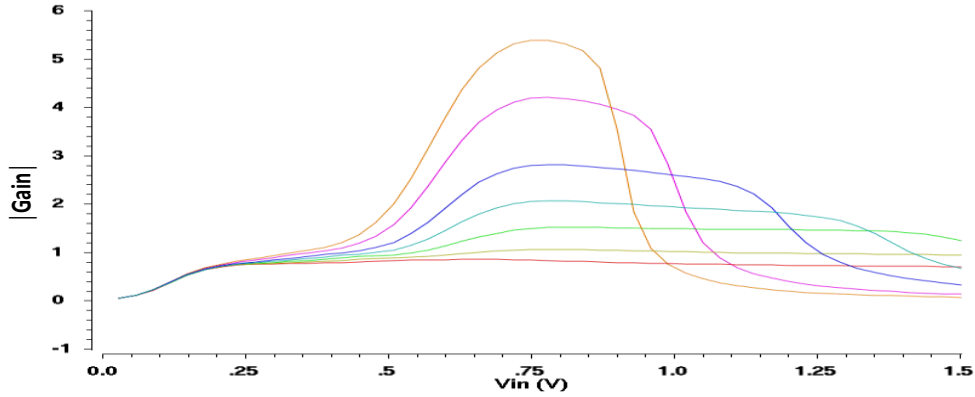
M_3 transfers the input voltage into current. In order to obtain a high voltage gain and a fast conversion, the minimum L should be used and a large value of W is preferred. However, the charge detection diode is connected with M_3 , so increasing the value of W of M_3 means to increase also the parasitic capacitance around it, decreasing the corresponding CVF value. Therefore, moderate value of W is chosen to ensure a reasonable current and the voltage gain is mainly obtained by varying W/L of M_1 . Several different values of W/L are tested in the simulation. Fig. 5.3 shows the simulation results of static characteristics of the CS stage.



(a) Input-output voltage characteristic



(b) Voltage-current characteristic of M_3



(c) Absolute values of the voltage gain

Figure 5.3: Static characteristics of the CS stage under different W/L values of M1.

It can be seen that with the W/L ratio of M_1 decreases, the absolute value of the voltage gain increases and the corresponding dynamic range decreases. In this design, the compromise is reached with a W/L ratio of $0.55\mu/12\mu$. As illustrated in Fig. 5.4, the absolute gain value is from 3.8 to 4.2 with a dynamic range of 250 mV which corresponding to collected signal charge around $10000 e^-$.

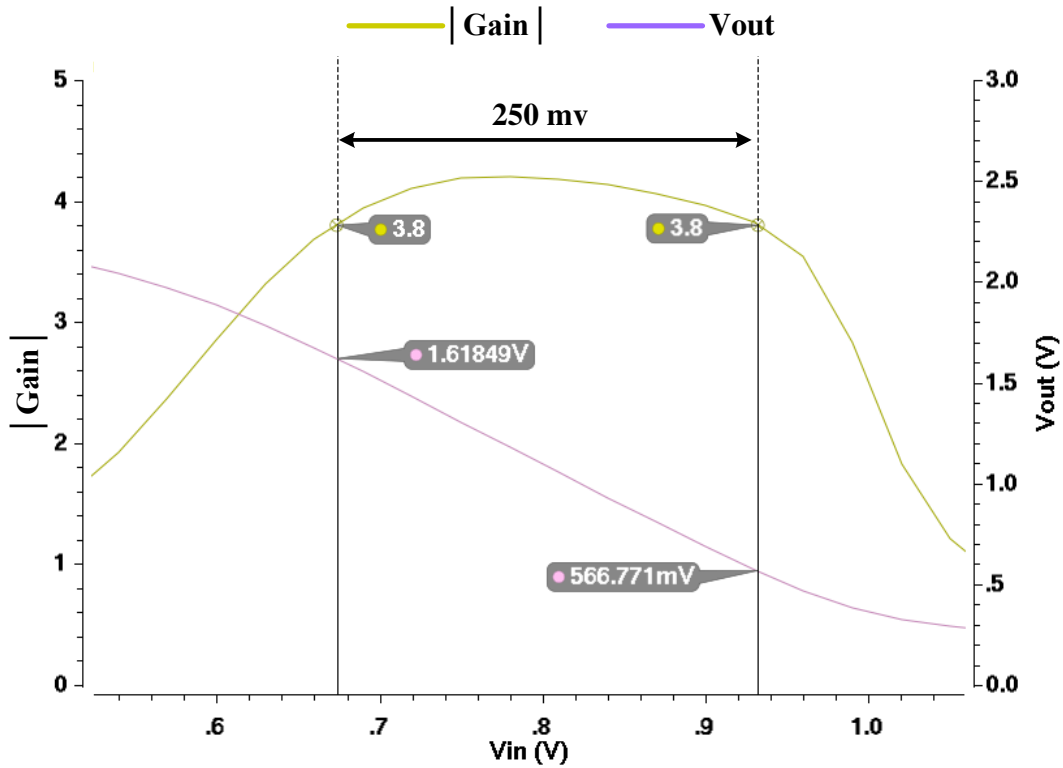


Figure 5.4: Static characteristics of the CS stage with W/L ratio of M1 equals to $0.55\mu\text{m}/12\mu\text{m}$.

This 10000 e^- signal range used in design is almost twice the signal value concerned (0 to 4400 e^-) and used for energy reconstruction introduced in section 3.3.2.3. It is because the gain of the CS amplifier is not stable and linear all over its operation region; the realistic variations in the process and fluctuation of bias voltages to each pixel in the matrix may drive some pixels out of its appropriate operation region. To keep the identity of pixels performances for a matrix containing thousands of pixels as much as possible, a margin room was left in this design.

Since the collected charge and the stage changing of RST1 both lower the input voltage of the CS stage, the V_{set} level is chosen as 950 mV in this design. From Fig. 5.3 (b), it can be seen that the current passing through the transistor is only about 6 μA if 800 mV is chosen to be the common mode level on the input. As a result, the consumption of the CS stage is about 20 μW when it is powered on.

5.1.2 The SF stage

Fig. 5.5 shows the static characteristic of the SF stage which is realized by N-MOS transistor. From Fig. 5.4, the useful output dynamic range of the CS stage is about 1 V. Thus, the SF input reference level (V_{r2}) is set to 1.6 V to obtain a relative stable gain about 0.83 in the 1 V input range. Its current bias is set to 35 μA to drive the following column circuits.

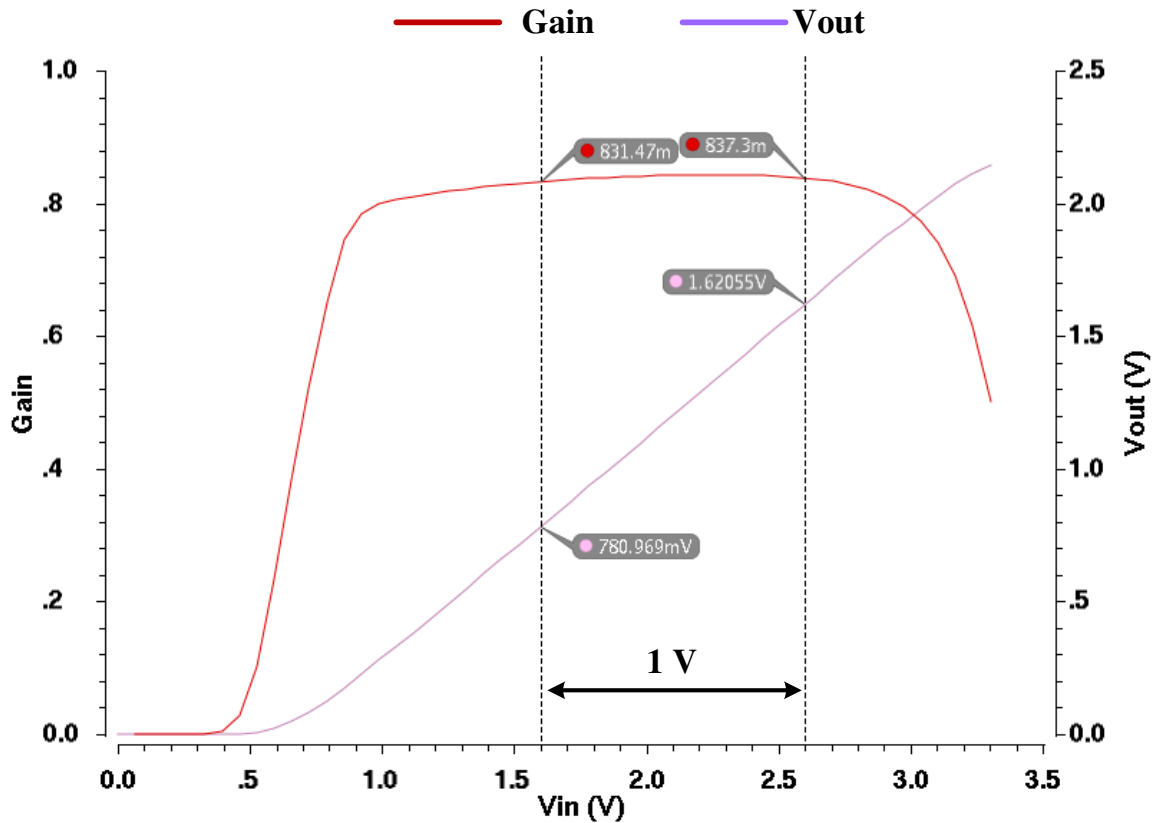


Figure 5.5: Gain and input-output voltage characteristic of the SF stage.

5.1.3 The global pixel performance

Taking into account the CS stage and the SF stage together, the pixel's global gain is about 3.3 and the phase shift is 180° introduced by the CS stage. Using the timing diagram shown in Fig. 5.1 (b), the corresponding readout time of one frame is:

$$T_{frame} = N_{row} \times 24 \times \frac{1}{F_{ck}} = 64 \times 24 \times 10 \text{ ns} = 15.36 \mu\text{s} \quad (5.3)$$

This is less than the previous introduced $20 \mu\text{s}$ per frame time limitation. In this architecture, after RST1 and RST2, the reset level is memorized on the coupling capacitor. The reset noise due to RST1 is also memorized because RST2 is still 'on' when RST1 is turned off. Moreover, offset mismatches of the amplifiers are memorized too. During the next readout of the pixel, all these noise are automatically eliminated by subtracting from the signal. In order to simulate the offset cancellation operation, an offset of the range from -50 mV to 50 mV is added on the input of the CS stage. The results are shown in Fig. 5.6.

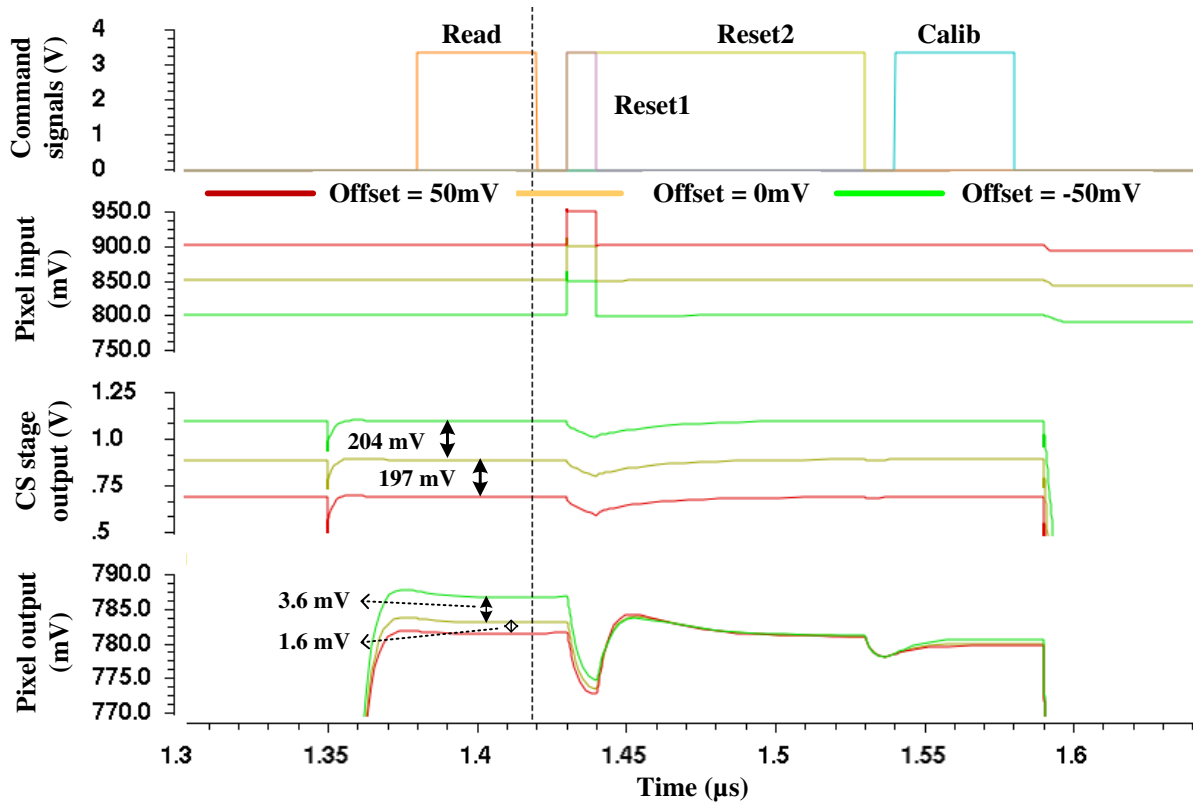


Figure 5.6: Simulation of the in-pixel offset cancellation operation.

It can be seen that the outputs of the CS stage for -50 mV and 50 mV offset are 204 mV and 197 mV , respectively. At the end of RST2, these two values are mostly memorized on the series capacitor. The final residual error on the output of the pixel are only 3.6 mV for -50 mV offset input and 1.6 mV for 50 mV offset input. Considering the gain of the system (about 3.3), these

values mean that the input equivalent offset is only about 1 mV in this condition. Thus, it proves this pixel architecture is quite efficient for offset cancellation.

The power dissipation for a single pixel is estimated to be 135 μ W. For the whole pixel matrix operation in rolling shutter mode, the total power dissipation is estimated to be 8.64 mW (135 μ W \times 64).

5.2 Test of the pixel matrix

A reduced scale prototype with 32 \times 32 pixels and 32 column ADCs was fabricated in a 0.35 μ m process, and tested to validate the COMETH concept. Dedicated analogue outputs for the centered 8 columns, bypassing the ADC, were foreseen in order to characterize in detail the pixel response.

The pixel matrix was illuminated with three types of radiations: monochromatic X-rays to obtain the charge to voltage conversion factor (CVF) and the charge collection efficiency (CCE); Beta electrons to assess the sensitivity to minimum ionizing particles with the signal over noise ratio (SNR) and the cluster shape; and finally infrared photons from a focalized laser beam to test the pixel response linearity over the relevant signal range and the sensing diode reset and recovery efficiency.

5.2.1 Experimental set-up

The specific data acquisition system, designed by IPHC, is used to test the pixel matrix. The test system is based on the USB 2.0 bus. This system consisting of three cards: the auxiliary board, the proximate board and the data acquisition board. The simplified schematic diagram of the experimental set-up for COMETH characterization is shown in Fig. 5.7.

A. The proximate board

The proximate board is a small card with dedicated size where the prototype chip is wire-boned. In order to match with the existing test mechanism and for different chips' testing convenient; it doesn't include any signal processing except essential buffering for long distance (~1 m) data transmission. It comprises the first stage external buffers for both the analogue and digital outputs directly come from the chip; and the last stage LVDS (Low Voltage Different Signal) receivers to translate LVDS digital pattern signals into signal ended. In order to reduce the coupling between analog and digital signals on the mixed circuit environment, the power supplies of the analog part and the digital part are separated. The reference voltages (3.3 V), used for analog and digital parts are both generated on the auxiliary board.

B. The auxiliary board

The proximate board is connected to the auxiliary board which provides an interface stage between the chip under test and the data processing system. On one hand, the auxiliary board

transmits the timing program pattern from the pattern generator to the chip; generates all the tunable voltage and current biases for the chip; on the other hand, it converts and amplifies single-ended analog pixel signals to LVDS signals which are more convenient for transmission; buffers the LVDS digital signals from the proximate board and transmits them out for data acquisition.

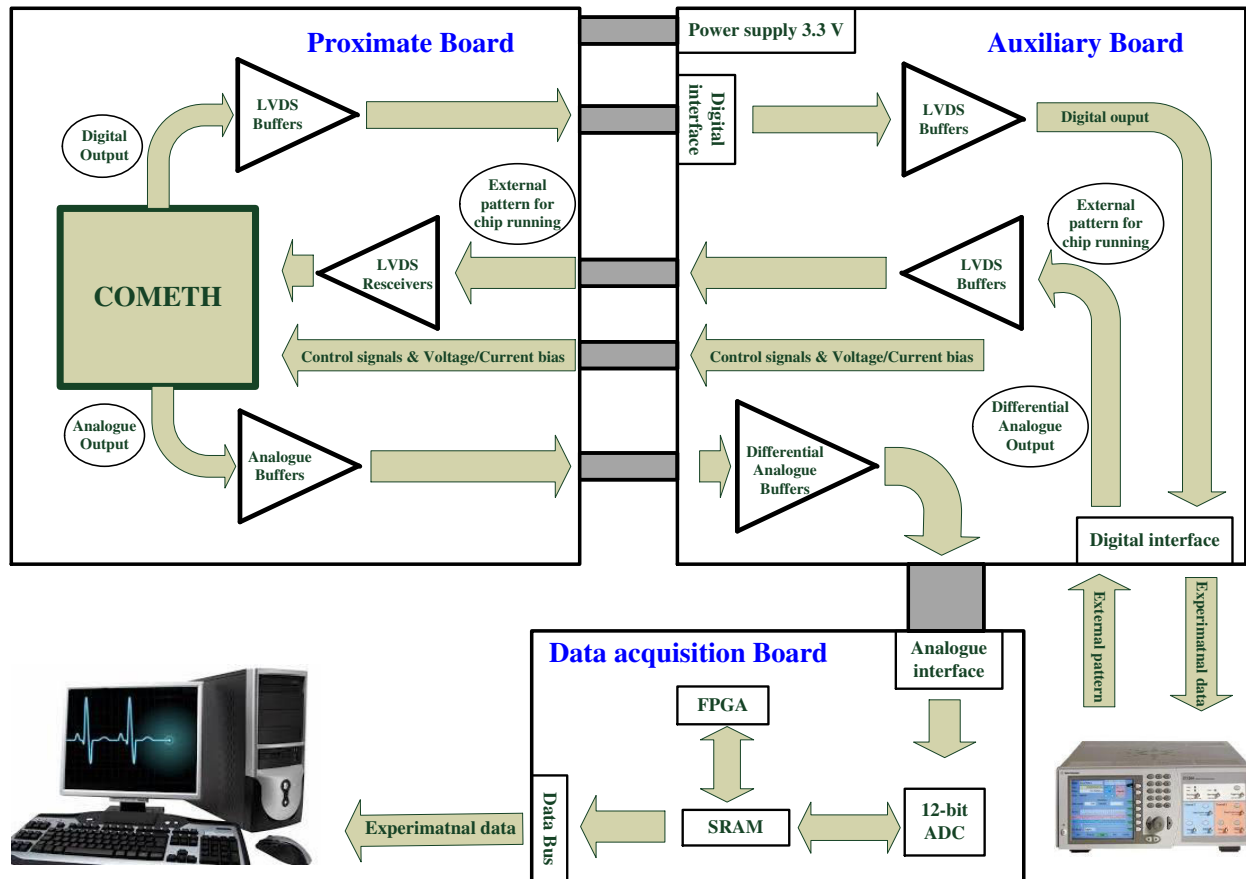


Figure 5.7: Set-up for laboratory test.

C. Data acquisition board

The dedicated test system, elaborated by IPHC-Strasbourg, is composed of:

- Two fast analog-to-digital conversion data acquisition boards, installed inside a VME card system under any simple Windows PCs with a USB 2.0 port;
- The dedicated PC computer under Windows or Linux, running the software for data acquisition, is used to control the data acquisition board and to store the acquired data on its disk.

The board is driven by a sequencer and serial output analog data of pixels is acquired by four differential analog inputs. The Flash ADC Unit for the Strip Detector Readout (VFAS) modules with 12 bits versions of precision are installed in this board.

The 12 bit resolution VFAS module features four independent ADC channels with maximum conversion rate of 40 MHz, and it was possible to process simultaneously data from arrays of pixels. The full digital control is handled by a XILINX Virtex 2 (10^6 gates) FPGA (Field Programmable Gate Array) unit installed on the board. It includes frame and line synchronization, timing verification and generation of test patterns.

The individual pixels in the array of the chip are addressed in consecutive clock cycles and the samples, digitized with 12-bit resolution, are stored in the local on-card SRAM (Static Random Access Memory). It also allows implementation of on-line data processing algorithms (Pedestals subtraction, zero suppression).

5.2.2 Noise performances

The analog information from the pixel device under test is transmitted to the data acquisition board and is digitized by a 12-bit precision ADC. The sampling clock used for ADCs is made up of two internal digital signals of the chip: the RD signal used for sampling signal level and the CALIB signal used for sampling reference level. Consequently, a pixel is consecutively sampled twice to extract the real signal level of the incident charged particle.

$$V_{signal} = V_{RD} - V_{CALIB} \quad (5.4)$$

Before measuring any signal, noise performance is studied firstly without any source. As mentioned in previous chapter, the main sources of noise in a CMOS sensor are: shot noise, pixel reset noise, readout noise and FPN. The former three sources of noise occur randomly and can be considered as Temporal Noise. The last one, the FPN, is the dispersion of the average pixel values (without source) for a whole array.

The difference of the average values among the pixels results from the mismatches between the transistors used inside each pixel. For every single pixel, this average value remains constant and is called pedestal value. Thus, the FPN value of a pixel array gives the dispersion level of the pedestal values which needs to be very small for the on-chip data sparsification operation. Also in order to obtain high detection efficiency, a high signal to noise ratio is desired; while the signal level generated by the incident of electron or high energy proton is not significant high, a relative low temporal noise level is required. The main objective of noise measurement is to evaluate the values of the Temporal Noise and the FPN.

A. Noise calculation algorithm

As equation 5.4 illustrates, the signal value is the difference between the two consecutive samples of one pixel. This subtraction corresponds to the CDS processing, which largely reduces the disturbance of noise over the signal. The signal value of one pixel after CDS subtraction can be expressed in terms of the expected physical signal due to the interaction S_{sig} , the residual random Temporal Noise value σ_{tem} , and the pedestal P_{ped} by the equation:

$$S_{pixel} = S_{sig} + \sigma_{tem} + P_{ped} \quad (5.5)$$

These quantities, through all the analysis, are measured in the ADC units and can be identified with equivalent charges integrated on the diodes within each pixel.

The noise measurement is always carried out without the radioactive source (no input signal), the pedestal can be calculated by

$$P_N^{Ped}(k) = \frac{1}{N} \sum_{n=1}^N [S_{pixel}(k)|_{no\ signals}] = \frac{1}{N} \sum_{n=1}^N [\sigma_{tem}(k) + P_{ped}(k)] \quad (5.6)$$

Where k represents pixel k in the array of pixel and N represents the total number of acquired events.

Since the pedestal value gives the signal level of a pixel without any incident charged particle, it represents the influence of dark current, injected charge, 1/f noise and shot noise. Besides, the reset noise and the offset due to mismatch of transistors also influence the pedestal value. The pedestal value is also called offset.

The FPN value, representing the importance of pedestal variation level over all pixels, is the standard variance of pedestal over a whole pixel array; this value is crucial for on-chip sparsification operation.

The Temporal Noise value for each pixel is determined for each pixel with the expression:

$$\sigma_{tem}(k) = \sqrt{[(\sum_{n=1}^N [(S_{pixel}(k))^2|_{no\ signals}] - N \cdot P_{ped}(k)^2]} \quad (5.7)$$

The Temporal Noise of the array is the average value over all the pixels inside it. For an array of M pixels, the Temporal Noise of this array is:

$$\sigma_{tem} = \frac{1}{M} \sum_{k=1}^M \sigma_{tem}(k) \quad (5.8)$$

B. Noise performance

The measured pedestal values and temper noise distributions are shown in Fig. 5.8. These values are firstly expressed by the unit of the 12-bit precision ADC counts, and then converted to the unit of e^- as represented. This conversion will be introduced in 5.2.3. The pedestal mean value is 4.47 e^- and FPN between pixels is only about 2 e^- . The temper noise of the pixel matrix is 30 e^- . The positive tail of the curve observed in Fig 5.8 (b) is caused by several noisy pixels with RTS noise as discussed in section 2.2.3.3. Figure 5.9 shows the noise of a normal pixel and a noisy pixel with RTS noise.

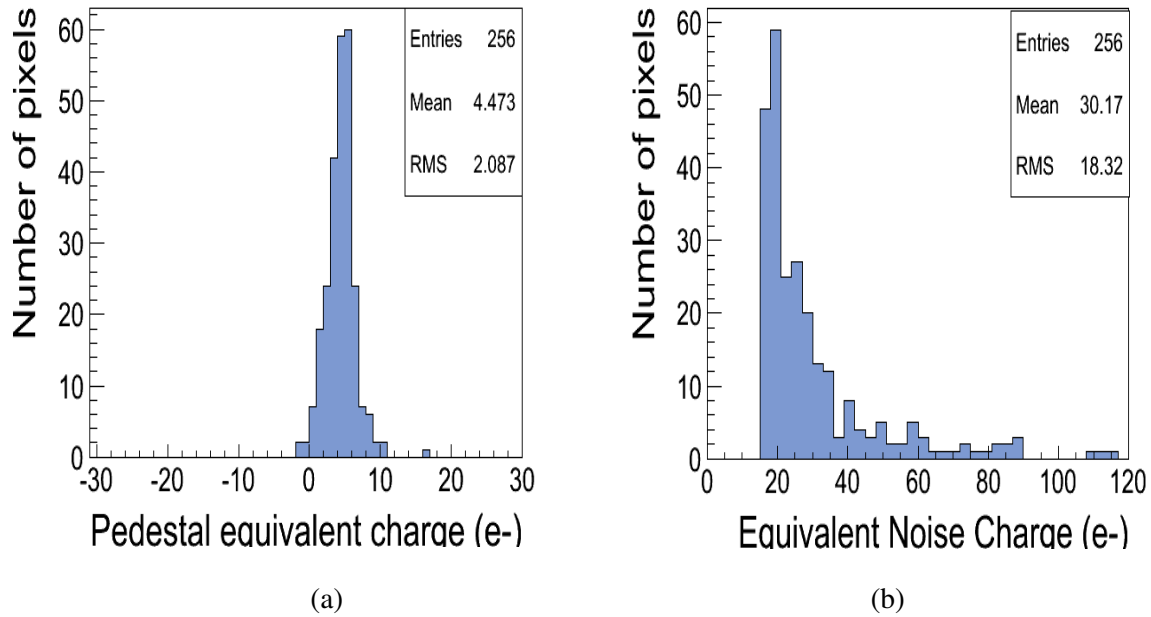


Figure 5.8: Distribution of pedestal values (a) and temper noise (b) for the sub-array with 8×32 pixels.

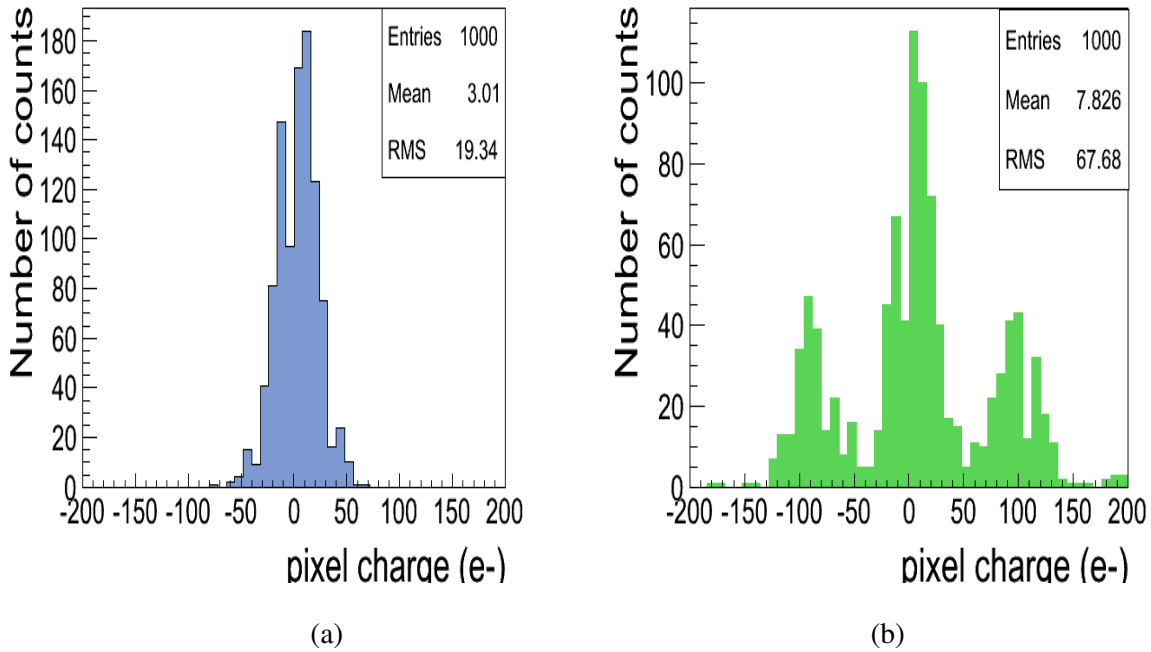


Figure 5.9: Noise of a normal pixel (a), and a noisy pixel with RTS noise (b).

5.2.3 Test with the ^{55}Fe source

A ^{55}Fe radioactive source was used to illuminate the prototype with mostly 5.9 keV X-rays, which generate about $1640 e^-$. Within each read-out frame, a few impacts are reconstructed

individually as groups of adjacent fired pixels. For each of these clusters, the seed pixel is defined as the one with the highest signal.

Fig. 5.10 (a) shows the distribution of the charge collected by the seed pixel and digitized by an external 12-bit ADC. The most probable value (MPV) of the distribution was estimated with a gaussian fit in the area of the distribution maximum; it amounts to 114.9 ± 0.4 ADC units. A calibration peak is expected at the far end of the spectrum. It corresponds to events where the X-rays convert nearby or within the sensing diode. In this situation, all the 1640 e⁻ generated by the photoconversion are collected by a single pixel, contrary to most clusters for which only a fraction of these charges is collected on the seed pixel. Therefore, to reproduce the spectrum tail, we used a two components fit, a linear distribution describing the multi-pixel clusters added with a gaussian distribution describing the single pixel cluster (calibration events), see Fig. 5.10 (b). From the fit, the calibration peak is located at 364 ± 3 ADC units. The ratio of the distribution MPV to the calibration peak position yields that the CCE of the seed pixel: $(31.6 \pm 0.5)\%$. Moreover, the charge to voltage factor (CVF) is found to amount to $33 \mu\text{V}/e^-$, which is obtained from the ratio of the corresponding analogue voltage value of the calibration peak at 364 ADC units with 1640 e⁻.

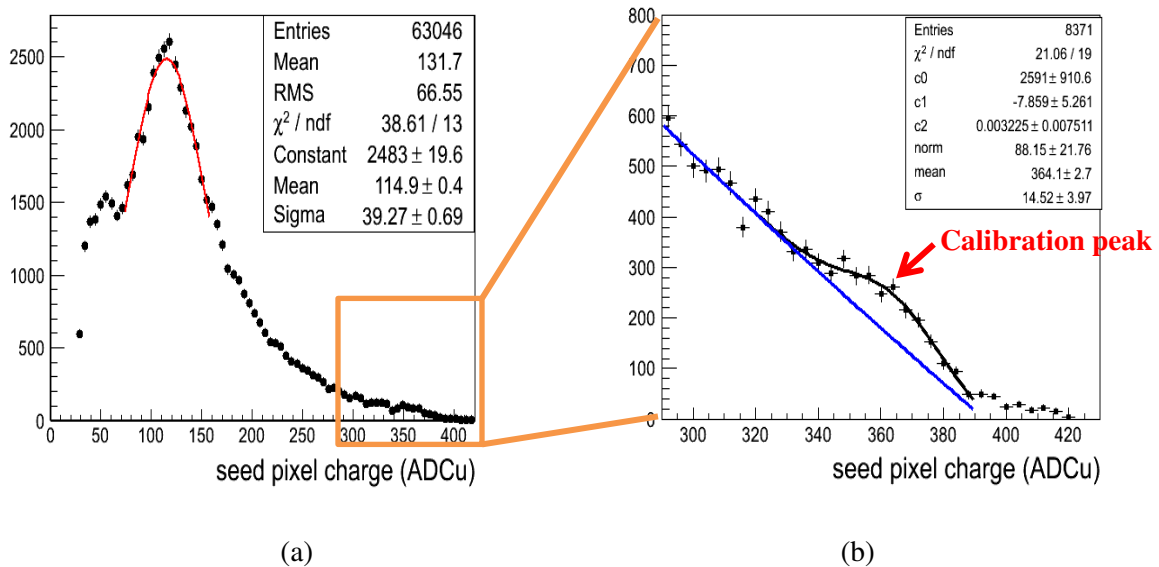


Figure 5.10: Collected charge distribution observed with a ^{55}Fe source. Fig. (a) shows the entire distribution while Fig. (b) displays a zoom on the calibration peak.

We also considered the sum of charges collected by the individual pixels within a cluster. Figure 3 displays the cluster charge collected by areas of 3×3 and 5×5 pixels centered on the seed pixel. The MPVs are again estimated from a gaussian fit restricted to the distribution maximum; amount to 323 ± 0.4 ADC units and 343 ± 1.0 ADC units respectively. We conclude that the CCE for a 3×3 cluster is already as high as $(88.7 \pm 0.5)\%$ and that considering a larger cluster only marginally increases the total charge collected.

The test with ^{55}Fe demonstrated a satisfactory CCE for a pixel sensor which features a relatively large pitch size of $50\ \mu\text{m}$ combined with a single relatively small central sensing diode ($4.3 \times 4.3\ \mu\text{m}^2$).

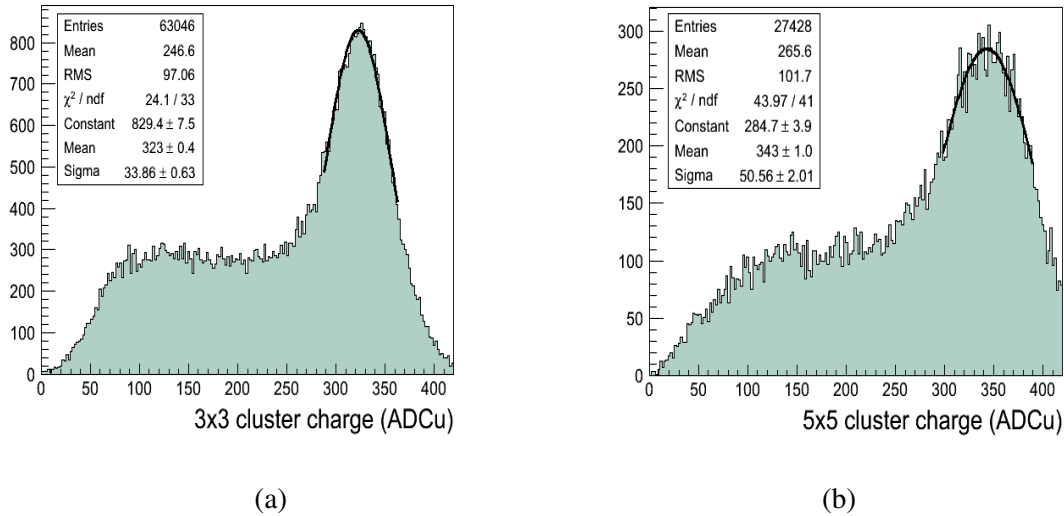


Figure 5.11: Cluster collected charge with the ^{55}Fe source: 3x3 pixels (a) and 5x5 pixels (b). The lines represent gaussian fits to estimate the MPV of the distribution.

5.2.4 Test with a Beta minus source

A ^{90}Sr source was used to provide electrons with an energy spectrum typical of Beta emission, the end point being at 2.3 MeV. This range matches well the electron energy for the COMETH application, and represents the lowest ionization signal to be detected. The same treatment as in the case of X-rays was applied to the analogue data to obtain the cluster information for each impinging β^- .

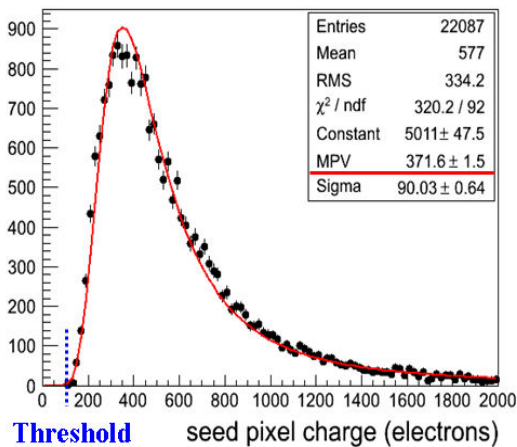


Figure 5.12: Seed pixel collected charge with a ^{90}Sr β^- source.

The seed pixel charge distribution is shown in Fig. 5.12; it is fit with a Landau distribution to account for the energy deposition fluctuations. The MPV is evaluated at $371.6 \pm 1.5 e^-$. This value is well in accordance with the expectation from a minimum ionizing particle which generates about $80 e^-/\mu\text{m}$ in average, taking into account the $14 \mu\text{m}$ thickness of the sensitive volume for the $0.35 \mu\text{m}$ CMOS process, and the charge collection efficiency ($31.6 \pm 0.5\%$) for the seed pixel determined with X-rays. In COMETH the digital conversion of the pixel signal is triggered above a given threshold, which hence drives the detection efficiency. From the integral of the seed pixel charge distribution, we note that for 99.95% of the impacts the seed pixel collects more than 120 e^- .

Moreover, the SNR is also an important parameter driving the detection efficiency. The average pixel noise corresponds to 30 e^- equivalent noise charge (ENC) as indicated by the distribution of the individual pixel noises from Fig. 5.8 (b). The corresponding most probable SNR value is about 13, confirming the ability of the matrix to detect the smallest signal with an efficiency close to 100%.

Fig. 5.13 illustrates the cluster shape obtained with electrons. For each cluster, we kept only the pixels with an analogue signal in excess of 120 e^- , since this threshold guarantees a detection efficiency above 99.9% as estimated before. Fig. 5.13 (a) depicts how often a given pixel is fired above this threshold in the 7×7 pixels subarea around the seed pixel. The total number of fired pixels per cluster is displayed on Fig. 5.13 (b). We observe that the vast majority of clusters does not exceed 4 pixels in size, the average size being 2.7 pixels, as was assumed in the pixel response model of our previous simulations.

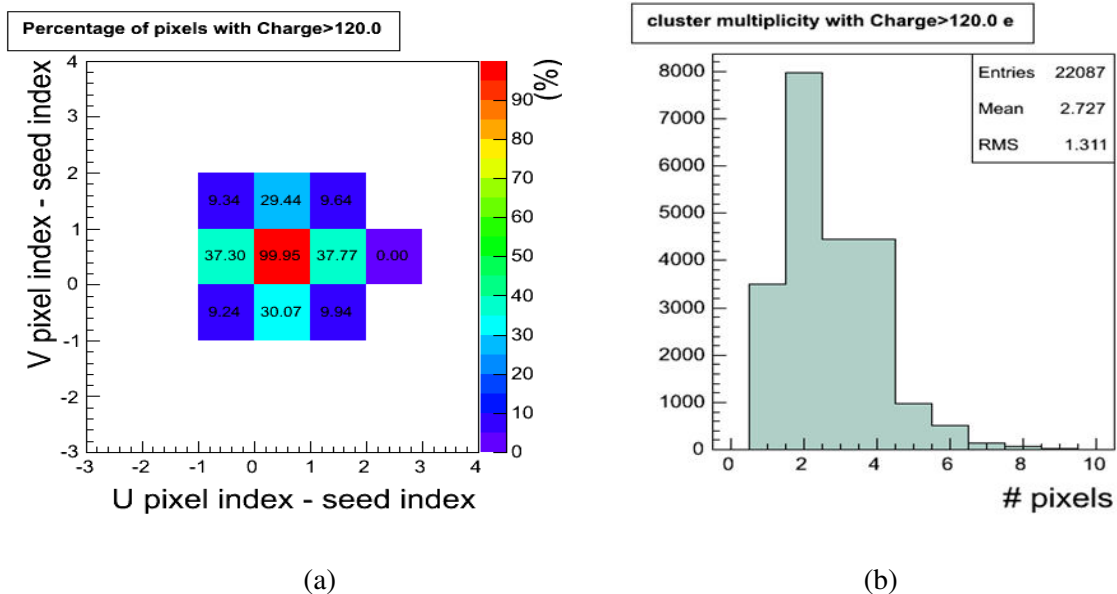


Figure 5.13: Percentage of pixels with charge $> 120 e^-$ with a ^{90}Sr β^- source (a) and cluster multiplicity with charge $> 120 e^-$ (b).

Fig 5.14 confirms the small cluster size in a different point of view; it shows that the increasing of accumulated charge slows down when the considered cluster size is more than 4 pixels. The reason this accumulated charge curve starts drop for more than 9 pixels is extra pixels do not actually collected signals, some negative noise are added. This small cluster size validates the sensor counting capability to high flux as indicated in Fig. 3.19 and discussed in section 3.3.3.

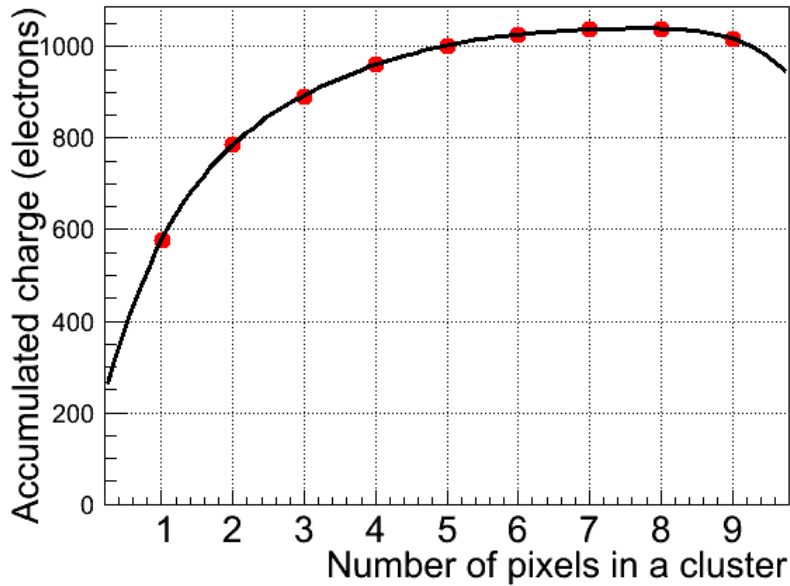


Figure 5.14: Accumulated charge with different number of pixels in a cluster.

Electrons deposit the smallest energy in the sensor, therefore the SNR of the seed pixel to electrons are quite important; it determines the sensor capability for signal and noise separation, could be expressed as detection efficiency and fake hit rate. Figure 5.15 illustrates the SNR of the seed pixel to electrons which are the smallest signal in this application. The MPV is about 13. The threshold at $120 e^-$ guarantees a very high detection efficiency close to 100%. Meanwhile, this low threshold brings some fake hits. The fake hit rate is also somehow determined by the strategy of real hit recognition. Some strategies considered are:

1. Keep threshold at $120 e^-$; a single fired pixel is considered to be a real hit. During the noise tests, the opportunity of a fake hit in one frame is $(38.7 \pm 0.1) \%$. Considering the matrix size used for test is 8×32 pixels, the fake hit rate is about 1.5×10^{-3} for a single pixel in one frame. For the full size COMETH (64×64 pixel matrix), there would be about 4×10^5 fake hits every second which is not a small number especially for low flux electron environment.
2. Sacrificing some detection efficiency, increase the threshold at $200 e^-$; still a single fired pixel is considered to be a real hit. The opportunity of a fake hit in one frame decreases to

(9.4 ± 0.1) %. The fake hit rate for a single pixel is about 3.7×10^{-4} . The full size COMETH would get about 1×10^5 every second.

- Keep threshold at $120 e^-$, while clusters contain at least 2 fired pixels or a single fired pixel with collected charge higher than $400 e^-$ are considered to be real hits. The measured fake hits are only 2303 for 200,000 frames. For the full size COMETH, there would be about 1×10^4 fake hits every second. This strategy efficiently blocks a large part of these fake hits caused by the very noisy pixels with RTS noise. The loss of detection efficiency is quite small because most of electrons trigger more than 1 pixel, and the average collected signal for a single pixel is about $600 e^-$ much higher than the threshold.

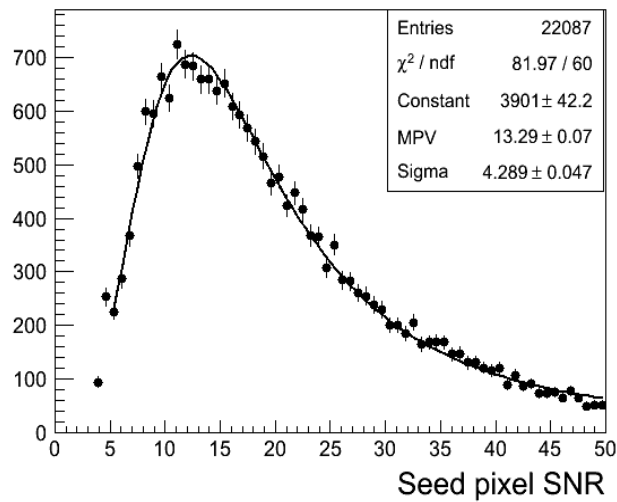


Figure 5.15: SNR of the seed pixel to electrons.

5.2.5 Test with infrared laser illumination

The light of a laser diode with a 1063 nm wavelength was focused within a $5 \mu\text{m}$ diameter spot on the sensor. In order to mimic a particle crossing the sensor, light was delivered through pulses much shorter than the integration time.

The pulse length being fixed, the light intensity density depends on two parameters: the input current to the laser diode and the number of pulses shot during one sensor integration time. To control the sensor response linearity, we varied this number of pulses for these different input currents (low, middle, high); so that the number of charges generated by the illumination is proportional to the number of pulses. Results are shown in Fig. 6. They indicate the linearity response range of a single pixel extends up to $5000 e^-$; complying with the requested value of $4400 e^-$. The limitation observed originates from the saturation of the in-pixel amplifier.

However, in space the sensing diode may collect much more than 5000 e⁻, especially from low energy protons. To test the pixel's fast reset and recovery efficiency from such large signals, the laser was tuned to a very large intensity with various pulses frequencies. Results showed no remnant signals in the frame just after the one having collected charges in excess of 5000 e⁻. This test confirms the ability of the sensor to handle large signals.

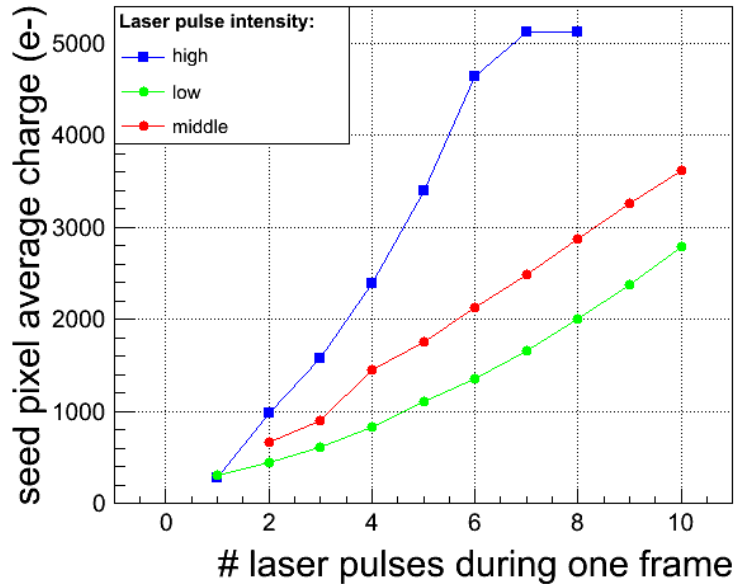


Figure 5.16: Evolution of the pixel response to a linear increase of the laser illumination, for three different laser currents. The laser illumination amplitude depends linearly on the number of laser pulses shot during one sensor frame.

5.3 Conclusion and perspectives

A quarter-size prototype of our proposed CMOS pixel sensor for high-flux radiation counter has been designed and fabricated in a 0.35 μm process. Tests of the pixel matrix corroborate the expectation from previous simulations on the key parameters: charge collection efficiency, detection efficiency for minimum ionizing particles, cluster size of a few pixels, and linearity over the expected signal range.

Meanwhile, the tested noise is 30 e⁻ which is higher than < 20 e⁻ reported by other sensors with similar pixel architecture [1, 2]. The main reason is its relative low CVF ($\sim 33 \mu\text{V}/e^-$) comparing with the 50 – 70 $\mu\text{V}/e^-$ CVF pixel in the references. Increasing the gain of the CS stage, decreasing the capacitance value of the sensing diode, and optimizing the layout to reduce the parasitic capacitance value on the path between sensing diode and the input transistor of the CS stage are all effective methods to increase the CVF.

Increasing the gain of the CS stage sacrifices with the reduction of pixel linear response range. This linear range reduction may lead worse energy reconstruction precision for low energy protons. The extent of this effect needs further energy reconstruction simulations.

Decreasing the capacitance value of the sensing diode could proportionally increase the charge to voltage conversion factor, however it reduces the diode size; the signal collected by the pixel will be lower and the cluster size will be larger. Therefore, it leads a higher or lower SNR is hard to tell without plenty of tests with different diode size.

The parasitic capacitances on the path between sensing diode and the input transistor of the CS stage decrease the CVF. Fig. 5.17 illustrates the layout of a single pixel; the capacitance of the sensing diode itself is 5.43 fF while the total capacitance on the charge collecting point is 8 fF. Parasitic capacitance of 2.57 fF is generated by the current layout. The optimization of the layout according to the current design might be quite marginal.

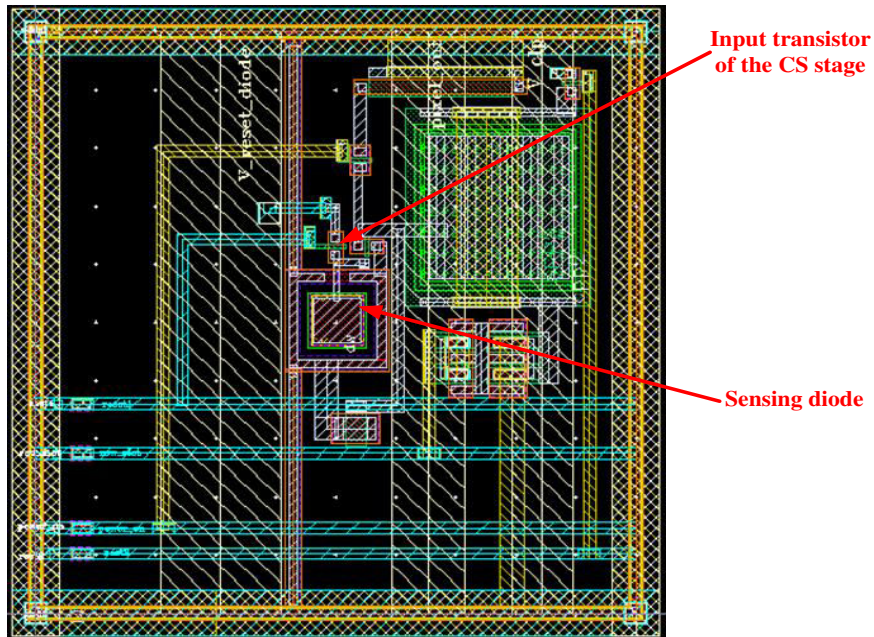


Figure 5.17: layout of a single pixel.

The improvement of the noise performance is quite important for a lower fake hit rate while keeping high detection efficiency. The perspectives for the pixel matrix design are reducing the noise and optimizing the power dissipation. Further tests with proton source still need to be performed, in order to confirm the cluster size triggered by protons with different energies, the limitation of flux reconstruction for protons and the separation of protons from electrons.

Bibliography

- [1] Hu-Guo C., et al. *CMOS pixel sensor development: a fast read-out architecture with integrated zero suppression*. JINST 4 P04012 2009.
- [2] D. Doering, et al. *Noise performance and ionizing radiation tolerance of CMOS Monolithic Active Pixel Sensors using the 0.18 μm CMOS process*. JINST 9 C05051 2014.

Chapter 6

From analogue to digital

As discussed in section 4.2, column-level ADCs with 3-bit resolution are required to be implemented in COMETH. Its sampling rate should be about 4.2 MS/s to match with the pre-stage pixel processing speed. In fact, a number of techniques for doing analog to digital conversion could meet such speed and resolution specifications as illustrated in figure 6.1. This chapter is going to start with the descriptions of ADC architectures which could be used in COMETH application; then the design details of the chosen architecture with the most advantages for this application are introduced; finally the prototype test results are discussed and new architectures are proposed.

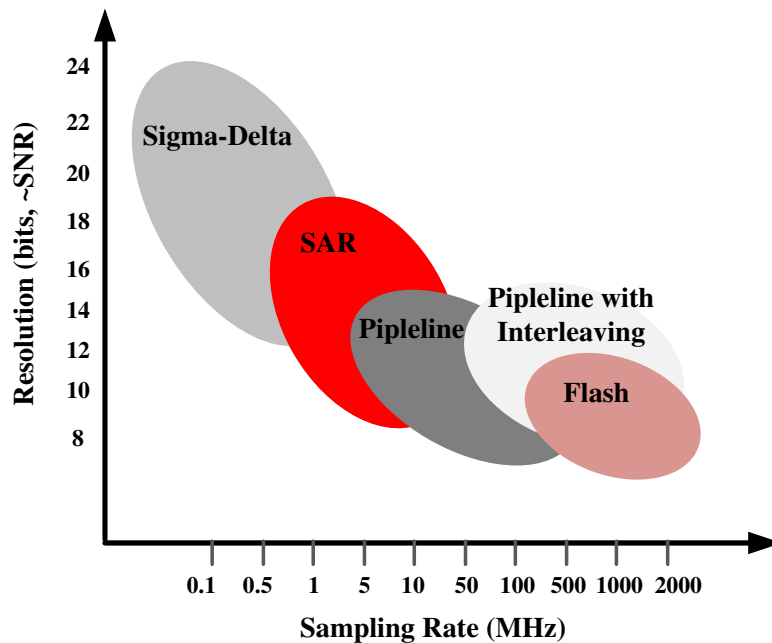


Figure 6.1: ADC architecture vs Resolution and sampling rate [1].

6.1 Standard ADC architectures

Much research has been done on the implementation of analog to digital converters (ADCs). As a result, a number of techniques for doing analog to digital conversion have been developed. Three main standard ADC types appropriate to this application are introduced in this section; while others are not discussed here. Following the brief introduction of their working principles, their advantages and the limits are also presented.

6.1.1 Flash ADC

The flash ADC architecture, also known as a fully parallel architecture, is fundamentally the fastest architecture. An n -bit flash ADC consists of an array of $2^n - 1$ comparators and a set of $2^n - 1$ reference values; each of the comparators samples the input signal and compares the signal to one of the reference values. Each comparator generates an output indicating whether the input signal is larger or smaller than the reference assigned to that comparator. The outputs of comparators are then coded by a binary encoder to generate N -bit digital code corresponding to the input signal.

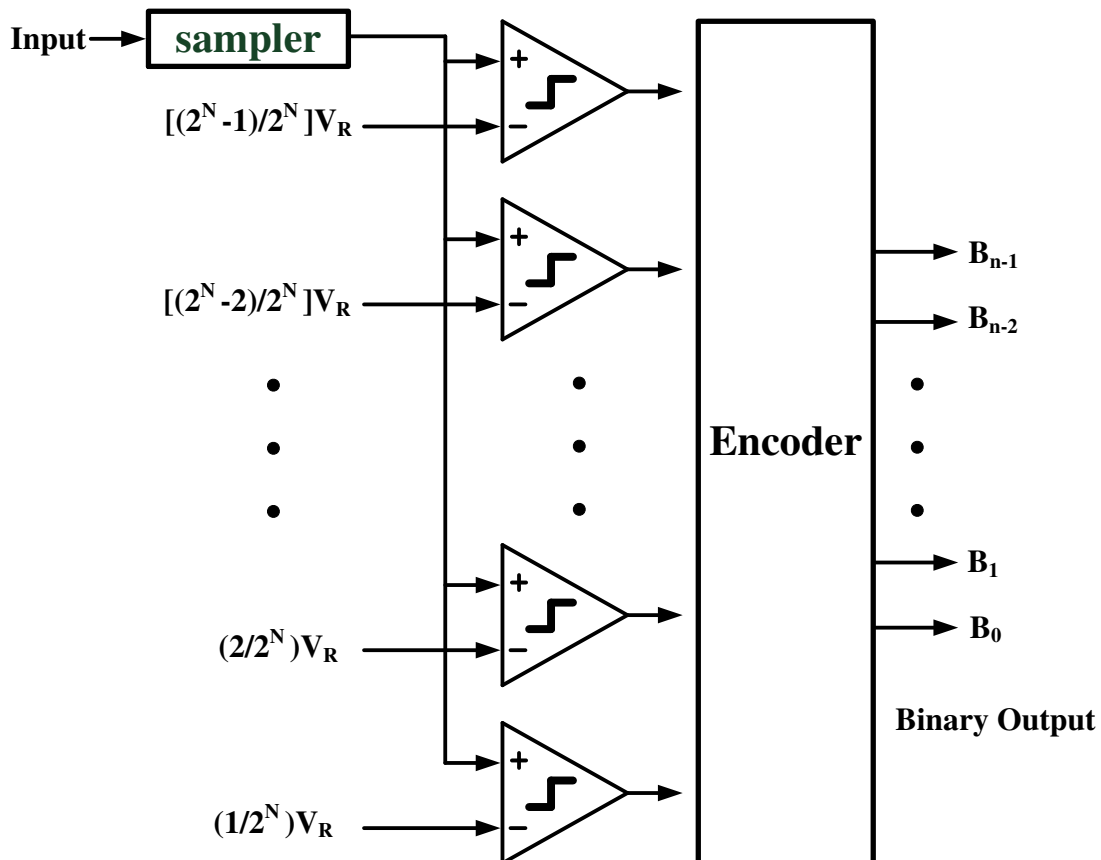


Figure 6.2: Architecture of an N -bit flash ADC.

As seen from Fig. 6.2, the comparators all operate in parallel. Thus the conversion speed is limited only by the speed of the comparator or the sampler. For this reason, the flash ADC is capable of high speed. However, two primary drawbacks to the flash ADC are the high power dissipation and sensitivity to comparator offsets, as 2^n-1 comparators are required.

6.1.2 Pipelined ADC

A pipelined ADC is also called sub-ranging quantizer; it uses two or more stages of sub-ranging. A sample and hold circuit and an amplifier are added to each stage. The sample and hold circuit is used by the first stage to sample the input. Subsequent stages use a sample and hold to sample the residue from the previous stage. This feature allows each stage of the pipeline to begin processing a new sample as soon as its residue is sampled by the following stage. Thus, the throughput rate is independent of the number of stages in the pipeline. Because of this feature, pipelined ADC can generally operate at very high sampling rates.

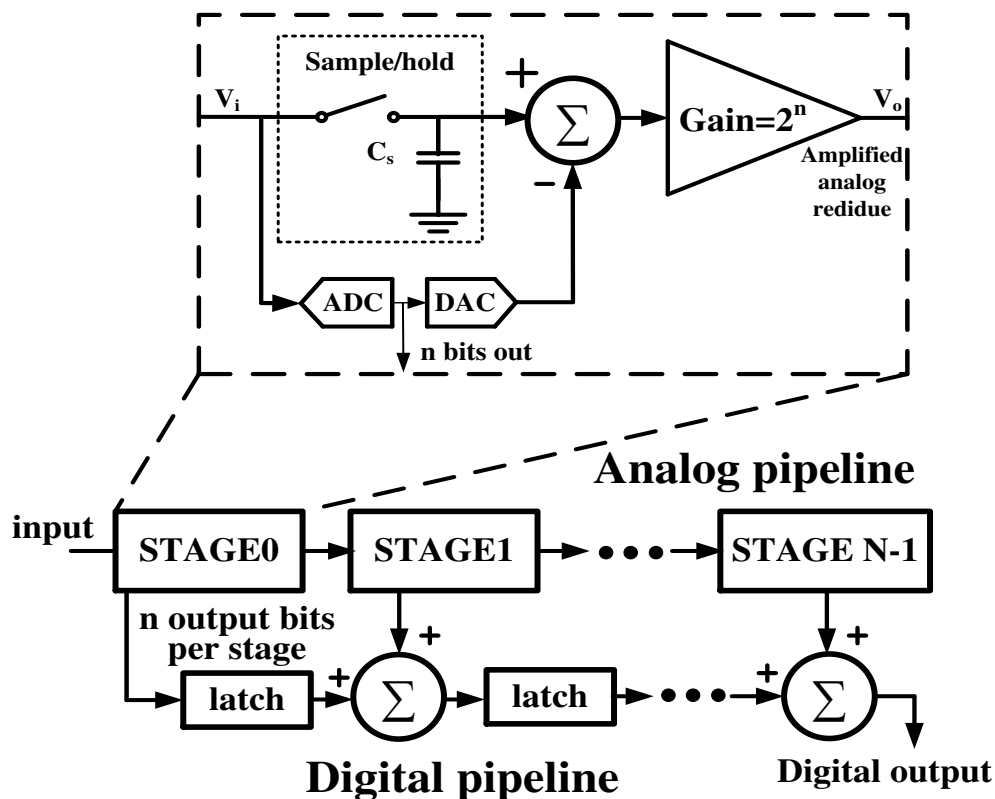


Figure 6.3: Block Diagram of a Typical Pipelined ADC.

The amplifier is used to amplify the residue before passing it on to the next stage. The resolution requirements for the following stages are relaxed by adding this amplifier. Thus, the comparator in the last stage of the pipeline does not need to be accurate to the full ADC resolution as it is required in other sub-ranging ADCs [2]. Furthermore, comparator mismatches can easily be eliminated as a limitation to resolution by self-calibration techniques. However, these gain blocks in each stage tend to be the dominant source of power dissipation in the ADC.

Because of their tolerance to comparator offsets and the ability of the pipeline stages to operate in parallel, pipelined ADCs are well suited for high resolution applications where high speed is required.

6.1.3 Successive approximation ADC

A successive approximation ADC uses a DAC to successively produce an analog reference signal that approximates the input voltage signal. By adjusting the DAC until the reference signal matches the input signal, a digital code representing the analog input is generated. In general, it consist a sample-and-hold (S/H) circuit, a comparator, a Successive-Approximation-Register (SAR) and a Digital-to-Analog Converter (DAC) as shown in Fig. 6.4.

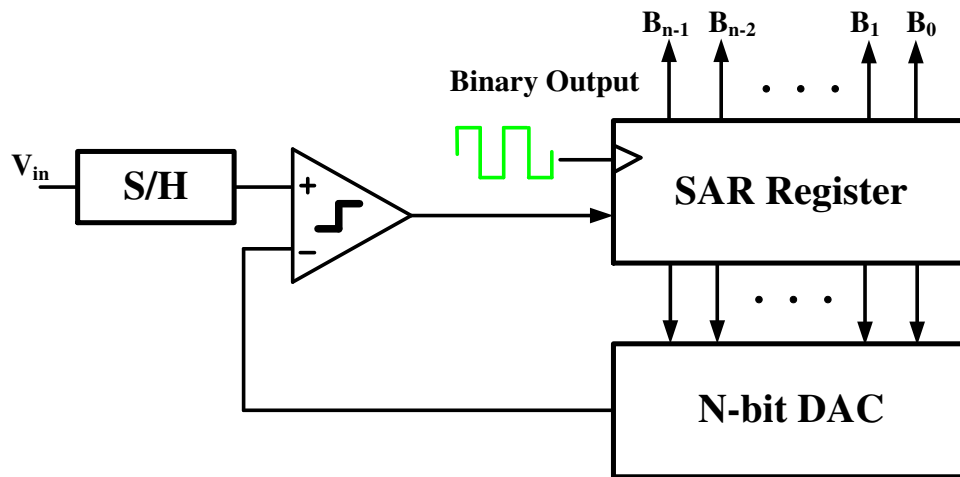


Figure 6.4: Basic architecture of an N-bit successive approximation ADC.

The S/H circuit is used to acquire the input voltage; it could convert a continuous time input signal into a discrete time signal. The SAR and the DAC work together. The DAC converts the corresponding digital code of SAR, which is dependent on the response of the comparator, into a certain analog reference. This reference will be compared with the input signal and their difference decides the following operation of the ADC.

The SAR applies a binary algorithm to search the closest digital code to match the input signal. Instead of counting up in binary sequence, the SAR counts by starting with the Most-Significant Bit (MSB) and finishing at the Least-Significant Bit (LSB). Firstly, after the initial reset, the MSB is “1” and the others are “0”. It forces the DAC output to be $\frac{1}{2} V_{\text{ref}}$ which is half of the full-scale range (FSR) of the ADC. This value is compared with the analog input signal. If the input signal value is bigger, the MSB remains at “1”, otherwise it is set to “0”. The MSB is then determined. The same process is repeated bit by bit until the LSB. Throughout the count process, the register monitors the comparator’s output to see if the binary count is less than or bigger than the input signal, adjusting the bit values accordingly. An example of the searching process of a 4-bit SAR conversion is shown in the figure 6.5.

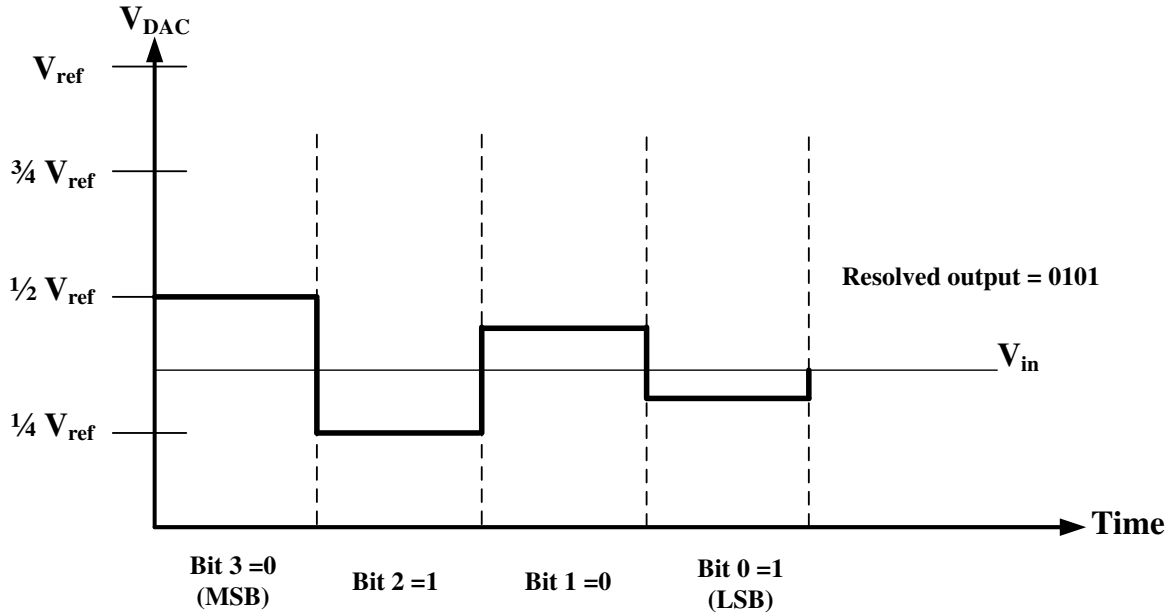


Figure 6.5: Example of the searching process of a 4-bit SAR conversion. The digital output is 0101.

This converter architecture has the advantage of using very little hardware. No amplifiers are required and only a single comparator is required. The disadvantage is it is slower than a flash architecture due to the number of cycles required per sample is proportional to the number of bits.

A key design point of this type of ADC is that it requires a high precision and fast response DAC. Generally realized using charge redistribution capacitor array, the nonlinearity and the size of the array are the issues for achieving a high resolution component.

6.2 Design of the column ADC for COMETH

All of the three ADC architectures introduced in section 6.1 could fulfil the speed and resolution requirements of COMETH. Therefore, the architecture selection is a tradeoff between performance, power and design complexity.

The flash ADC, could theoretically complete the conversion in only one clock duration. This speed advantage is obtained by its dimension and the power dissipation sacrifice. For a full flash structure, the number of the comparators needed is $2^N - 1$. It means that 7 comparators are needed in order to realize a 3-bit ADC. Clearly, it will cost more area and power, comparing to the SAR ADC which only need one comparator.

The pipelined ADC usually has much lower power consumption than a flash and typically has less accurate requirement for the comparator. However, the complexity of this architecture requires significantly more silicon area than an equivalent SAR ADC.

The structure of successive approximation is finally chosen for COMETH design. Only one comparator is needed for this structure and three comparisons are already enough for the

complete conversion of a 3-bit ADC. According to the size of this architecture, the capacitor array needed can be successfully implemented in a space of 50 μm width because only 3-bit resolution is required. As a result, the speed and resolution requirements can be achieved by very lower power dissipation, small silicon area and simple architecture.

Based on the previous simulations and measured pixel response to electron particles, the expected transfer function of the ADC is shown in figure 6.6. The “threshold” (V_{th}) value for the first bit was set at 120 e^- for high detection efficiency close to 100%. The step size (V_{LSB}) between two adjacent bits corresponds to 700 electrons collected on the sensing diode.

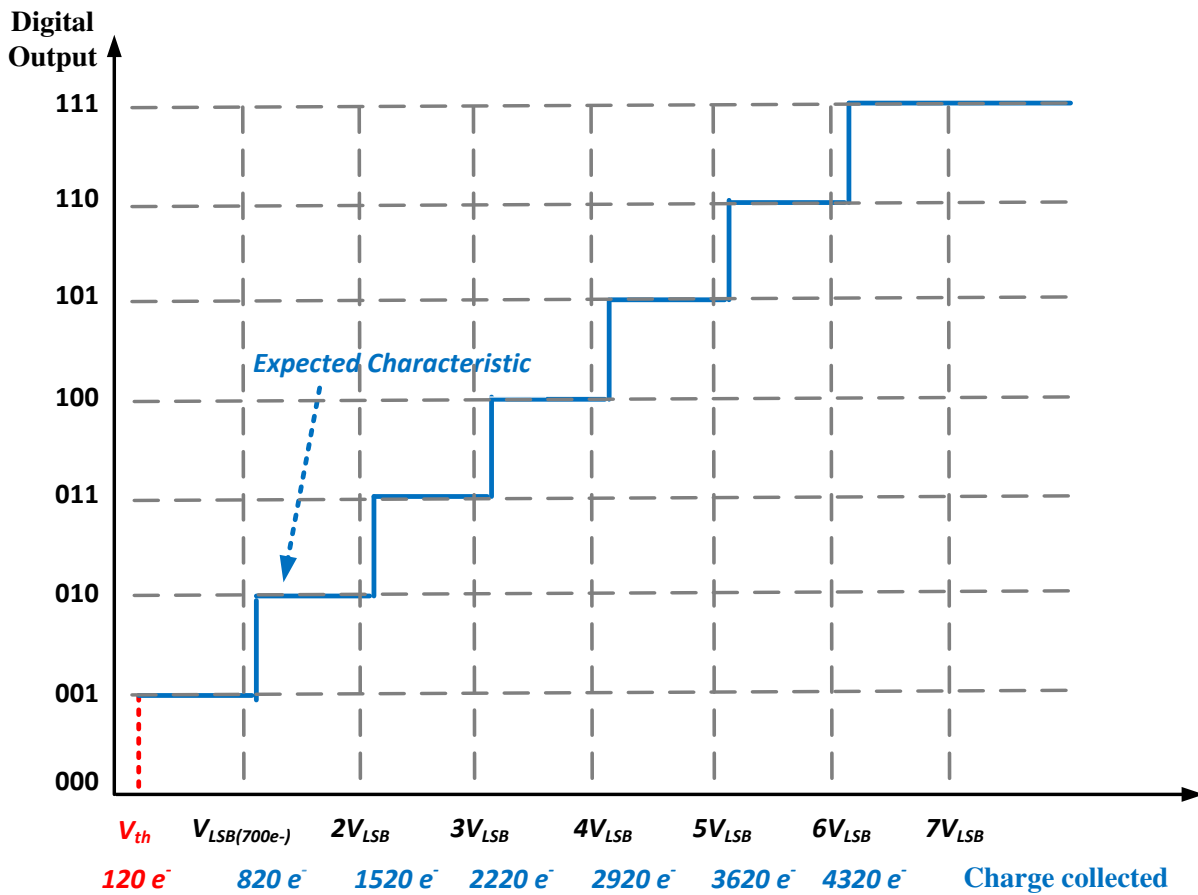


Figure 6.6: Expected transfer function of the 3-bit ADC in COMETH.

6.2.1 Global architecture and processing principle

To meet the expected transfer function, figure 6.7 shows the proposed global ADC structure including a S/H circuit, a DAC, a comparator and a Finite-state machine (FSM) which performs the SAR logic.

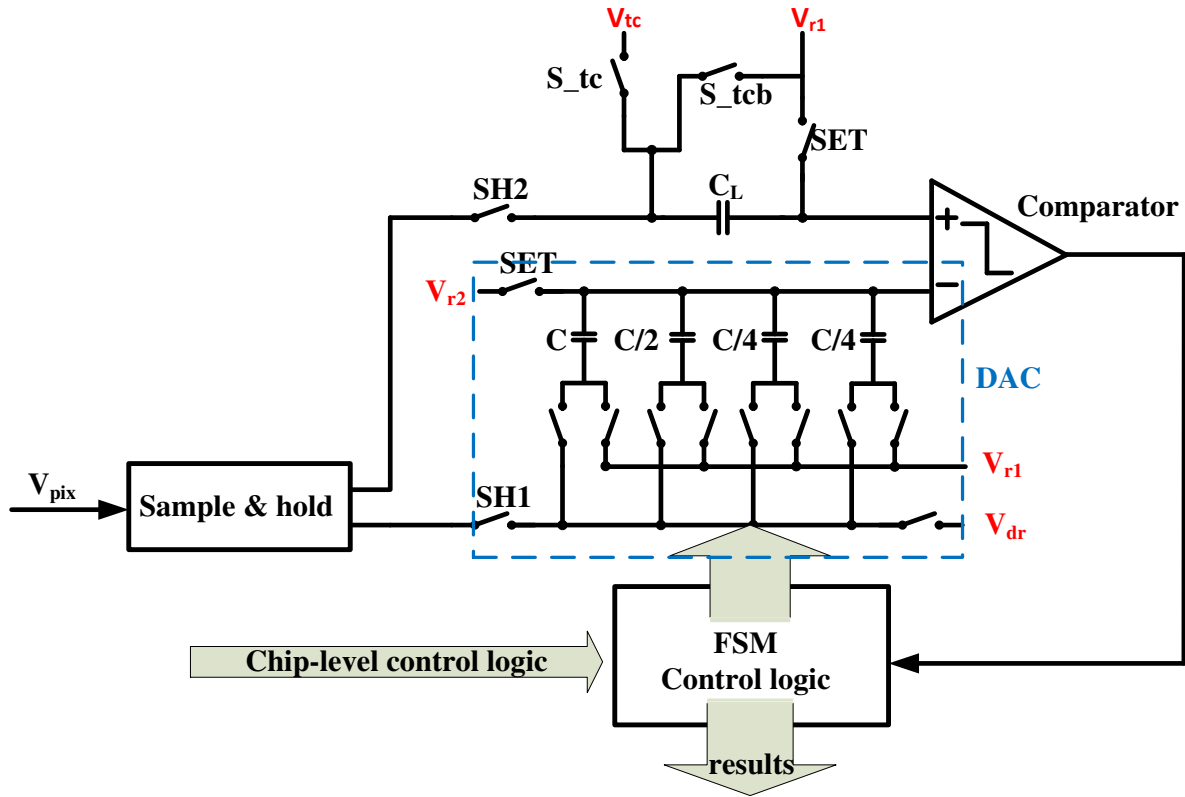


Figure 6.7: Global architecture of the column 3-bit SAR ADC for COMETH.

Signal levels from pixel output are maintained by the sample-and-hold block every comparison. The DAC is realized by capacitor array consisting of binary weight capacitors which correspond to the different bits of the digital code. The total capacitance of the array is $2C$ ($C = 200$ fF in this design). A switch array is connected to the capacitors to select the different terminals. Therefore, different references values corresponding to different bits can be generated during the conversion based on the charge redistribution principle. The global commands (reset, SH1, SH2, clock for FSM) are common to all the columns and are sent by chip level control logic. Column level control logic is integrated in the FSM inside each column, transferring the serial switch select signal and making the decision according to the response of the column level comparator. The comparator compares the signal value maintained by the S/H circuit with the reference value generated by the DAC and gives the logic response to the FSM for making the decision.

In the Fig. 6.7, V_{r1} is the common mode of the comparator's input, together with V_{dr} defines the full-scale range ($V_{LSB} = (V_{dr} - V_{r1})/8$), V_{tc} and V_{r2} are used to set the threshold value and tune the ADC offset externally. So the ADC transfer function could shift as the expected curve in figure 6.6. The ADC has a 3-bit precision but a 4-bit output. An extra bit is used to show if the 3-bit data is equal to "000" or not. This extra bit is used for the following digital processing block which will be introduced in Chapter 7.

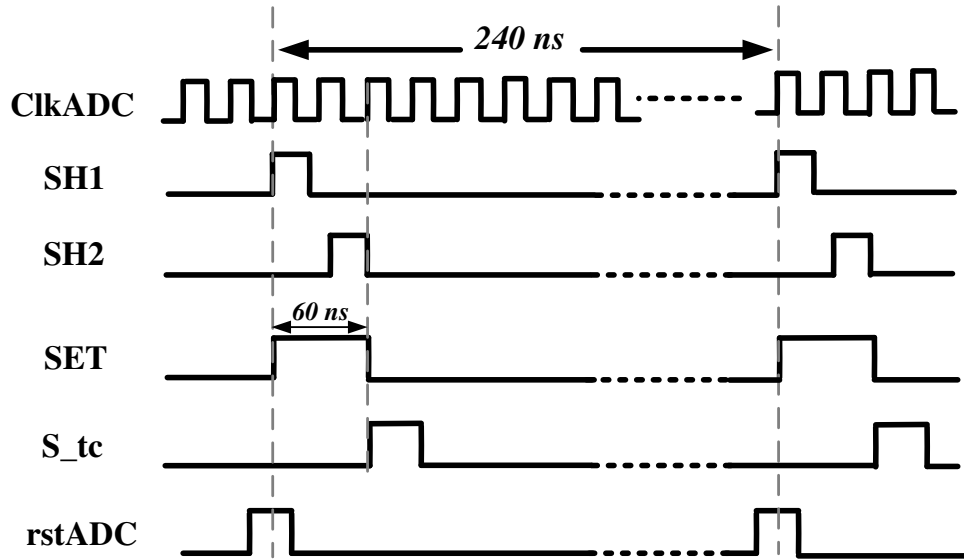


Figure 6.8: Timing diagram for the column 3-bit SAR ADC.

Compared with typical SAR ADC introduced in section 6.1.3, this design adds a “sleep” mode which is realized by an extra comparison before the analog to digital conversion; the discrimination threshold is tuneable externally in order to adjust the detection sensitivity. When this first comparison fails, the ADC turns itself off until the next sample. The strategy reduces the time left for each comparison, increases the power dissipation for the conversion of a signal higher than threshold. However, it allows taking advantage of the low occupancy of the matrix (more than 97% of the pixels are unfired up to flux as high as 10^7 particles·cm⁻²·s⁻¹) in order to significantly limit the system power dissipation. Figure 6.8 displays the timing diagram and its operation proceeds as follows:

- 1) Firstly, after the reset (rstADC), during the SET phase, the signal value with offset V_{SH1} and the offset value V_{SH2} of the S/H block will be sampled and stored respectively ($V_{SH1} - V_{SH2}$ is the signal value free from offset). The offset value is memorized on the capacitor C_L and the signal value is memorized on the capacitor array. The other side of the capacitors array and C_L are set to V_{r2} and V_{r1} respectively. The equivalent circuit is showed in Fig. 6.9 below.

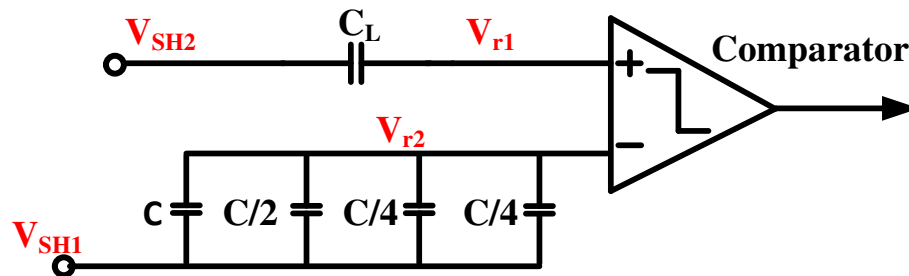


Figure 6.9: Equivalent ADC circuit during the SET phase.

- 2) Then, during the S_{tc} phase, different with a typical SAR logic where the comparison starting with the MSB, the signal comparison with the “threshold” value V_{th} will be done firstly. In this phase, the left side of C_L is switched to V_{tc} , the bottom side of capacitor array is switched to V_{r1} , so that the signal sampled could be compared with the threshold value given by V_{th} (as showed in Fig. 6.6). The equivalent circuit is illustrated in Fig. 6.10. Thus, the difference of the two inputs of the comparator is:

$$V_{r2} - V_{tc} + V_{SH2} - V_{SH1} = V_{r2} - V_{tc} - V_{signal} = V_{th} - V_{signal} \quad (6.1)$$

where the threshold value V_{th} could be set using the two external biases V_{r2} and V_{tc} . This abnormal comparison order is for the reduction of system power consumption. As described in section 4.2.3, averagely 98% of the samples are going to be “0” in COMETH application. Therefore, once the signal is lower than V_{th} , the ADC outputs “0” and turns off itself until the next sample coming. The system power consumption is in turn significantly reduced.

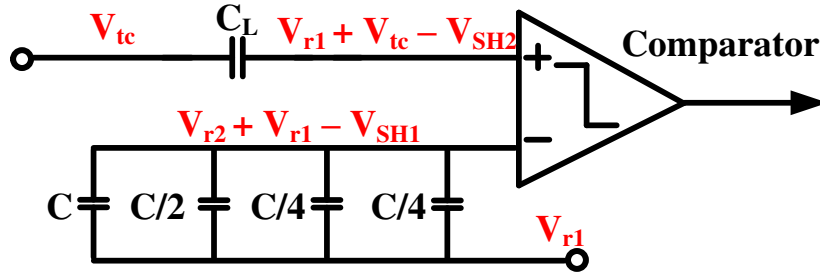


Figure 6.10: Equivalent ADC circuit for the threshold comparison.

- 3) If the signal value exceeds the threshold, the ADC processing then continues the comparison with MSB value ($\frac{V_{dr}-V_{r1}}{2}$). The left side of C_L is switched back to V_{r1} and the MSB of the DAC is switched to V_{dr} while the others are still connected to V_{r1} (simplified equivalent circuit is shown in Fig. 6.11). Thus, the difference of the two inputs of the comparator is:

$$(V_{r2} - V_{r1}) + \frac{(V_{dr}-V_{r1})}{2} - V_{signal} \quad (6.2)$$

Thus, the ADC offset value could be tuned by the bias V_{r2} .

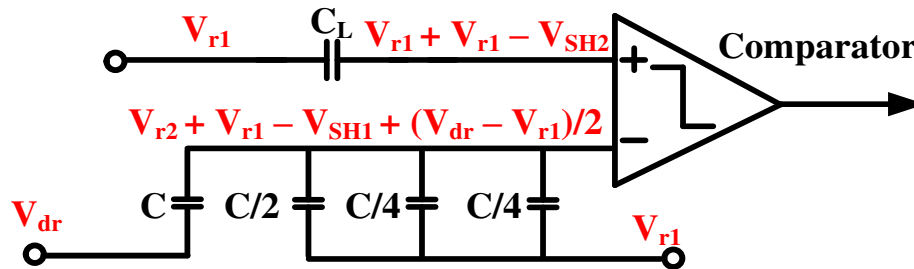


Figure 6.11: Equivalent ADC circuit for the conversion of the MSB.

- 4) The following comparison processes are just the same with a typical SAR ADC as described in section 6.1.3. The final 3-bits digital value will be ready after 2 more conversions. It takes 30 ns for one conversion and the time needed for a whole successive approximation process, in addition of SET and reset phase, is 240 ns, exactly matches with the pixel analogue processing time.

6.2.2 Design of the S/H circuit

Normally, the sample and hold circuit is used to sample the voltage of a continuously varying analog signal and holds its value at a constant level for a specified minimum period of time. However, in COMETH application, the signals from pixels are constant levels already. Instead of capturing and freezing the value of a continuously varying analog signal at a certain moment, the S/H circuit used here takes two other responsibilities. The first one is doing the subtraction, getting the “useful signal” for the subsequent comparisons with DAC provided references. This “useful signal” refers to $V_{read} - V_{calib}$ introduced in section 5.1, is the signal absolute value free from the diode reset noise, offset of the pre-amplify stage and the SF stage. The second one is acting as a buffer stage between pixel processing and the digitization stage. For the continuous processing of the system, the S/H circuit needs to start processing the signal from one sample while its provided “useful signal” of last sample is still being digitized by its following circuit.

The sampling techniques are broadly classified in two methods: parallel sampling and series sampling [3, 4], as presented in Fig. 6.12.

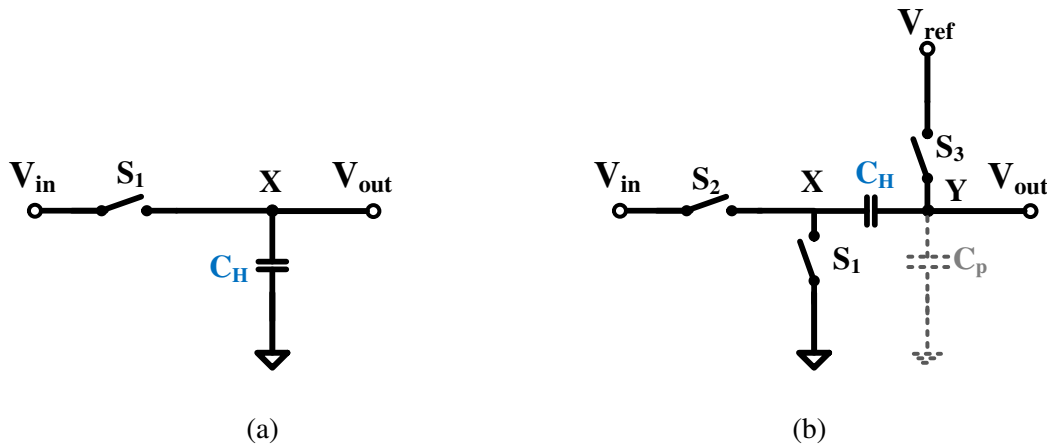


Figure 6.12: Sampling structure: (a) parallel sampling, (b) series sampling.

In the circuit of Fig. 6.12 (a), the sampling capacitor is in parallel with the signal, and the input and the output are DC-coupled. In the acquisition mode, S_1 is turned on for the voltage of the sampling capacitor C_H (point x) to track the level of the input signal and it is turned off in the transition to the hold mode.

In the circuit of Fig. 6.12 (b), the sampling capacitor is in series with the signal, thereby isolating the common-mode (CM) levels of the input and the output. During the acquisition mode, S_2 and S_3 are on and S_1 is off, sampling the input signal on C_H . In the transition to the hold mode, S_3 is firstly turned off to release node Y from V_{ref} ; and then subsequently S_2 is turned off while S_1 is turned on to short point X to ground, producing a voltage change equal to the input voltage at the output.

The series sampling structure has several advantages over the parallel sampling structure. Besides isolated input and output CM levels, the series sampling structure does not suffer from input-dependent switch charge injection errors. S_3 turns off before S_2 , and the gate voltage applied on S_3 is constant (V_{ref}), thus injecting a constant charge onto node Y. This error can be eliminated through differential operation.

With respect to the parallel structure, the series structure also has two disadvantages. The first one is that the nonlinearity of the parasitic capacitance C_p at point Y introduces distortion in the sampled value. This effect can be attenuated by using a large value C_H . The other one is it takes longer time for the sampling level to settle than in the parallel sampling structure. Because its output voltage always begins from the reset value (V_{ref}) for every sample whereas in parallel sampling structure the output voltage begins from a level close to its final value. .

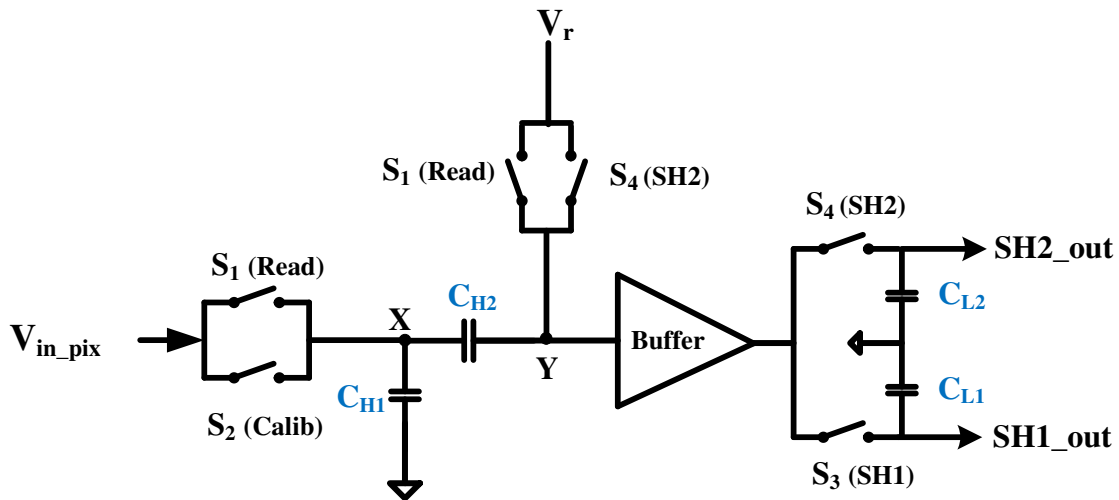


Figure 6.13: Schematic of the S/H circuit.

In this design, the two sampling techniques are combined to take both their advantages. Figure 6.13 represents the schematic of the S/H circuit. The circuit consists of four capacitors, an output buffer and six switches. V_r is the input reference level of the buffer. The small value (100 fF) parallel sampling capacitor C_{H1} is used for fast sampling the pixel signal and memorizing the pixel output reference level. The large value (350 fF) series capacitor C_{H2} isolates the CM levels of the signal from pixel and the signal provided to digital conversion. Due to the signal after sampling is provided to the DAC which is a capacitor array, the buffer is used here to guarantee

the speed of signal transition. In addition, after doing the signal subtraction ($V_{read} - V_{calib}$), two more capacitors are required (C_{L1} and C_{L2}). C_{L1} is used for memorizing the signal level after subtraction ($V_{read} - V_{calib}$), while C_{L2} is used for memorizing the offset level of the buffer.

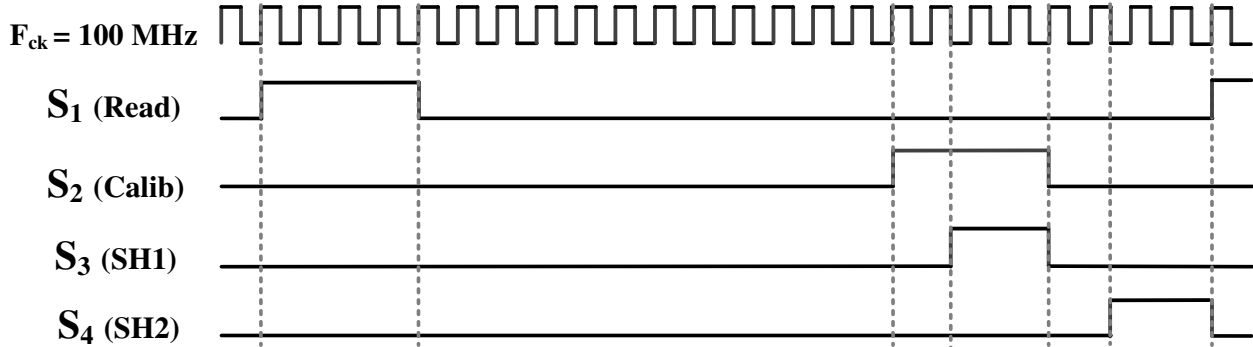


Figure 6.14: Timing diagram of the S/H circuit.

The circuit is then functioned with proper timing control of the six switches. The timing diagram is represented in figure 6.14. The switches S_1 and S_2 use the signals Read and Calib (Chapter 5). The switches S_3 and S_4 are controlled by signal SH1 and SH2 of the ADC, respectively. The detailed procedure is following:

- 1) At first, the pixel output signal (V_{read} : signal of charged particle with offset) is sampled. S_1 is turned on and the pixel output signal is sampled both on C_{H1} and C_{H2} . Then, C_{H1} and C_{H2} are disconnected from the pixel and the signal level is memorized on both of the capacitors. In this step, the voltage level at point X equals to V_{read} , and the voltage level at point Y equals to V_r .
- 2) Secondly, the pixel output reference level with offset (V_{calib}) is sampled and subtracted from V_{read} . S_2 is firstly turned on, making the voltage level at point X equal to the pixel output value (V_{calib}). Comparing to the first step, the voltage change at point X is $|V_{read} - V_{calib}|$. The voltage level at point Y tracks the voltage change of the point X. Therefore, at this moment, the voltage level of point Y is the difference of the reference value V_r and the “useful signal” value ($V_{read} - V_{calib}$). This is the useful signal free of offset due to the pixel output stage. Then, S_3 is activated and the useful signal, slightly attenuated by the gain of the buffer, is stored on C_{L1} . S_3 is turned on after S_2 in order to wait for the end of the offset cancellation operation.
- 3) In the end, S_4 is turned on, sampling and storing the offset value of the buffer on C_{L2} .

After all the above three steps, the difference between the samples stored on C_{L1} and C_{L2} ($V_{SH1} - V_{SH2}$) is the real signal value of the charged particle, free from all the offsets (both the pixel output stage and the S/H circuit).

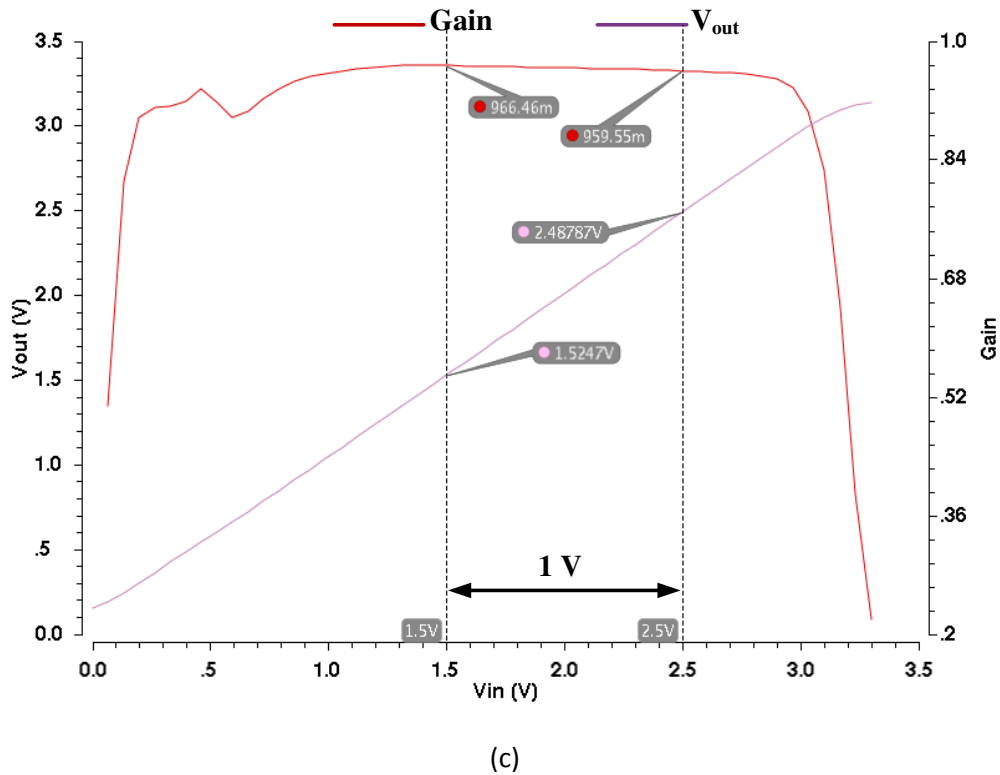
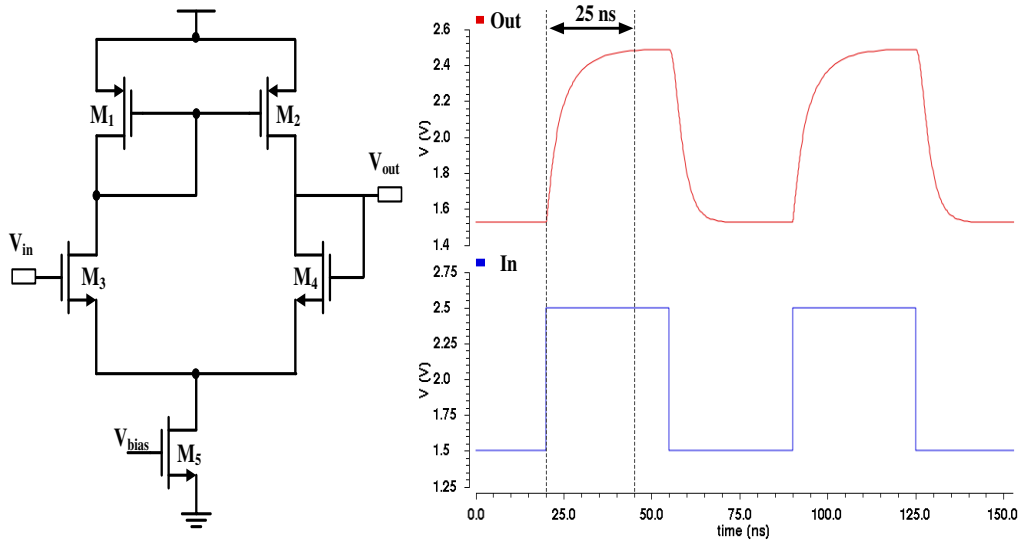


Figure 6.15: Schematic of the unit gain buffer (a); its transient response (b) and static response (c).

Since the concerned input signal value range from the pixel output is close to 1 V (Fig. 5.5), no further amplitude is implemented in this S/H stage. A unit gain buffer is chosen to driven the following capacitor array. Its schematic and simulated responses are given in Fig. 6.15.

According to Fig. 6.15 (c), the static gain is about 0.96 when the input common mode is around 1.5 V. Using this common mode value, its transient response with an input signal equaling to 1 V

is shown in Fig. 6.15 (b). The output load capacitor is set to a value of 800 fF, equal to the total capacitance of the following 3-bit capacitor DAC and sampling capacitor of the S/H block. The output load resistance is equal to the switch on resistance of S_3/S_4 (Fig. 6.13) plus SET/SH2 (Fig. 6.7). The settling time is about 25 ns, equals to the switch on time of SH1/SH2.

The column level readout offset can be cancelled thanks to the series capacitor C_{H2} . In order to verify the offset cancellation efficiency, an offset with the range from -50 mV to 50 mV has been added on the input signal in the simulation. The results are illustrated in Fig. 6.16.

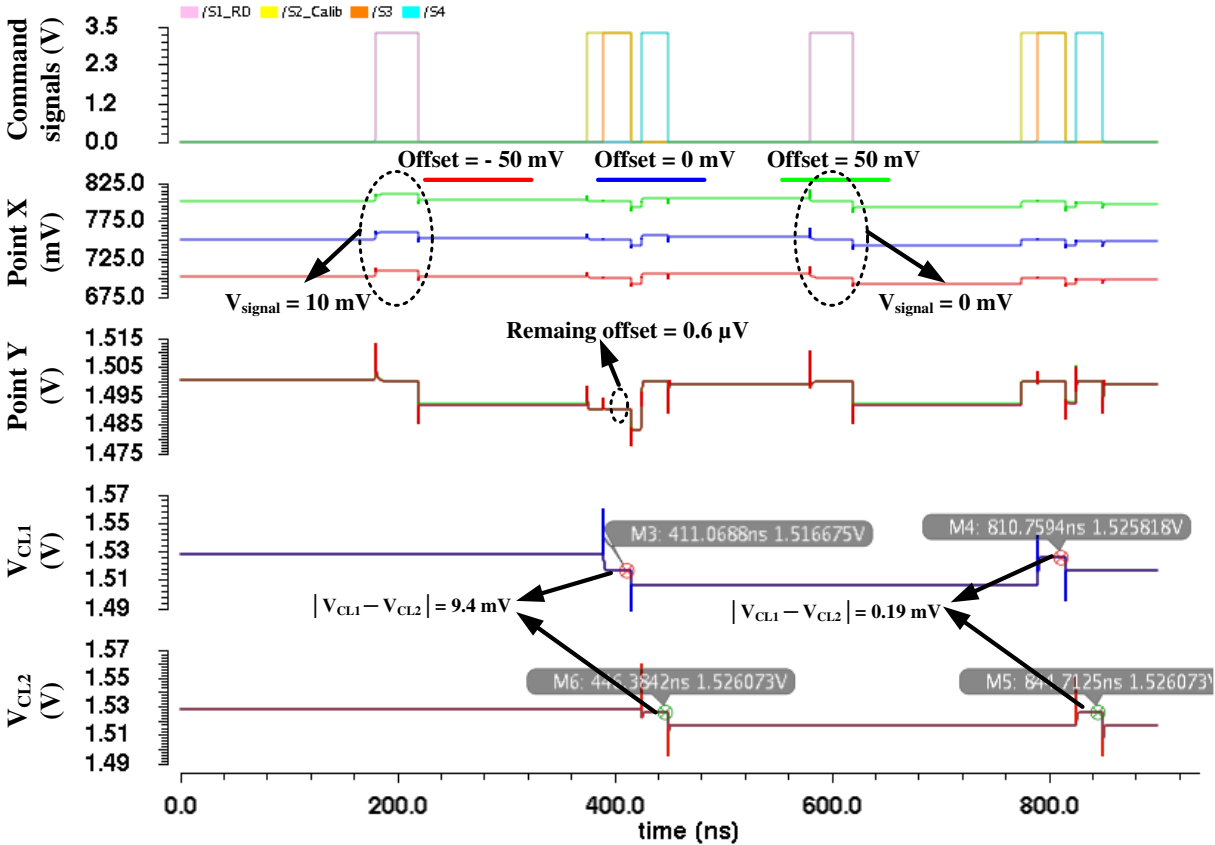


Figure 6.16: Column level offset cancellation simulation results.

From Fig. 6.16, it can be noticed that the remaining offset level on the point Y is only 0.6 μ V during S_3 is turned on. Another source of offset stems from the Buffer. However, this offset is sampled and stored on C_{L2} when S_4 is switched on. As the final value used in comparison is $V_{CL1} - V_{CL2}$, this offset is also cancelled. For a signal level of 10 mV, the output signal level after the offset cancellation is 9.4 mV (attenuated by the gain of the buffer), for without signal, the output signal level after offset cancellation is 0.19 mV. This simulation results show that the column level offset is suppressed efficiently.

6.2.3 Design of the comparator

6.2.3.1 The comparator architecture

As Fig. 6.17 illustrated, a typical comparator architecture utilized in A/D converters consists of a preamplifier A_1 and a latch and has two modes of operation: tracking and latching [5]. In the tracking mode, A_1 is enabled while the latch is disabled. The input difference value is amplified and “tracked” by the preamplifier A_1 . In the latching mode, A_1 is disabled and the latch is enabled so that the instantaneous output of A_1 is amplified and logic levels are produced at V_{out} .

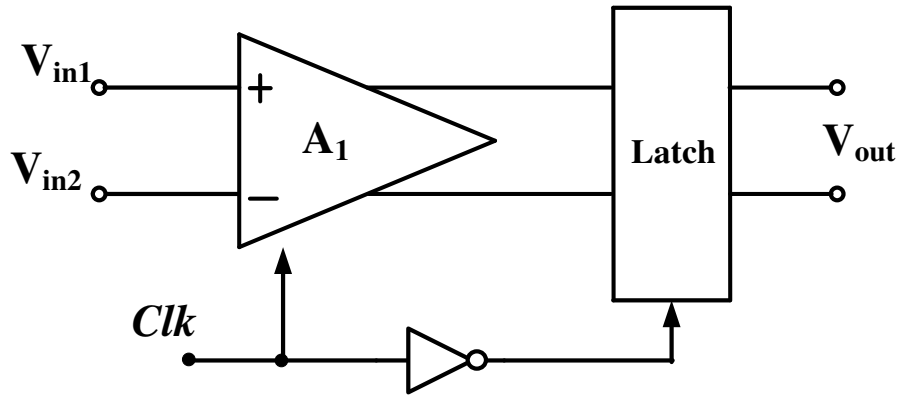


Figure 6.17: Typical comparator architecture.

The minimum resolvable input voltage of this architecture is limited by the offsets of MOS devices. The large mismatches of MOS devices makes it is mandatory to use offset cancellation in the comparator design for the high precision systems. There are varieties of comparator offset cancellation techniques [6, 7]; their architectures are similar to Fig 6.17, but have three modes of operation: offset cancellation, tracking and latching. Two of these techniques are widely used: the IOS (Input Offset Storage) and the OOS (Output Offset Storage).

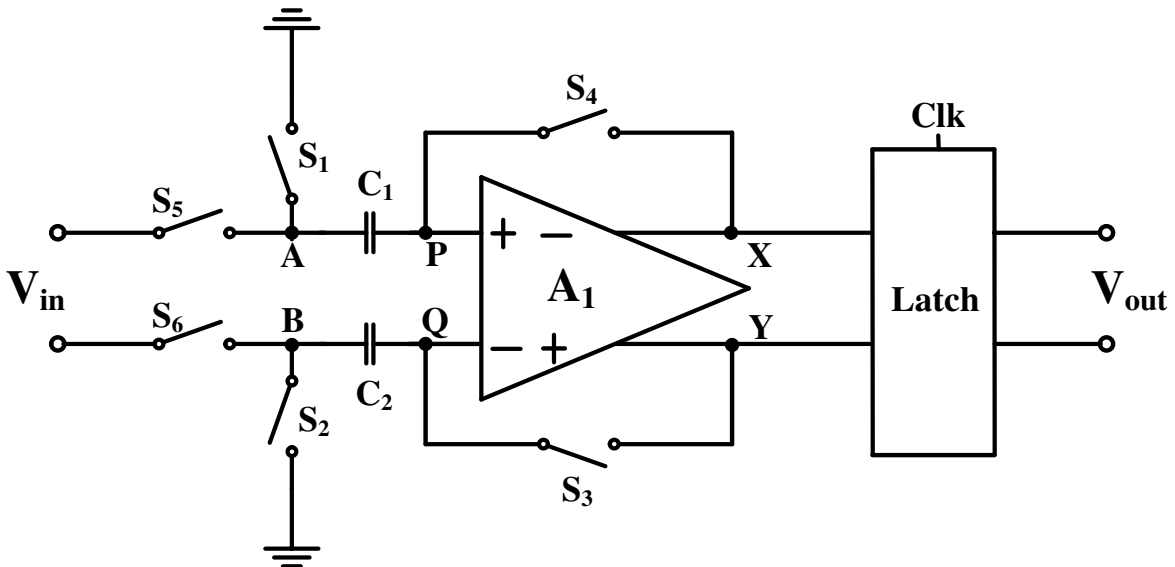


Figure 6.18: Input offset storage architecture.

Fig. 6.18 depicts the configuration of the IOS technique. During the offset cancellation mode, S_1 - S_4 are switched on, S_5 - S_6 are off, thus nodes A and B are grounded, a unit-gain feedback loop is established around the preamplifier A_1 , and the input offset is stored on C_1 and C_2 . During the tracking mode, S_1 - S_4 are off, S_5 - S_6 are switched on, the feed-back loop is open, and A_1 senses the analog input and amplifies the difference. In the latching mode, the latch is strobed so as to regenerative amplify the difference produced at the preamplifier output, hence providing logic levels at V_{out} .

The residual offset (the offset after cancellation) of this topology is given by [6, 7]:

$$V_{OS(tot)} = \frac{V_{OSA}}{1+A_1} + \frac{\Delta q}{C} + \frac{V_{OSL}}{A_1} \quad (6.3)$$

Where $V_{OS(tot)}$ is the total offset value, V_{OSA} and V_{OSL} are the offset of the amplifier and the latch respectively, A_1 is the gain of amplifier, Δq is the charge injected mismatch between switch S_3 and S_4 , and C is the value of C_1 and C_2 (assumed equal here). Thus, IOS reduces the effect of the preamplifier and latch offsets by approximately a factor of A_1 .

The IOS achieves a wide input range, however it features a large input capacitance and its offset cancellation ability requires a high gain, degrading the power-speed trade-off.

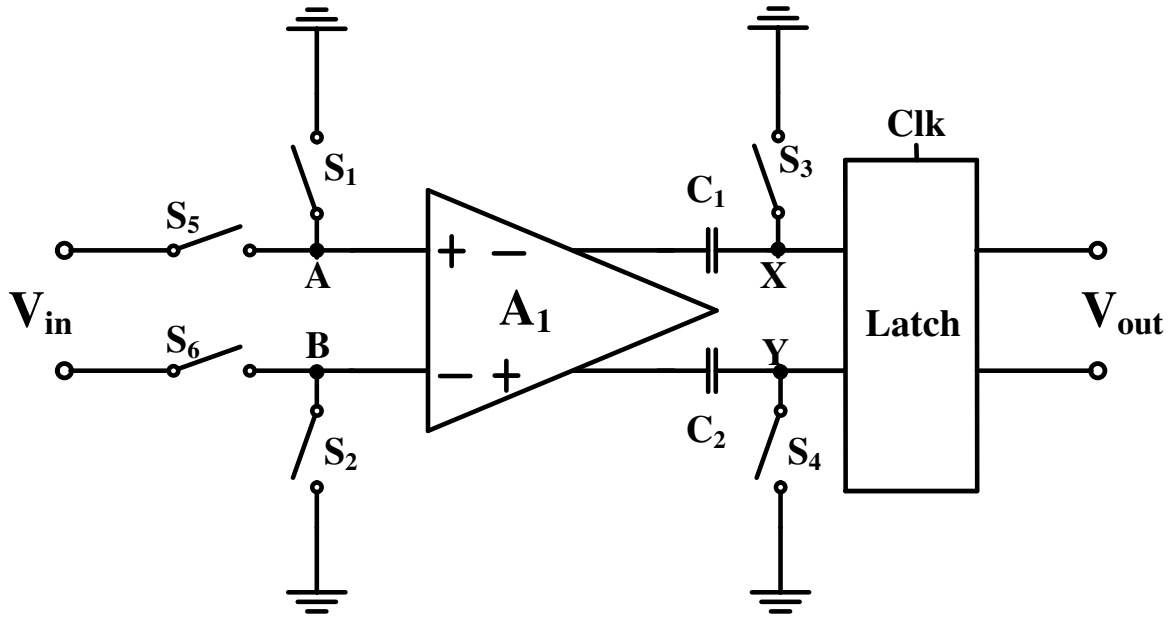


Figure 6.19: Output offset storage architecture.

The IOS technique measures the input offset of the preamplifier by closing a unity-gain feedback loop around it and stores the resulting offset on capacitors in series with the input. While the OOS technique measures the output-referred offset of the preamplifier by grounding its inputs

and stores the result on capacitors in series with the preamplifier output. Illustrated in Fig. 6.19, the OOS architecture operates as follows.

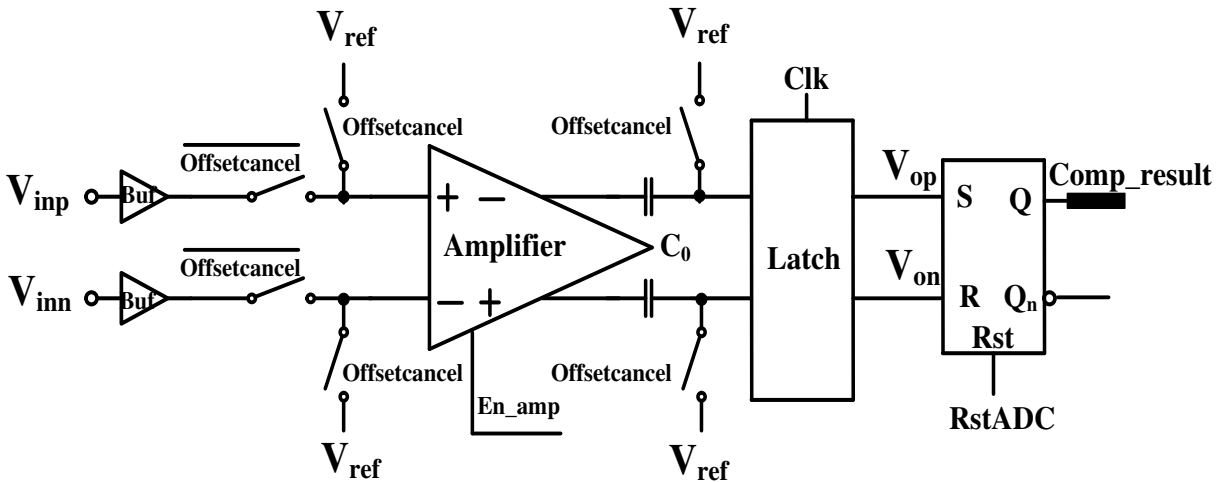
During the offset cancellation mode, S_1 - S_4 are switched on, S_5 - S_6 are off, thus nodes A, B, X, and Y are grounded and the preamplifier offset is amplified and stored on C_1 and C_2 . During the tracking mode, S_1 - S_4 are off, S_5 - S_6 are switched on. The signal is sampled and the offset is automatically corrected. Finally, in the latching mode, the latch is strobed to amplify its input voltage and produce logic levels at V_{out} . The total residual input referenced offset is [6, 7]:

$$V_{OS(tot)} = \frac{\Delta q}{A_1 C} + \frac{V_{OSL}}{A_1} \quad (6.4)$$

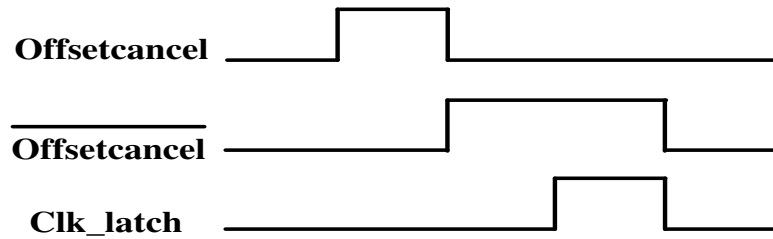
Where Δq is the charge injected mismatch between S_3 and S_4 . In contrast with IOS, the offset of the preamplifier is completely canceled, and the effect of charge injection mismatch is divided by A_1 . In addition, OOS exhibits less input capacitance than IOS.

There are two main drawbacks of this architecture. Firstly, a high gain amplifier can not be used to avoid the possible amplifier output saturation during the offset cancellation mode. As a consequence, OOS typically incorporates a single-stage amplifier with a gain less than 20 [7]. Secondly, contrast with IOS where rail-to-rail inputs can be accommodated; input DC-coupling limits the input common-mode range of this structure.

Due to the potentially lower offset and less input capacitance than IOS structure; the OOS technique is finally chosen for this design. Its schematic and timing are represented in Fig. 6.20.



(a)



(b)

Figure 6.20: The architecture (a) and its operation timing (b).

The differential inputs of the preamplifier are provided by S/H circuit and DAC, as introduced in section 6.2.1; these values are stored on the capacitors and very sensitive to the kickback noise of the comparator [8]. Therefore, two buffers are added in the front of the preamplifier to mitigate the kickback noise. The so called kickback noise is due to the large voltage variations in the internal nodes of the comparator; they are coupled through the parasitic capacitances of the transistors to in the comparator input and disturbing the input voltage.

6.2.3.2 The preamplifier

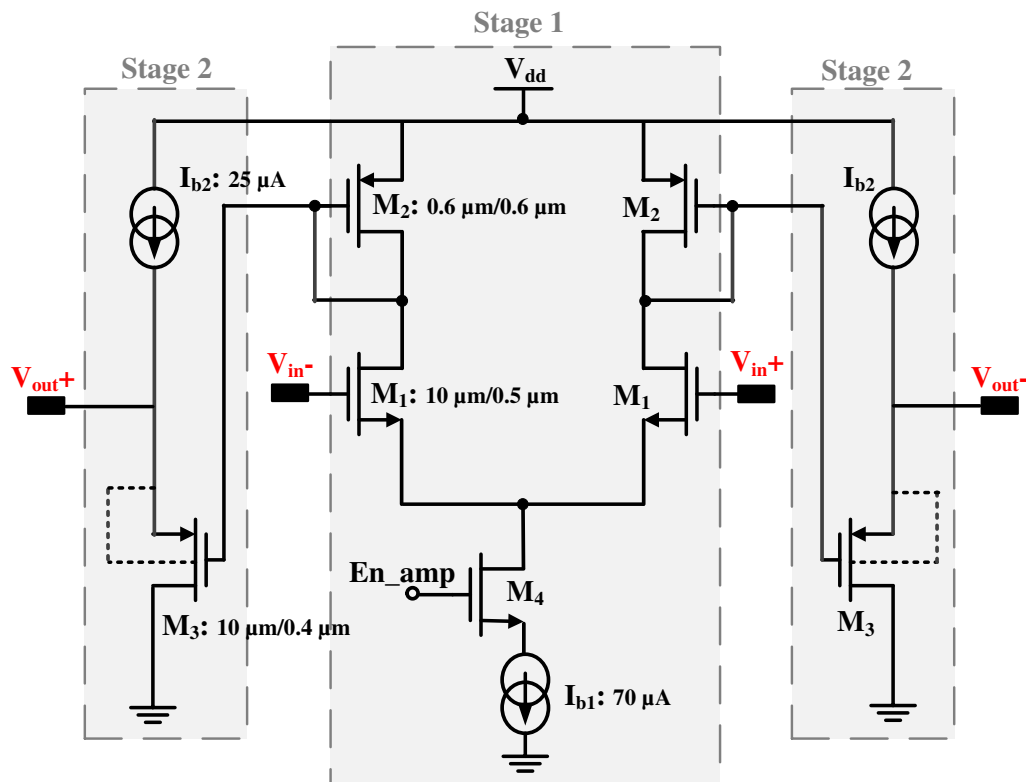


Figure 6.21: schematic of the preamplifier used in the comparator.

To obtain reasonable gain, speed and effectively reduce the kickback noise [8], two stages are employed in the preamplifier. As illustrated in figure 6.21, stage 1 is a differential NMOS input

pair with diode-connected loads, and stage 2 is two PMOS source followers with no body effect [9]. A switch signal En_amp provided by the FSM is used to switch off the bias current I_{b1} when appropriate, so as to increase the power efficiency. This appropriate occasion is right after the first comparison of each sample when the signal value is less than the threshold value. The power savings are proportional to the amount of time that the preamplifier is disabled and the amount of pixels have been fired each frame. For a single sample conversion, the amplifier either need to be switched on for only one comparison (30 ns) or all the four comparisons (30 ns \times 4). Because the full conversion time of each sample is 240 ns, the power consumption of the amplifier will be $\sim 280 \mu W$ for the case with signal and $\sim 194 \mu W$ for the case without signal (Equation 6.5 and 6.6).

$$\left(70 \mu A \times \frac{30 \text{ ns} \times 4}{240 \text{ ns}} + 25 \mu A \times 2\right) \times 3.3V \approx 280 \mu W \quad (6.5)$$

$$\left(70 \mu A \times \frac{30 \text{ ns}}{240 \text{ ns}} + 25 \mu A \times 2\right) \times 3.3V \approx 194 \mu W \quad (6.6)$$

The gain of the amplifier is mainly determined by the first stage and the second stage is used to improve the speed. According to the simulation, the global gain is 8.3 and the -3dB bandwidth is 120 MHz with 100 fF load (C_0).

6.2.3.3 The dynamic latch

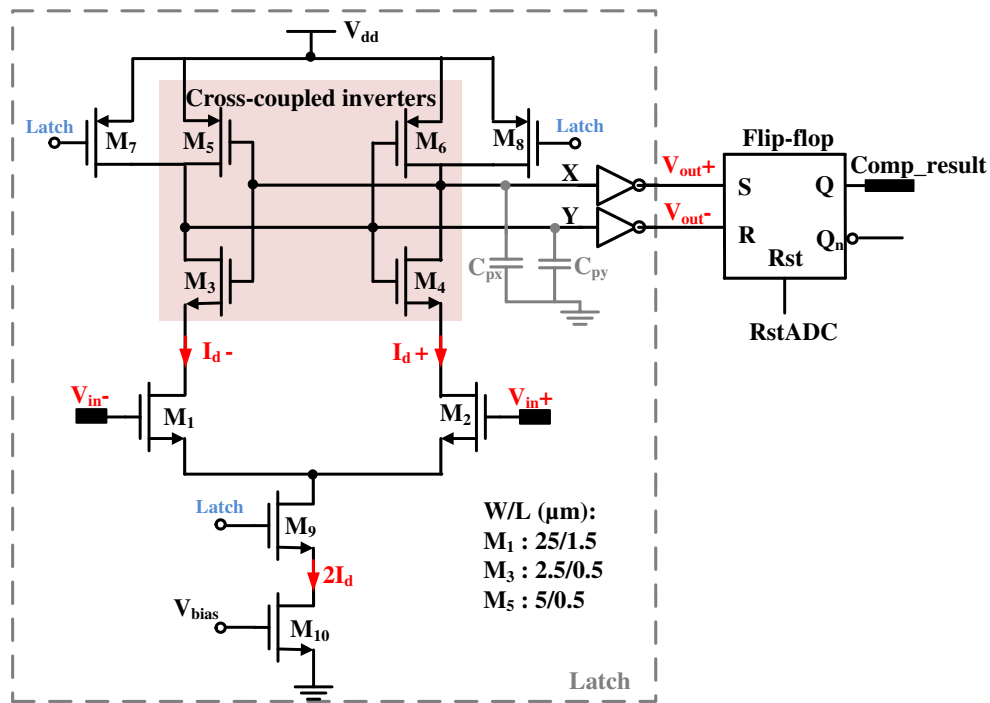


Figure 6.22: Schematic of the dynamic latch.

A dynamic latch offers good speed and no-static power dissipation shown in figure 6.22 is implemented in this design. It is a modification of the one proposed in [10]. $M_1 - M_2$ are the input

devices, $M_3 - M_6$ form the two cross coupled inverters acting as regenerative loads, $M_7 - M_9$ are switches, and M_{10} is biasing current source. Two additional inverters are used to balance the charges seen by the outputs of the latch. The latch outputs are finally loaded by a flip-flop.

When the “Latch” signal is low (resetting phase), the NMOS transistor M_9 prevents the static current flow; PMOS transistors $M_7 - M_8$ conduct and charge the parasitic capacitances (C_{px} and C_{py}) at point X and Y with the high potential “ V_{dd} ”. Thus, the latch outputs are reset to low. Once the “Latch” signal goes high, M_9 conducts and $M_7 - M_8$ are switched off. The differential inputs cause different branch currents through M_1 and M_2 , so the parasitic capacitors (C_{px} and C_{py}) at point X and Y discharge with different speed which leads to a potential difference between point X and Y. Subsequently, $M_3 - M_6$ amplify V_{XY} to rail-to-rail levels.

The input offset voltage of this architecture can be expressed as [11]:

$$V_{OS} = \Delta V_{TH1,2} + \frac{(V_{GS} - V_{TH})_{1,2}}{2} \left(\frac{\Delta(W/L)_{1,2}}{(W/L)_{1,2}} + \frac{\Delta R_L}{R_L} \right) \quad (6.7)$$

Where $\Delta V_{TH1,2}$ is the threshold voltage mismatch of the input devices M_1 and M_2 , $(V_{GS} - V_{TH})_{1,2}$ is the overdrive voltage of the input differential pair, $\Delta(W/L)_{1,2}$ is the physical dimension mismatch between M_1 and M_2 , and ΔR_L is the load resistance mismatch introduced by $M_3 - M_6$.

The first term on the right side of (6.7) stems from threshold mismatch which is a bias-current independent constant value. It is a strong function of process cleanliness and uniformity and can be substantially improved by a careful layout. The second term scales with the overdrive voltage and the device W/L ration. Therefore the offset of the dynamic latch can be reduced by enlarging the size of the input transistors and reducing their overdrive voltages. However, large input device size introduces large parasitic capacitor C_p , which decreases the gain of the preamplifier by a factor of $C_0 / (C_0 + C_p)$. To reduce the input overdrive voltage, a biased MOS transistor M_{10} is cascaded at the bottom to control the tail current.

The Monte Carlo simulation indicates this dynamic latch has an offset of around 1.6 mV (mean value) with 3.2 mV standard deviation. Divided by the gain of the preamplifier stage, the input referenced offset component contributed by the latch to the comparator is only around 0.2 mV (equation 6.4).

6.2.4 Layout and estimated power dissipation

The column level SAR control logic are described using the hardware description language Verilog and synthesized within a $200 \mu\text{m} \times 50 \mu\text{m}$ layout area. Figure 6.23 represents the layout of a single ADC. Its width is matched with the pixel pitch size; and its total length is about $850 \mu\text{m}$ including some switch blocks added for testability. The designed conversion period is 240 ns and estimated power consumption is about $550 \mu\text{W}$ with signal and $750 \mu\text{W}$ without signal (with 3.3 V power supply).

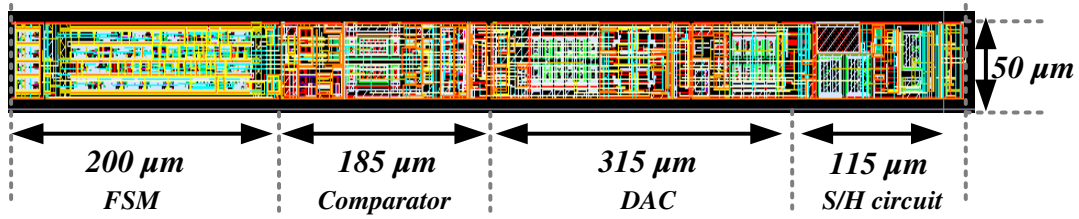


Figure 6.23: layout of the column-level ADC.

6.3 Test of the column level ADC

The reduced scale prototype contains 32 column ADCs. To determine their performances, pixel array is isolated and its output in Read and Calib phase were replaced by two external voltage references V_{test1} & V_{test2} . The full signal range was split into 300 identical steps. An average of 320 events has been calculated for each step. Its expected LSB is $700\ e^-$ corresponding to $23.1\ \text{mV}$ taking into account the pixel CVF measured previously.

The ADC power dissipation is also measured to 532 and $759\ \mu\text{W}$ with an input signal respectively lower and higher than threshold respectively. These results confirm the power efficient design due to the addition of the threshold comparison. Because most of the pixels are unfired during the operation, the average ADC power dissipation would be very close to the low power dissipation level without signal, for instance $539\ \mu\text{W}/\text{ADC}$ with 3% fired pixels.

6.3.1 Characteristics of a single ADC

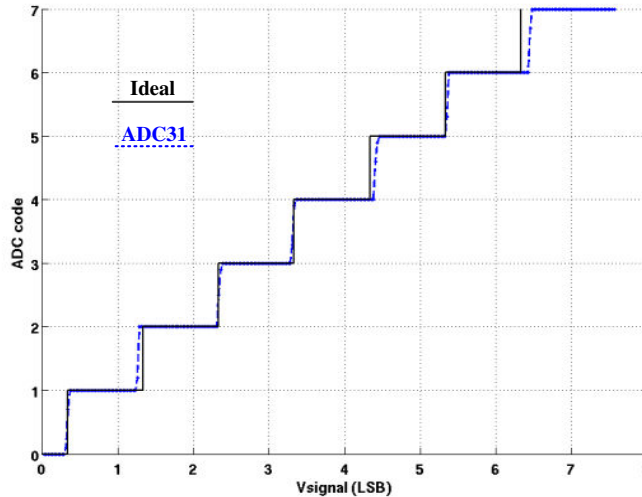


Figure 6.24: Transfer functions of ADC31 and the expected ideal one.

As described in section 6.2.1, the ADC transfer function could be adjusted by 4 external voltage references: V_{r1} , V_{r2} , V_{tc} and V_{dr} . These four references are applied to all the columns. Before start taking data of all the columns, for the purpose of choosing the suitable references for all the

columns, the performance of ADC31 (the ADC of the most right column) are used to compared with the ideal expected characteristic.

After the adjustment, a pretty good match of transfer function between ADC31 and the expected ideal one is achieved which is displayed in Fig. 6.24. As shown in Fig. 6.25, the INL/DNL for ADC31 are less than ± 0.12 LSB.

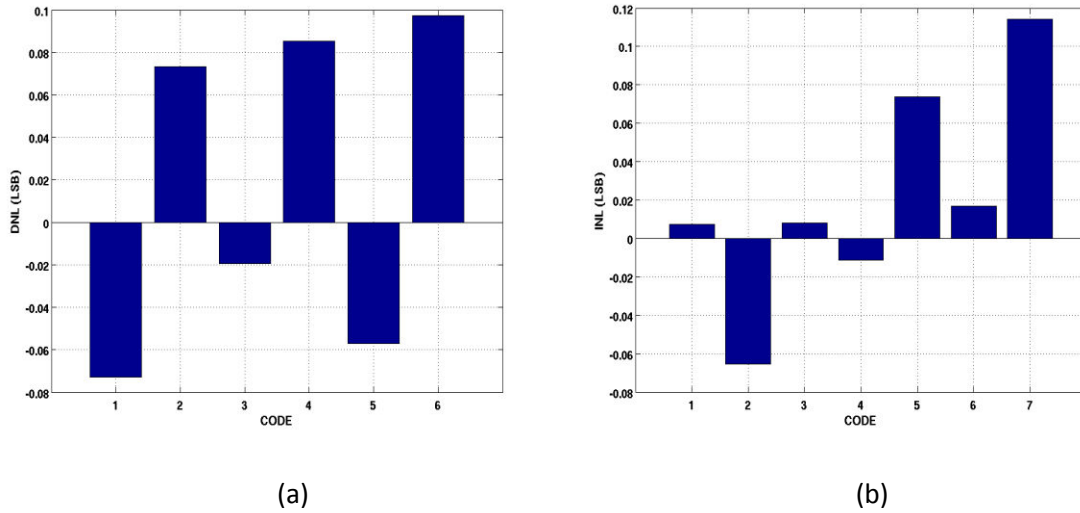


Figure 6.25: DNL (a) and INL (b) characteristics of ADC31.

6.3.2 Characteristics of the 32 columns

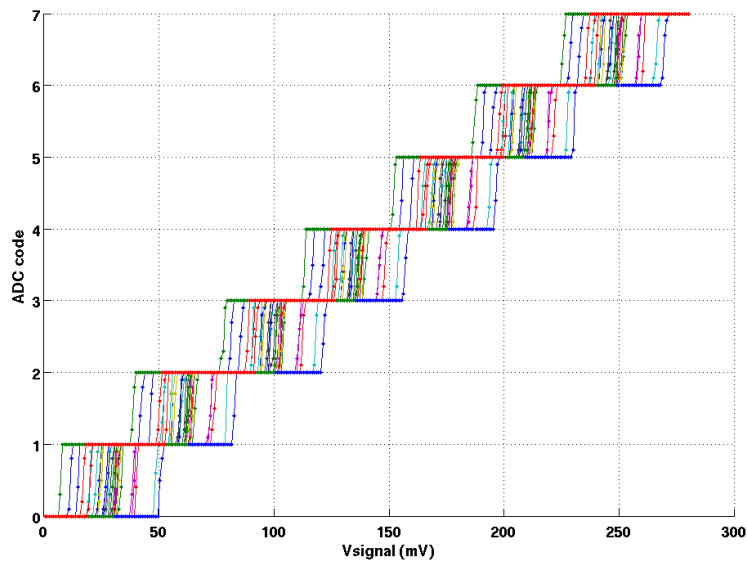


Figure 6.26: Transfer functions of the 32 column ADCs (enlarged LSB value).

Fig. 6.26 displays the transfer functions of the entire 32 column ADCs. Although each ADC keeps the same constant I/O characteristic, they suffer a significant dispersion between each column which is so called the column fixed-pattern noise (FPN). Test results indicate the FPN (rms) value is about 4.96 mV (0.21 LSB). Obviously, this value is too large and would be the main feature needs to be improved in the next prototype. The unidentified ADC performances would affect the reconstruction results which are going to be discussed in detail in section 7.3.

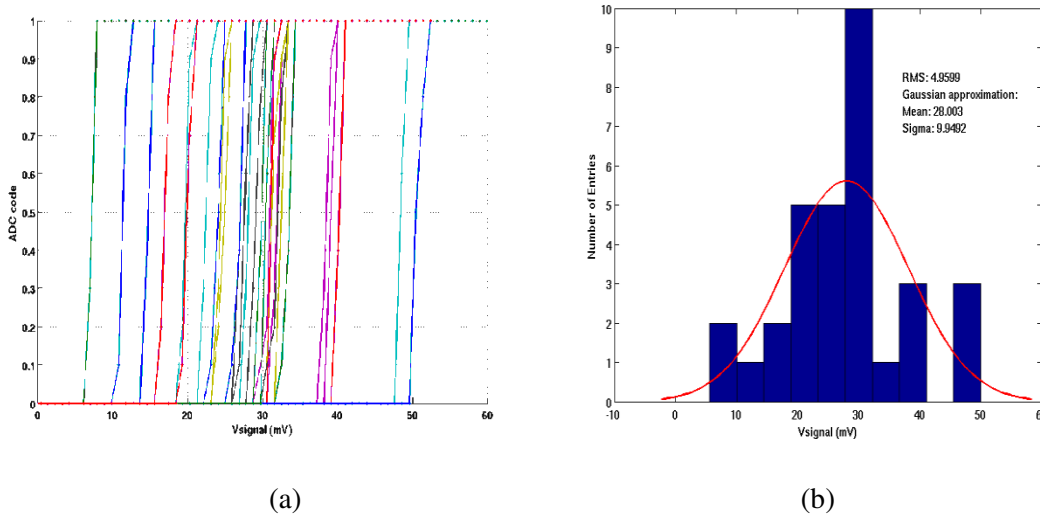


Figure 6.27: Column dispersion of the first bit: (a) zoom of the 1st bit; (b) fixed pattern noise.

In the design of COMETH, offset compensate techniques have been employed in the following blocks: pixel, S/H circuit and comparator. The offset of the ADC is mainly from the channel charge injection of the switch transistors on the DAC capacitors. These charge injections introduce errors to the two voltage levels used for comparisons. The quantity of this error is directly proportional to the size of the switch transistor and inversely proportional to the value of sampling capacitor, and could be expressed as [9]:

$$\Delta V \propto \frac{WLC_{ox}(V_{DD}-V_{in}-V_{TH})}{C_H} \quad (6.8)$$

Where C_H represents the value of the sampling capacitor, V_{in} is the potential needs to be sampled, V_{TH} is the threshold voltage of the transistor, C_{ox} is the transistor bottom-plate junction capacitance per unit area. In fact, the left side of equation 6.8 is the total charge in the inversion layer of the transistor while it is conducted. A fraction of this value will be injected to the sampling capacitor and create the error ΔV when the transistor is switched off.

For a single ADC transfer function, the offset caused by the channel charge injection could be corrected. As described in section 6.2.1 and equation. 6.2, the ADC transfer function offset could be adjusted by the difference of external bias V_{r2} and the comparator commode mode reference V_{r1} .

The measured column FPN is caused by the uncertainty of ΔV for each column and a certain V_{r2} for all the columns. Therefore, either reduce the maximum value of ΔV or provide differentiated reference “ V_{r2} ” for each column is helpful to reduce this column FPN.

6.4 Solutions for the ADC performance improvement

Test results indicate the ADC column FPN noise is the key performance needs to be improved in order to provide qualified data for the following digital processing logic. The solutions could be reducing the quantity of channel charge injection (ΔV) or compensating this error by additional references.

As equation 6.8 indicates, using a smaller size switch transistor and a bigger sampling capacitor value could help obtaining a smaller charge injection error. However, this would consume more power to realize the same speed and the error can still not be cancelled. Several other techniques could also be used; such as addition of “dummy” device, using of complementary switches or differential sampling circuit [9], but each leading to other trade-offs.

Compensating the offset error by additional references is an effective method. The column ADC designed for HMRM ASIC (Fig 6.28) employs an 8-bit trimming DAC to compensate the comparator offset [12]. Each ADC has its own trimming register, and has to be calibrated separately before acquiring data.

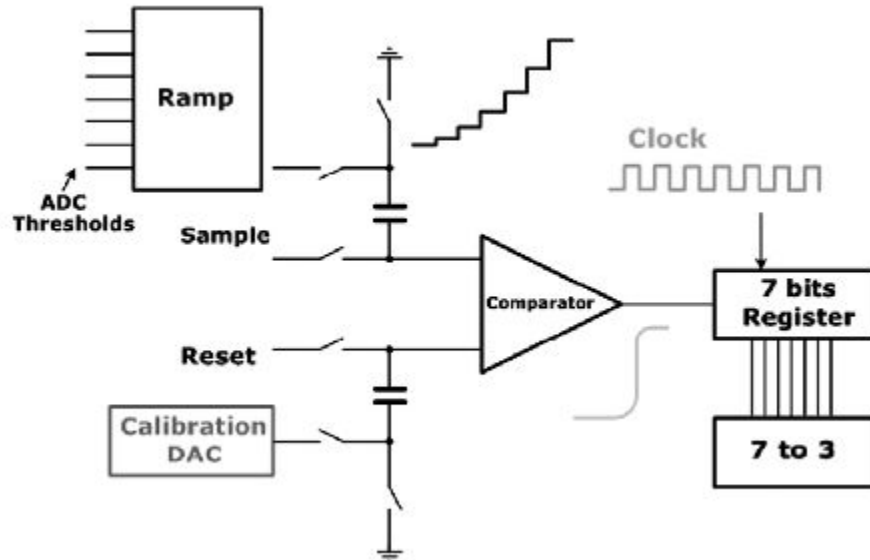


Figure 6.28: Overview of the ADC designed for the HMRM ASIC. An 8-bit trimming DAC compensates the comparator offset [12].

Bring this compensation method to the ADC designed for COMETH, hypothesis a 6-bit programmable “ V_{r2} ” with 1 mV resolution could be used to adjust the offset separately for each

column. A much better noise results, 0.25 mV (0.01 LSB) FPN rms value, of the 32 columns would be achieved as illustrated in figure 6.29.

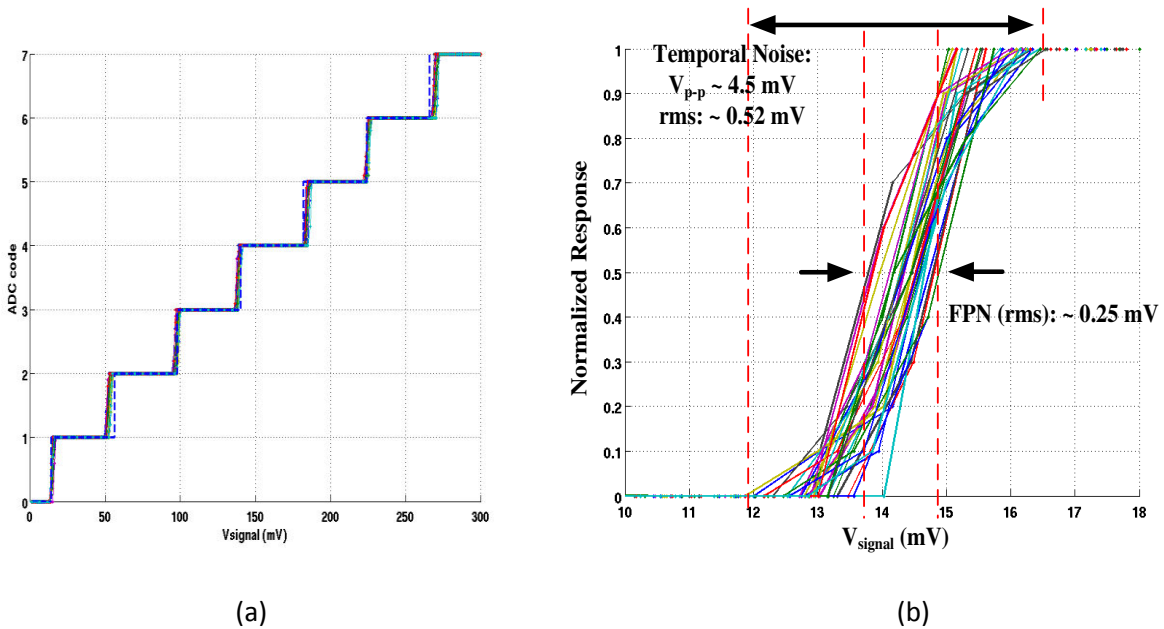


Figure 6.29: Results with compensation: (a) transfer functions of 32 columns; (b) noise of the first bit.

However, adding a 6-bit DAC to each column ADC with just 3 bits resolution seems a waste of hardware area. A column ADC designed for the CMOS vertex detector [13] brings another low FPN idea for low resolution ADCs with advantages of low power and small area.

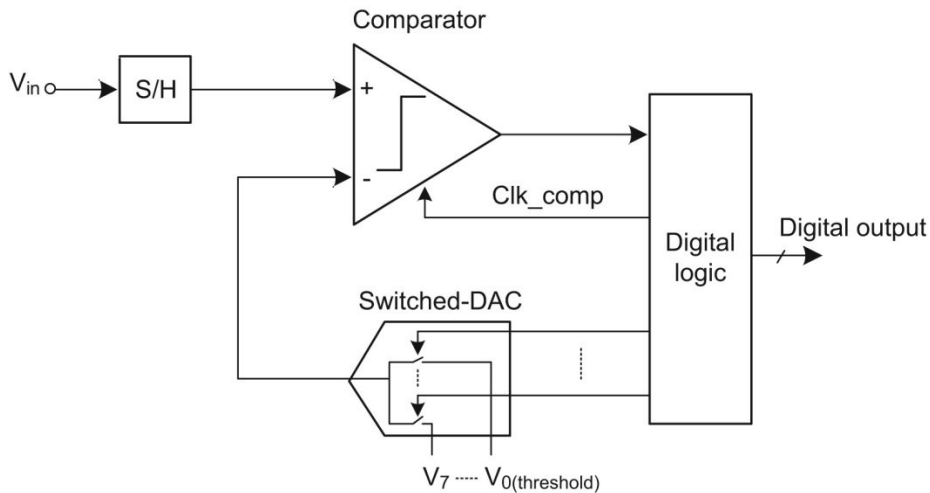


Figure 6.30: The column ADC architecture with Switched-DAC for comparator references [13].

The DAC used in Fig. 6.30 is not implemented with a capacitor array as the typical design. It is implemented with a switch multiplexer with eight external references. The references for all the ADCs are not generated in each ADC itself, they are provided for all the columns at the same

time, it potentially reduces the diversity of ADC references thus the column FPN. This method is especially attractive to low resolution column ADCs for small size sensors. High resolution ADC would require a very large number of references (2^n); large sensor size may lead to a significant references voltage drop from side to side. Moreover, the removal of capacitor array release the switch transistor size requirement and costs less power consumption for the same sampling rate. The tested FPN rms value of this architecture is only 0.40 mV for a sensor width of 1680 μm . For the full size COMETH with 3200 μm sensor width, with the same architecture, a FPN (rms) slightly higher than 0.40 mV (0.017 LSB) can be foreseen.

Bibliography

- [1] Carmen Parisi. *Tradeoffs in New-generation ADCs*. EEWeb. Aug 22, 2011. Availablely at: http://www.eeweb.com/blog/carmen_pari/balancing-the-tradeoffs-in-new-generation-adcs
- [2] Andrew G. F. Dingwall and Victor Zazzu. An 8-MHz CMOS Subranging 8-bit A/D Converter. *IEEE J. Solid-State Circuits*, vol. SC-20, no. 6, Dec. 1985, pp. 1138-1143.
- [3] B. Razavi. *Design of Sample-and-Hold Amplifier for High-Speed Low-Voltage A/D*. IEEE 1997 Custom Integrated Circuits Conference, 1997.
- [4] B. Razavi. *Design of a 100-MHz 10-mW 3-V Sample-and-Hold Amplifier in Digital Bipolar Technology*. *IEEE Journal of Solid-State Circuits*, vol. 30, no. 7, pp. 724-730, July 1995.
- [5] B. Razavi. *Principles of Data Conversion System Design*. IEEE Press, NY, 1995.
- [6] D. J. Allstot. *A Precision Variable Supply CMOS Comparator*. *IEEE J. Solid-State Circuits*, vol. SC-17, pp. 1080-1087, Dec. 1982.
- [7] B. Razavi and B. A. Wooley. *Design Techniques for High-Speed High Resolution Comparators*. *IEEE J. Solid-State Circuits*, vol. SC-27, PP. 1916-1926, Dec. 1992.
- [8] Pedro M. Figueiredo, et al. *Kickback Noise Reduction Techniques for CMOS Latched Comparators*. *IEEE Transactions on circuits and systems*. VOL. 53, NO. 7, July 2006.
- [9] B. Razavi. *Design of Analog CMOS Integrated Circuits*. McGraw-Hill Companies, Inc. 2001.
- [10] T. Kobayashi, et al. *A current controlled latch sense amplifier and a static power-saving input buffer for low-power architecture*. *IEEE J. Solid-State Circuits*, vol. 28, pp. 523-527, Apr. 1993.
- [11] P. R. Gray and R. G. Meyer. *Analysis and Design of Analog Integrated Circuits*. Third Edition, John Wiley and Sons, New York, 1992.
- [12] N. Guerrini, et al. *Design and characterization of a highly miniaturized radiation monitor HMRM*. *Nuclear Instruments and Methods in Physics Research A*. 731, 154-159. 2013.
- [13] L. Zhang et al. *A low-power and small-area column-level ADC for high frame-rate CMOS pixel sensor*. *Nuclear Instruments and Methods in Physics Research A*. 752, 15-19. 2014.

Chapter 7

Embedded digital signal processing

The satellite downlink transmission rates are typically from hundreds kbps to a hundred Mbps [1, 2 and 3]. However, the original data output from most of the detectors providing precision measurements is far beyond this rate. The relative low transmission speed forces the satellites to increase the capacity of memory or compress and sparsificate the data on board; finally result in increasing the power and weight.

CMOS Pixel Sensors, being a monolithic full detection system, capable to process the data on chip and provide high level information itself. This would finally lead to satellite power and weight reduction which is especially crucial for technique of small satellites [5, 6].

The ADCs outputs rate in COMETH have already reached up to ~ 1 Gbps; the embedded digital processing block is designed to suppress this data amount thus relax the data transmission stress, and process the data to remove signal treatment power aside the sensor.

The operation principle, hardware system design, simulated performances and limitations of this embedded algorithm are introduced in this chapter.

7.1 Operation principle

The target design functionalities are clusterization, summation, separation and counting as described in section 4.3. The algorithm groups adjacent pixels belongs to a cluster and sums their digital values to estimate the deposited energy associated. The basic operation principle of this digital processing stage is exactly the same with the algorithm used during the pixel response simulation phase which is introduced in section 3.3.2.4.

Firstly, the adjacent non-zero pixels are trimmed from zero pixels to identify clusters; secondly, the digital value of the pixels in a cluster are summed to obtain the cluster ADC counts; then each cluster is recognized as one event for one of some pre-defined groups by its cluster ADC counts; finally, the events belongs to each group are counted, output and reset every particular time.

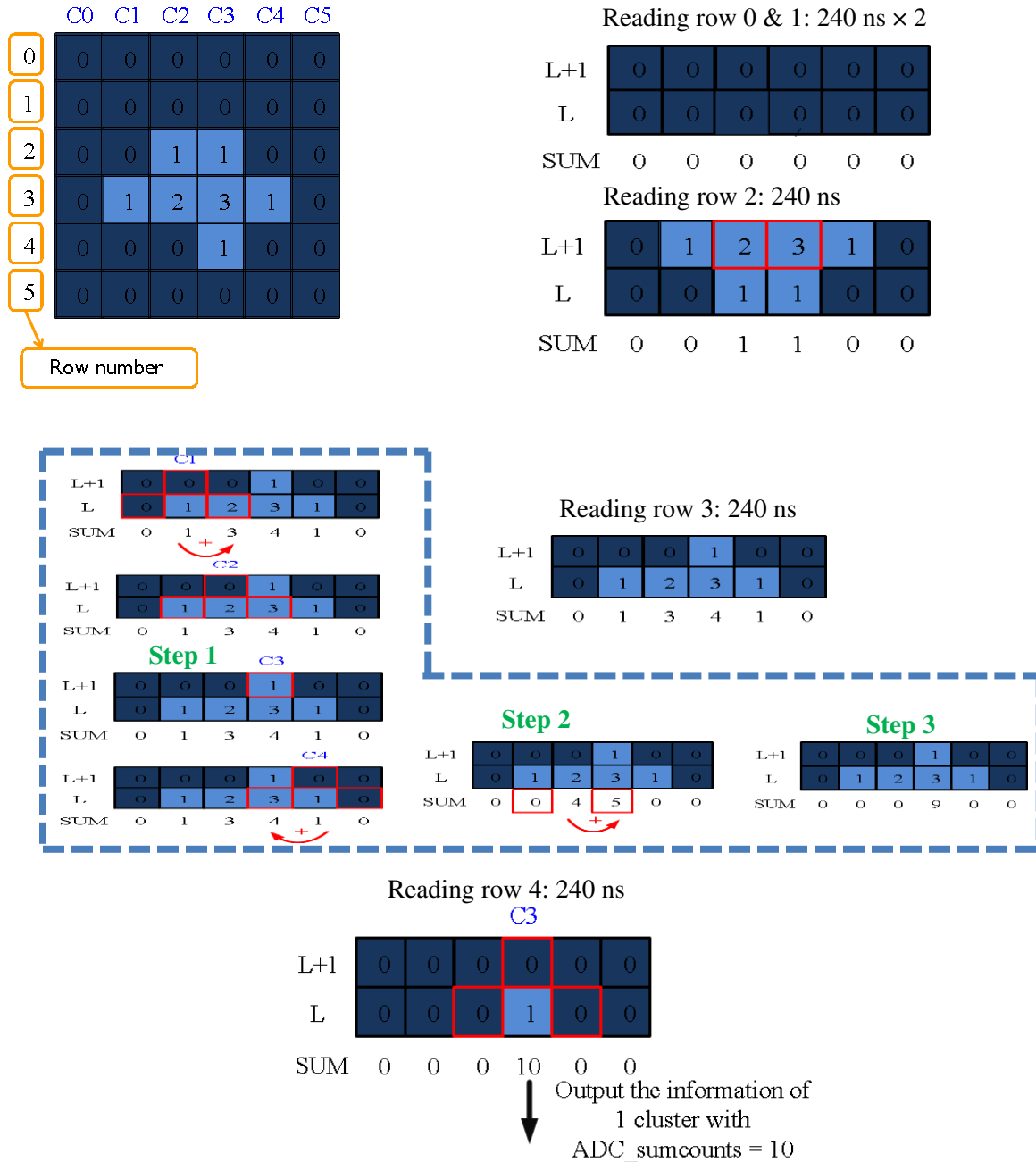


Figure 7.1: Principle of the clusterization and summation.

In order to realize the on time data processing; the cluster reconstruction time should match with the data providing time of its upstream analog to digital conversion block. Fig. 7.1 shows the detail of the clusterization and summation principle by an example. In the example, a 6x6 pixels sub-matrix of the sensor consists one cluster with 7 fired pixels; the ADC values of these pixels are provided to the digital processing block row by row. The date maintaining time for each row is 240 ns. Thus the ADCs data are also processed row by row; and each column value in one row is processed simultaneously. For simpler expression, the row in processing is referred to as row

“L”, the row is going to be processed is referred to as row “L+1”, and the memory used to keep the summation results is referred to as “SUM” in the example.

At the beginning, the digital value of row 0 is provided to the algorithm; the “SUM” keeps “0” for each column cause no pixel is fired. After 240×2 ns, the algorithm starts processing data from row 2. “SUM” keeps the digital values of the two adjacent fired pixels at column 2 and 3. The summation of these two values is determined by row 3 which is going to be processed. For each column, once there is a fired pixel found in row “L”, its digital value is added and kept in “SUM”; then if the pixel in this column is unfired in row “L+1”, the summed result of this column will be added to its neighboring columns; if not, each column keeps its results in “SUM”. As the situation in this example, the pixels in column 2 and 3 of row 3 are both fired, so “SUM” maintains “1” for both of column 2 and 3.

After another 240 ns, the algorithm starts processing row 3. This row contains 4 adjacent fired pixels. Firstly, all these four pixels digital values are added to its corresponding “SUM” column. Then the summation between columns processes in three steps:

- Step 1: each column determines whether adds its value to its neighboring columns in the next step. In the example, column “C1” is going to add its value to column “C2”, column “C2 and C3” keep their results and column “C4” would add its value to “C3”. For column “C1”, because the pixel of row “L+1” in this column is unfired, there is no more fired pixels in this column belongs to this cluster in expectation, meanwhile for its left neighbor column value is “0”, this column is determined to be the left edge of the cluster, its value is determined to be added to its right side column “C2”. For column “C2”, the “L+1” row pixel is unfired so this column value will be added to one of its neighboring columns, however both its left and right side column values are nonzero at this moment, its value are temporarily maintained and waiting for the next step. For the column “C3”, because its “L+1” pixel is fired, this column value is maintained in the whole phase of row “L” processing. For the similar determination conditions of “C1”, the value of column “C4” is determined to be added to its left side column “C3”.
- Step 2: do the additions determined in step 1 and keep doing the determinations left in previous step. After the addition, nonzero columns are “C2” and “C3”. The value of column “C3” was determined to be maintained until at least next row processing. Because the left side column of “C2” is “0” at this moment, the value of “C2” is determined to be added to its right side column “C3” in the next step.
- Step 3: do the additions determined in step 2 and keep doing the determinations left in previous step. After the addition, the total digital values of the pixels have been processed are maintained in column “C3” of “SUM”, which is “9” in the example. There are no more determinations left in this step for the example in Fig 7.1. However, if the cluster was larger, more steps are required to complete all the determinations. For instance, 9 fired adjacent pixels in a row may need 5 or 6 steps in some worst cases to complete the

additions. In this design, the operation time of each step was designed to be 40 ns (240 ns/6) preparing for the huge cluster size triggered by low energy protons.

Then, the data of row 4 is provided to the algorithm. There is only one fired pixel in column “C3” and the “L+1” pixel of this column is unfired; so it is determined to be the last pixel in this cluster, its value is added to “SUM”. Both the clusterization and summation of this cluster are finished. Its final cluster ADC counts “10” will be used for the following separation and counting.

The separation process is quite simple. The clusters are separated into 4 groups in this design by their ADC counts in the interval [1, 8], [9, 20], [21, 70] and more than 71. These numbers are chosen based on the sensor response simulations introduced in chapter 2. The four groups are expected corresponding to be clusters triggered by electrons and high energy protons (>50 MeV), protons with energy [30 MeV, 50 MeV], protons with energy [2 MeV, 30 MeV] and protons with energy lower than 2 MeV. More precise or different group strategies could be implemented by different shielding and measurement needs.

Finally, a counter is used in each group to count the events recognized belong to each group. The results are output and reset every “particular time”. The required capacity of memory for each counter is proportion to this “particular time”. In the current design, the results are read out frame by frame; the memory for each group was designed to be 5 bits which could maximally record 31 events.

7.2 The hardware system

The upstream ADCs provide digital data flow row by row. Each row consists 64 pixels; and each pixel has 4 bits digital words in which 3 bits are signal value and an extra bit represents the pixel is fired or not.

The digital processing hardware system consists 5 parts to perform the algorithm described in last section. Their interfaces and data transmission flow are illustrated in Fig 7.2:

- 1) “Memory_temp” is used to temporarily store two rows data. As described in the operation principle, the summation determination requires both the information of the on processing row “L” and the following row “L+1”. The 3-bit signal value and the extra bit are stored separately;
- 2) “Finite state machine” contains two FMSs (Finite State Machine). One is used to control the processing states of the summation; the other one is used to separate events to the four pre-set groups by their cluster ADC counts;
- 3) “Cluster data sum” is used to perform the functionality of summation;
- 4) “Counter & species separate” is used to count the events number of each group and reset every frame;

5) “Final output part” is used to parallel output the data through 4 channels. In the current design, the 5-bit data of each channel are serially output through a shift register frame by frame.

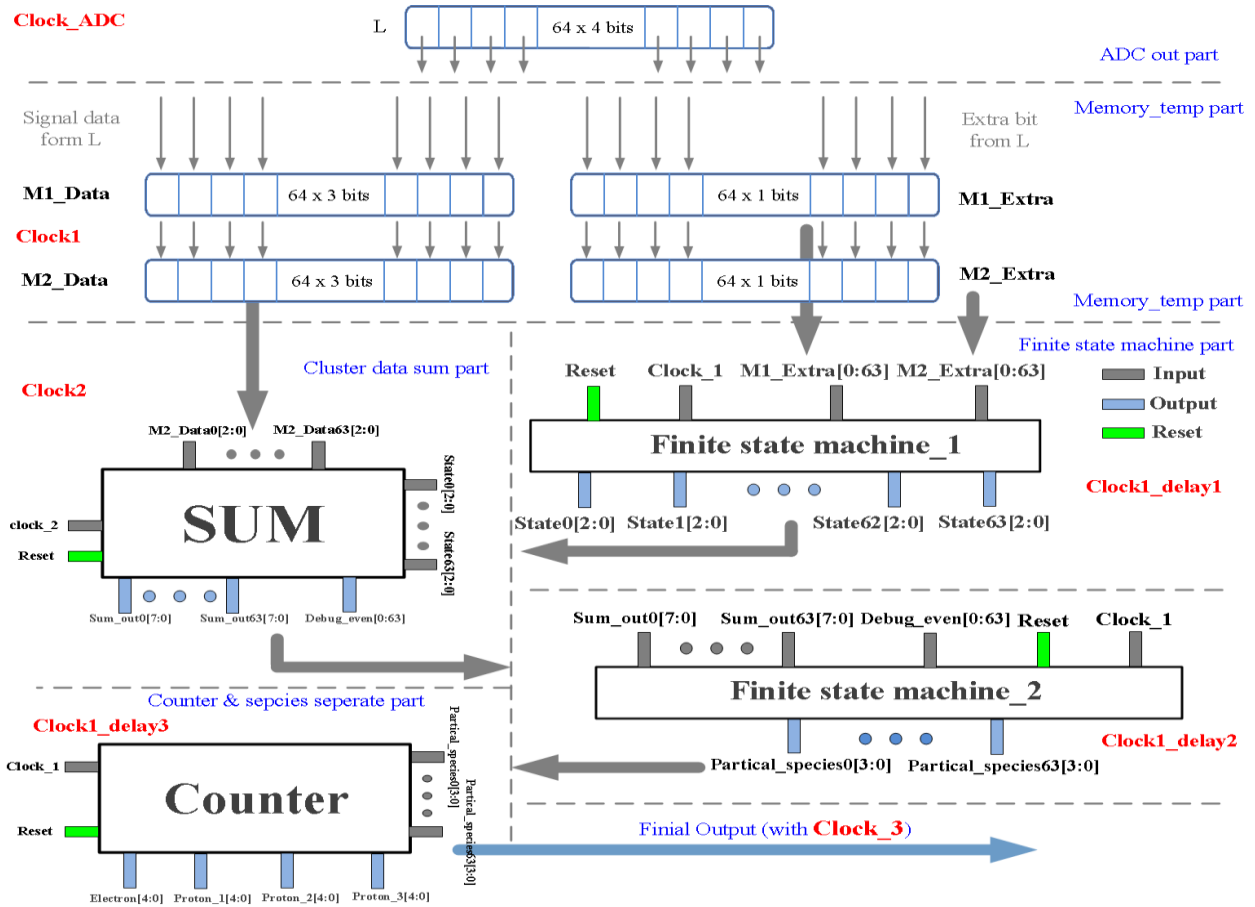


Figure 7.2: the digital processing hardware system.

These five blocks are controlled by 6 different clocks because of their different functionalities and processing orders. Fig. 7.3 illustrates their timing relationships where Clock_3 is absent because its frequency is too slow to compare with others. The details of these clocks are described below.

- Clock_ADC, Clock1, Clock1_delay1/2/3: 120 ns pulse width, 240 ns period, 4.17 MHz frequency. Clock_ADC is not used for this digital processing stage, it is used for the data providing of the upstream ADCs stage. Clock1 and Clock1_delay1/2/3 have the same frequency with Clock_ADC. Different delays are introduced because of their processing orders and the delay of real silicon devices;
- Clock2: 6 times speed of Clock1, 20 ns pulse width, 40 ns period, 25 MHz frequency. This frequency was chosen to deal with the possibly huge cluster size (9 columns × N rows). triggered by low energy protons;

- Clock3: 1.536 μ s pulse width, 3.072 μ s period, 325.5 kHz frequency. Clock3 determines the readout data rate. It is temporally set at 5 times of the sensor frame rate in order to serially read out the 5-bit data of each channel frame by frame.

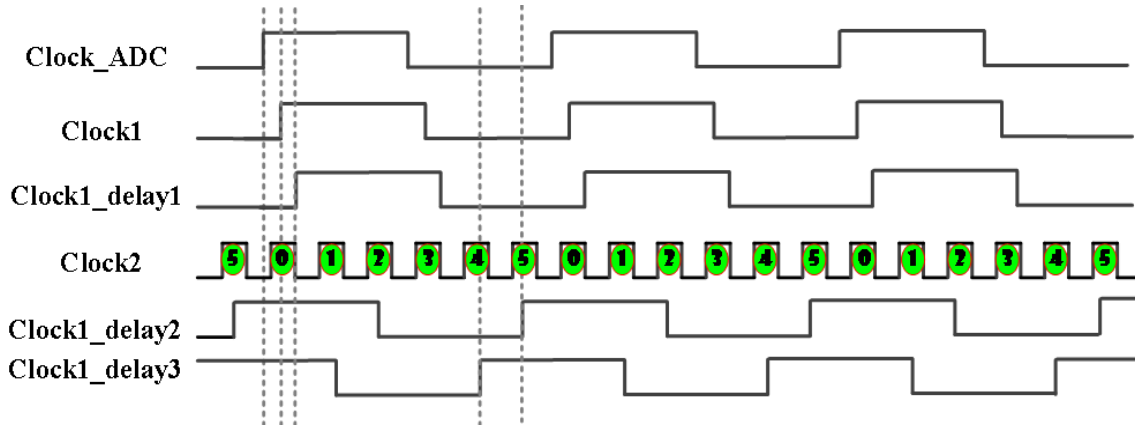


Figure 7.3: Timing for the digital processing system (not scaled).

7.2.1 The temporary memory block

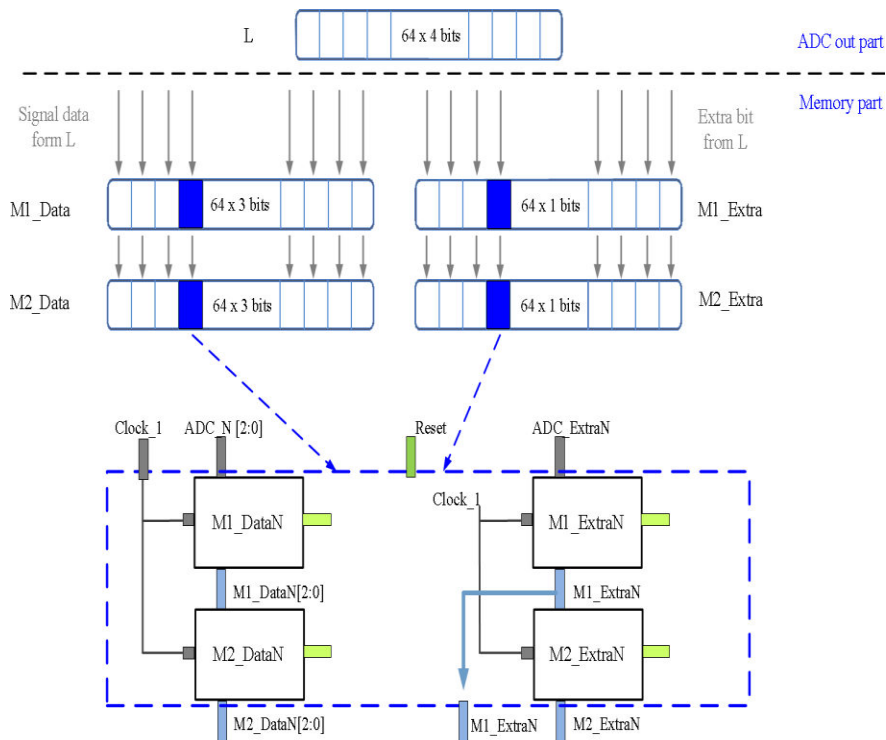


Figure 7.4: interface of the temporary memory block.

This memory block is used to accept the data flow from its upstream ADCs and store the data of two continues rows. The data of in processing row “L” is stored in M2_Data and the data of its

following row “L+1” is stored in M1_Data. This block output the signal value of row “L” and the fired or unfired information of both row “L” and row “L+1” (Fig. 7.4).

7.2.2 The finite state machine_1

This block controls the processing states of the summation. Its inputs are the extra bit information of the two continues row. It contains 64 cells for 64 columns; the 3-bit output of each cell contains 6 possible orders to the “cluster data sum” block: 1) do nothing; 2) wait for summation; 3) add the result of this column to the left column; 4) add the result of this column to the right column; 5) output the result of this column; 6) keep the result until processing next row.

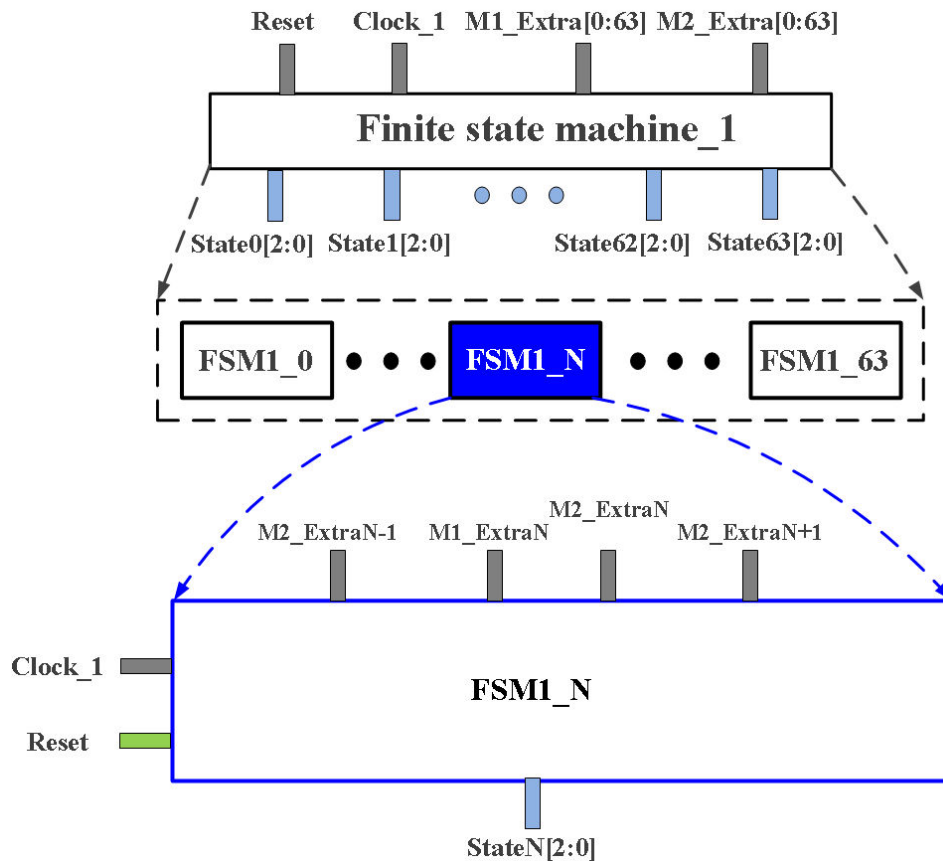


Figure 7.5: interface of the Finite state machine_1.

7.2.3 The cluster data sum block

The cluster data sum block is the core part to perform the clusterization and summation functionalities. It also contains 64 basic cells for the 64 columns. Fig. 7.6 shows the interface of the basic cells. Each cell processes the data from its corresponding column ($M2_DataN[2:0]$) and two adjacent columns ($Data_fromL[7:0]$ & $Data_fromR[7:0]$) by the orders from the finite state machine_1 ($State[2:0]$); and the processed results may be provided to one of the two adjacent columns ($Data_toR[7:0]$ & $Data_toL[7:0]$) or output to its downstream block finite state

machine_2 (Sum_out [7:0]). “PtL” and “PtR” tell the results of this column are going to be added to its left side column or its right side column; they simplify the processing of “Sum Core” and debug the algorithm (Debug_even[N]). For instance, if one cluster contained even number of fired pixels at its last processing row, this block will output the cluster ADC counts twice; “Debug_even[N]” is used for its downstream block to correct this mistake.

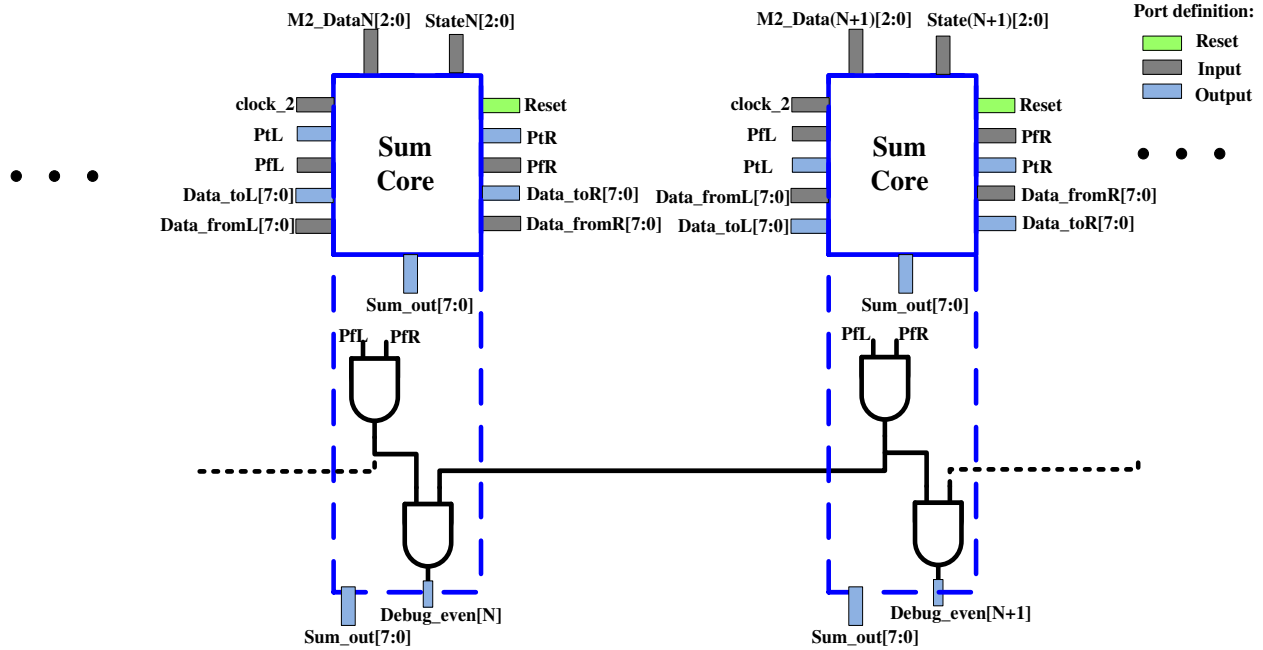


Figure 7.6: column cell interfaces of the cluster data sum block.

The “Sum Core” of each cell contains four adders and one “SUM_Controller” to perform the final summation. Its architecture is shown in Fig. 7.7. All the results are 8-bit (256 in decimal) to avoid saturation. Due to the sensor response simulations indicate the ADC counts may reach up to 150 for huge clusters triggered by low energy protons.

7.2.4 The finite state machine_2

The finite state machine_2 is used to do the separation process. It contains 64 identical cells for the 64 columns. As shown in Fig 7.8, each cell only processes the result from its corresponding column. If “Sum_out[7:0]” was not zero, it represents the ADC counts of one cluster. In the current design, the 4-bit output “Partial_speciesN[3:0]” indicates 5 possible cases: 1) no cluster reconstructed; 2) one cluster with ADC counts lower than 8; 3) one cluster with ADC counts higher than 9 but lower than 20; 4) one cluster with ADC counts higher than 21 but lower than 70; 5) a huge cluster with ADC counts higher than 71. They are expected to respectively represent the events of electrons and high energy protons (>50 MeV), protons with energy [30 MeV, 50 MeV], protons with energy [2 MeV, 30 MeV] and protons with energy lower than 2

MeV. These numbers need specific adjustment when COMETH is finally used to build the monitor with shielding or sensor pile-up strategy.

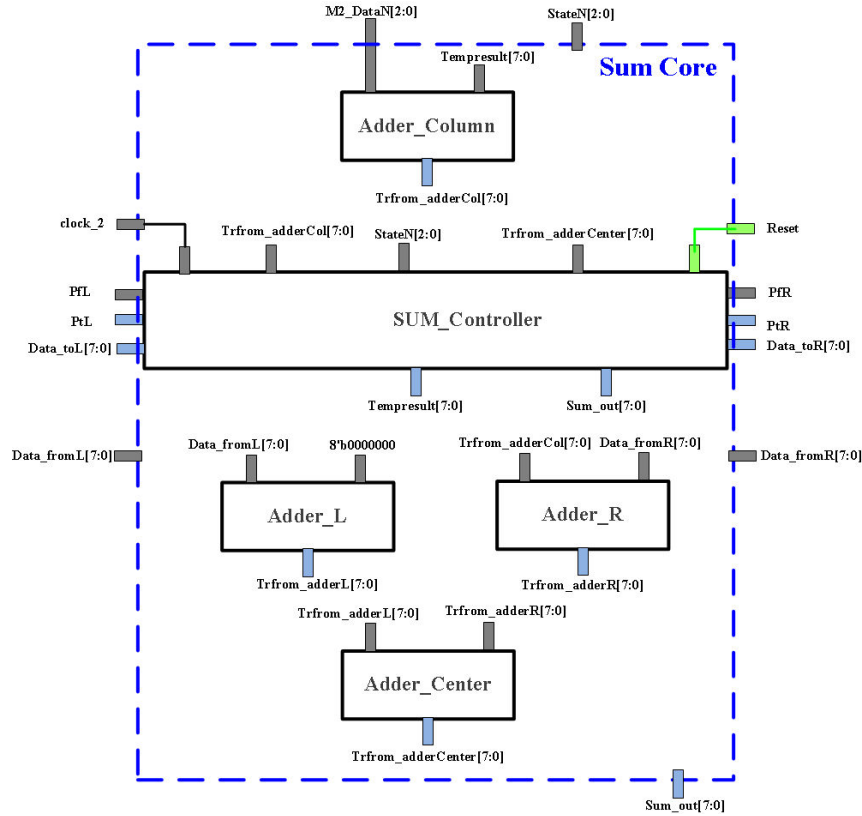


Figure 7.7: Architecture of the "Sum Core".

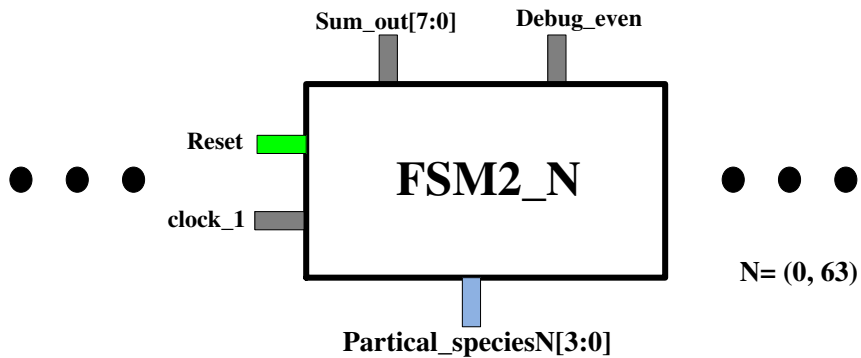


Figure 7.8: basic cell of finite state machine_2.

7.2.5 The Counter and final output

The counter part is used to count the event number of the cases determined by the finite state machine_2. It contains 4 identical cells for the 4 pre-defined cases as shown in Fig. 7.9. Each cell contains a counter and a 5-bit accumulator which could maximally record 31 events. The bits of the accumulator are decided by the readout data rate. In current design, the final data is assumed

to be readout and reset frame by frame. In the flux up to 10^7 particles/cm²/s environment, averagely 15 particles may hit the sensor every frame.

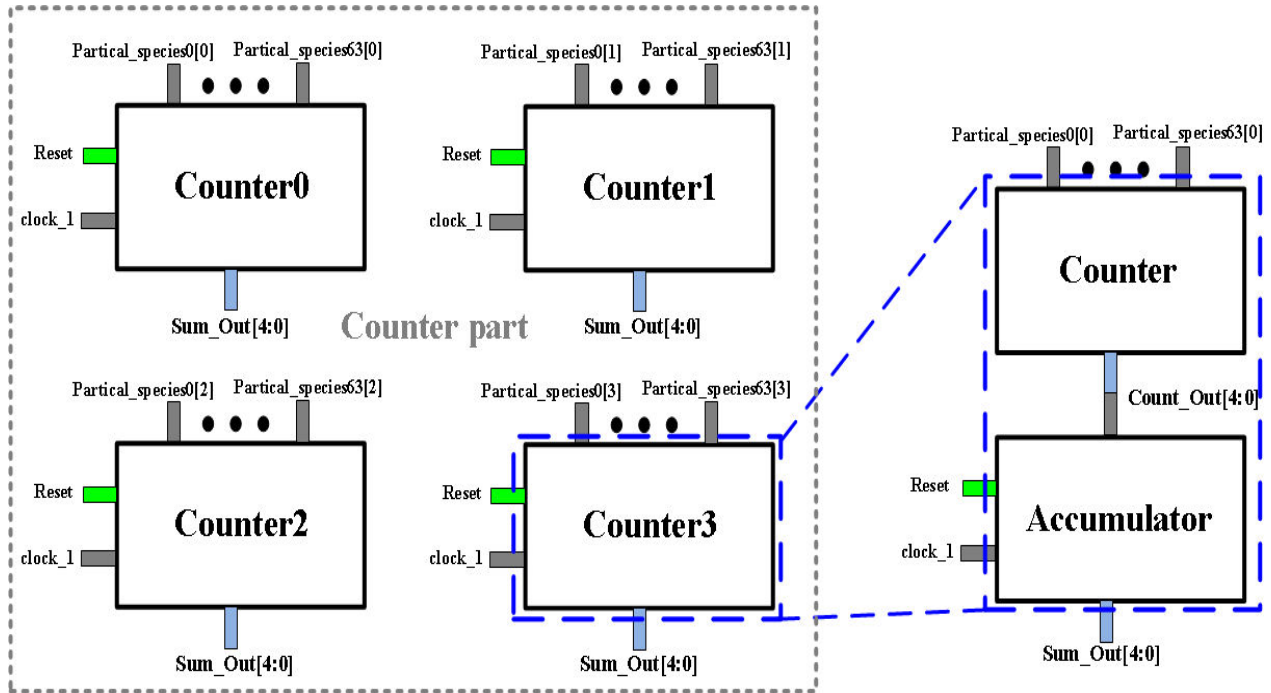


Figure 7.9: the interface of the counter.

The final outputs are parallel readout by 4 channels; the 5-bit data of each channel is serially readout through a shifter register controlled by Clock3 (325.5 kHz). Therefore the readout data rate of COMETH in this frame by frame readout mode is 1.3 Mbps. Compared to its upstream ADCs outputs, the data transmission sparsification factor is 0.12%.

1.3 Mbps is still not insignificant for the satellite data transmission. This rate could be further reduced by increasing the readout period and the capacity of memory. For instance, if the result was readout every second, there would require a 20-bit memory for each channel to handle maximally higher than 10^6 events per second on COMETH (corresponding to a flux density $>10^7$ particles/cm²/s). The output data rate of COMETH could be reduced to only 80 bps.

7.2.6 Layout and estimated power dissipation

All the introduced functional cells of this digital processing stage were described using Verilog which is one of the hardware description languages; and its physical layout (Fig. 7.10) was synthesized to the 0.35 μ m CMOS process. The final physical size of this stage is 3.2×1.2 mm².

The power dissipation of this stage is estimated by using the tools of Cadence Encounter Power System (EPS), the estimated power dissipation of each functional cell and the whole digital processing stage are listed in table 7.1. The total stage dissipates 56.7 mW power (with 3.3 V power supply).

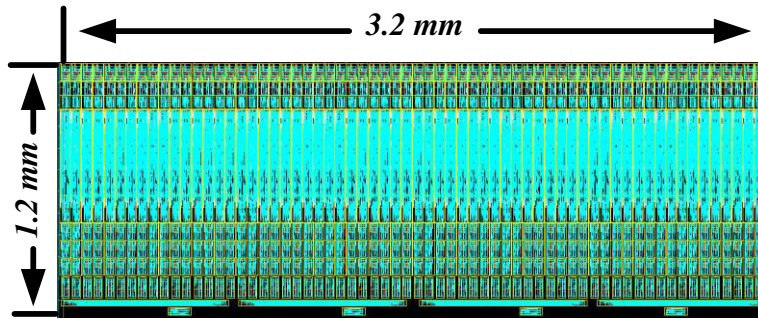


Figure 7.10: Physical layout of the digital processing stage.

Table 7.1: Estimated power dissipation of each functional cell and the whole digital processing stage.

Power supply: 3.3 V	Functional cell	mW
Total of a single column: 0.87252 mW	Memory_temp	0.068
	FSM1_N	0.03351
	Adder_Column	0.09566
	Adder×3	0.1445
	SUM_Controller	0.4736
	FSM2_N	0.05725
Total of counting and output: 0.87397 mW	The counter and final output part	0.87397
Total of the digital processing stage: $0.87252 \times 64 + 0.87397 \approx 56.7$ mW		

7.3 Reconstruction performances

The full simulation of the layout against many inputs has checked its performances. Results show all the normal convex clusters could be reconstructed correctly. However in real operation, concave clusters may also appear which are caused by unexpected un-fired pixels. Some examples are displayed in Fig. 7.11. Each square with a centered “1” represents a fired pixel and “0” represents an un-fired pixel. The red color un-fired pixels in the examples are expected to be fired; they are referred to as “dead” pixels in this context for a simple expression.

The reasons caused these “dead” pixels exist at the charge collection phase and each stage of signal processing. During the charge collection phase, the amount of charges collected by a sensing diode mainly related to its distance to the charges generated position. There are still some fluctuations because the charge thermal diffusion inside the sensitive layer is a random process. A “dead” pixel between two fired pixels may appear when its collected signal is a little bit lower than the ADC threshold.

The gain of the in-pixel pre-amplifier also has some fluctuations from pixel to pixel, due to the realistic variations in the process and fluctuation of bias voltages to each pixel. If a signal closed

to the “threshold” was insufficiently amplified in the pixel, it would be determined as “0” in the downstream ADC stage.

Beside the charge collection and pre-amplifier gain fluctuations, the FPN between ADC columns is another reason lead to these “dead” pixels. The same pixel signal analogue value in different columns may be determined as different digital values. The methods and technologies used to minimize the the un-uniformity of pixels and columns ADCs have been discussed in previous chapters. This section will focus on the discussion of the reconstruct performances of the digital processing stage for these tricky clusters caused by “dead” pixels.

These tricky clusters could be simply classified by the “dead” pixel numbers and positions. Because of their extremely small opportunities, the events of more than three adjacent “dead” pixels are not discussed.

7.3.1 Tricky cluster cases could be reconstructed correctly

Simulations results show the embedded algorithm could handle a single “dead” pixel in a cluster no matter where it is, and most of the cases for two “dead” pixels. These cases are listed below by the “dead” pixels positions relative to the cluster.

1. “Dead” pixels in the middle of the cluster first row

All the cluster cases with “dead” pixels in the first row could be reconstructed correctly no matter these “dead” pixels are divided or adjacent.

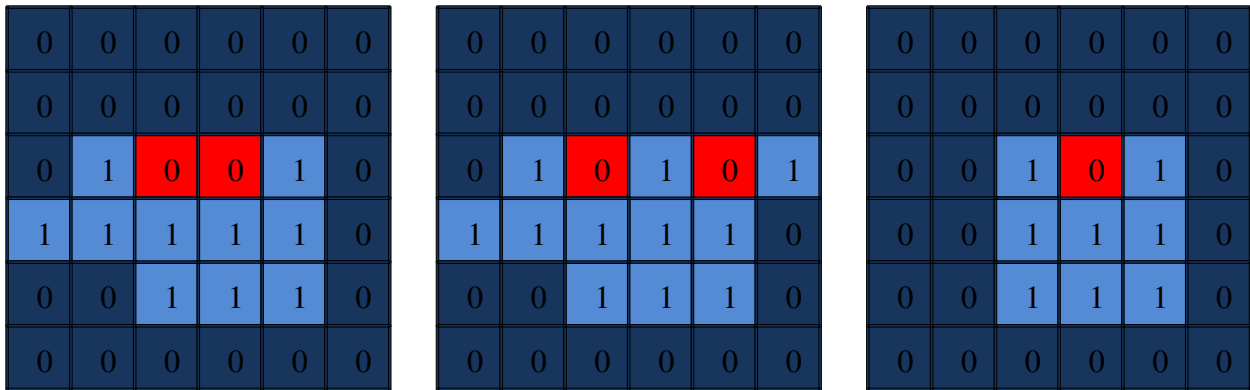


Figure 7.11: Examples of “dead” pixels in the middle of the cluster first row.

2. “Dead” pixels in the middle of the cluster edge columns

All the cluster cases with “dead” pixels in the middle of the edge columns could be reconstructed correctly no matter these “dead” pixels are divided or adjacent.

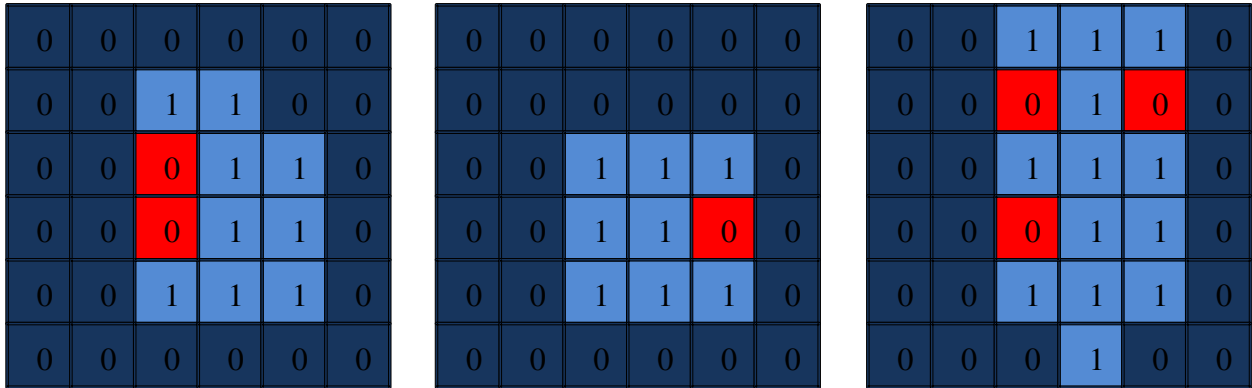


Figure 7.12: Examples of “dead” pixels in the middle of the cluster edge columns.

3. “Dead” pixels in the center or last row of a cluster

Not all the cases of “dead” pixels in the center or last row of a cluster could be reconstructed correctly. The cases could be handled are shown in Fig. 7.13: single or two divided “dead” pixels.

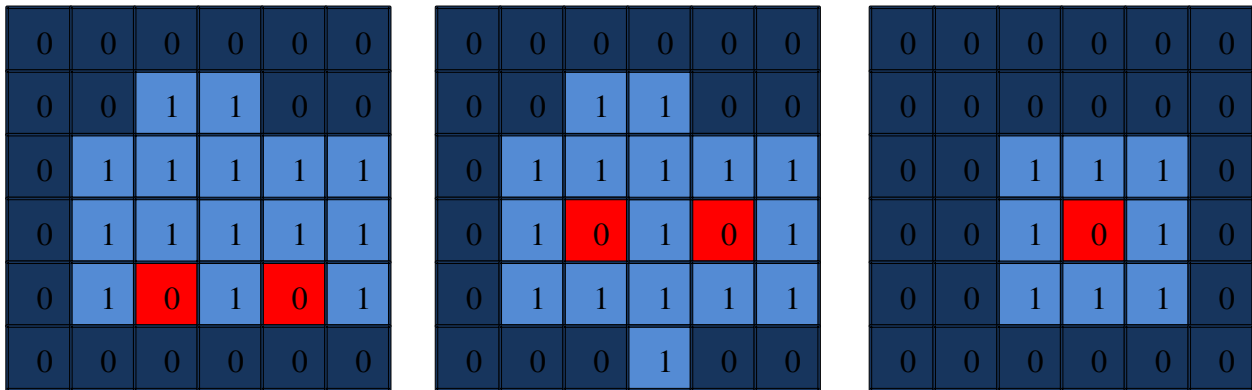


Figure 7.13: Examples of “dead” pixels in the center or last row of a cluster.

4. Some other two adjacent “Dead” pixels cases

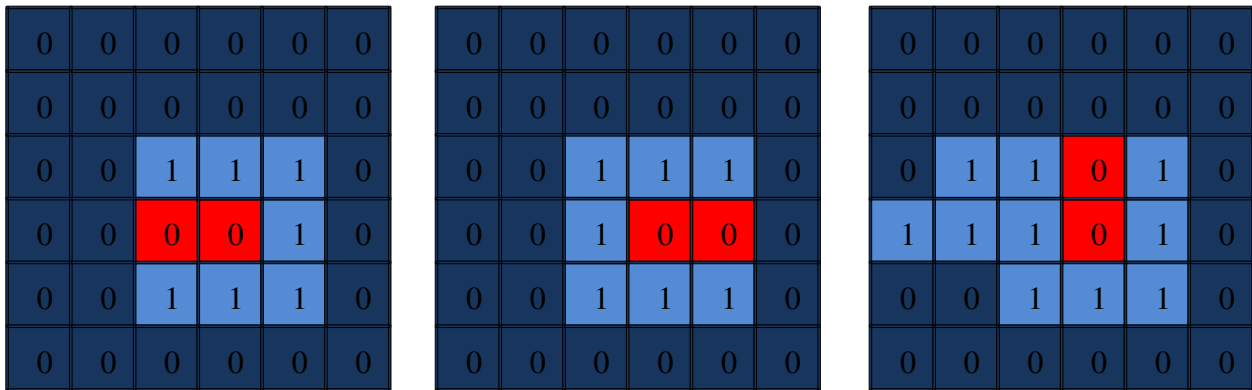


Figure 7.14: Examples of some two adjacent “Dead” pixels cases.

For these two adjacent “dead” pixels cases, if one of the two “dead” pixels is located at the edge columns or the first row of the cluster, they could be reconstructed correctly.

7.3.2 Tricky cluster cases which lead to reconstruction failures

Reconstruction failure only occurs for some cases of two adjacent “dead” pixels, which leads to the reconstruction of single impact as several events.

1. Two adjacent “dead” pixels in the center of a cluster

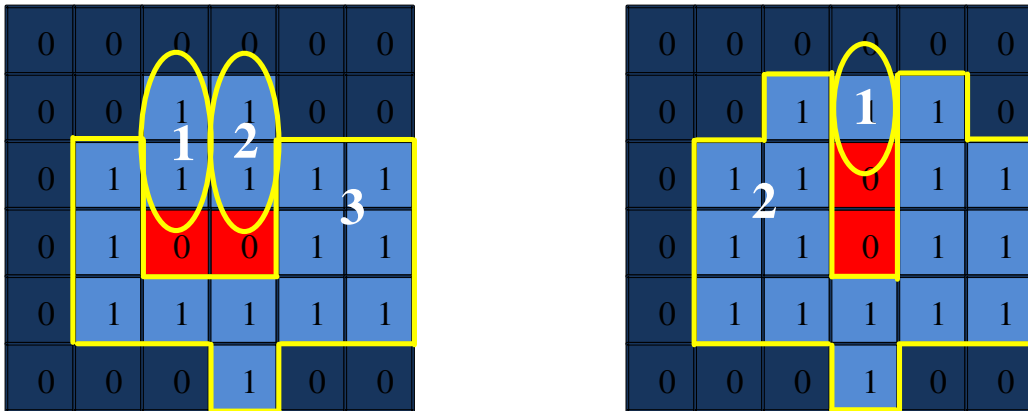


Figure 7.15: Reconstruction failure examples of two adjacent “dead” pixels in the center of a cluster.

Fig. 7.15 displays two reconstruction failure examples of two adjacent “dead” pixels in the center of a cluster. The single impact of the two cases will be reconstructed as 3 and 2 events respectively. Due to the center pixels in a large cluster always collect much more charges than the pixels in the edge, these cases theoretically can not happen unless the column ADCs FPN is extremely large (several LSB peak to peak value).

2. One of the two adjacent “dead” pixels in the middle of the last row of a cluster

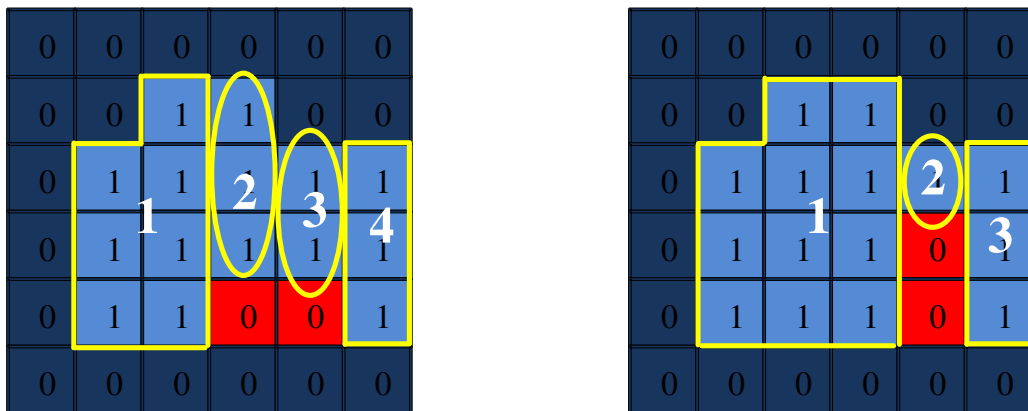


Figure 7.16: Reconstruction failure examples of two adjacent “dead” pixels.

The cases that one of two adjacent “dead” pixels is located in the middle of the last row of a cluster also lead to reconstruction failures. The two single impact examples displayed in Fig. 7.16 would be reconstructed as 4 and 3 events respectively.

7.3.3 Performances for clusters merging

Clusters merging may also lead to reconstruction failure. The cases similar with Fig. 7.17 (a), two clusters connecting through the vertex angle of their edge pixels, could be reconstructed correctly as two events. However, the cases similar with Fig 7.17 (b), two clusters connecting through one side of their edge pixels, would be reconstructed as one event.

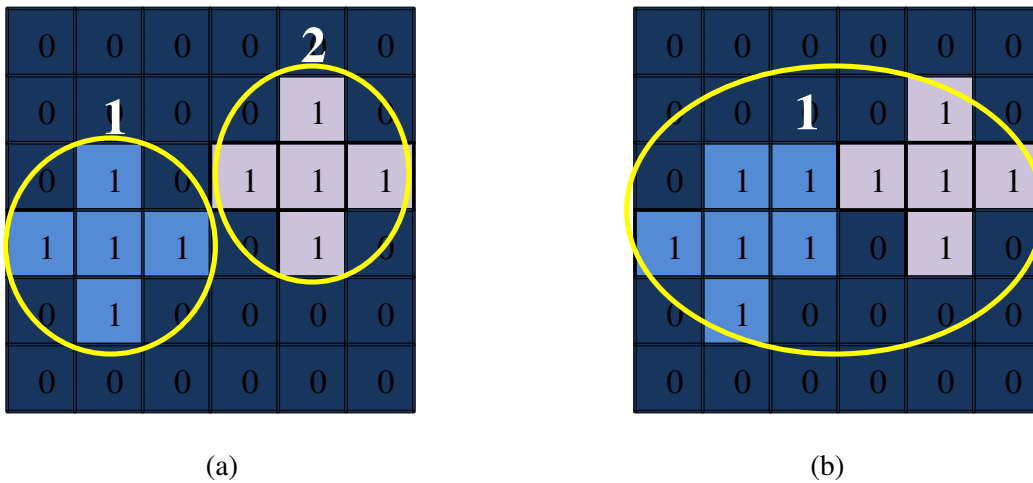


Figure 7.17: Reconstruction examples of two cluster merging.

7.4 Conclusions

The reconstruction algorithm with functionalities include: clustering of adjacent pixels, summation of their digitized signal and decision to increment the specific counter corresponding to a given energy range and species, has been realized in the silicon with the same 0.35 μm process of its upstream charge collection and signal processing stages. The corresponding microcircuits occupy a 1.2x3.2 mm^2 layout size, and dissipate 56.7 mW power (with 3.3 V power supply) according to the simulation estimate. A full simulation of the layout against many inputs has checked its performances. The test validates its ability to reconstruct most of cluster cases. Failure only occurs in the presence of several adjacent dead pixels in particular positions, which leads to the reconstruction of single impact as several events. Its output can be read at a low frequency (Hertz range) to extract the information from the sensor with a low bandwidth usually required for small satellites.

Bibliography

- [1] F. Ananasso, F. Delli Pricoli. *The Role of Satellites in Personal Communications Services*. IEEE Journal on Selected Areas in Communications. V 13, N 2, pp. 180-195, 1995.
- [2] Bruce R. Elbert. *The satellite communication applications handbook*. 1997 Artech House, Inc, MA.
- [3] W. Shaojun, et al. *Design of Data transmission speed for small high resolution satellite*. International conference on Transportation, Mechanical, and Electrical Engineering. 2011.
- [4] H. Helvajian, S.W. Janson. *Small Satellites: Past, Present, and Future*. The Aerospace Press, October 30, 2009
- [5] Sandau, R., *International study on Cost-Effective Earth Observation Missions*. Taylor & Francis, London/Leiden/New York/Philadelphia/Singapore, 2006.

General conclusions

The objective of this thesis is to design and develop a sensor for space ionising radiation monitor which provides measurements of comparable or better quality than existing instruments, but at around an order of magnitude lower power consumption, mass and volume and a lower unit cost.

According to current NASA models, the earth orbit environment is populated by a great variety of energetic charged particles which are dominated by protons and electrons. Their total omnidirectional fluxes may reach several $10^7 \cdot \text{cm}^{-2} \cdot \text{s}^{-1}$ with energies covering many orders of magnitude (for protons in the range 0.1 - 400 MeV and electrons in the range 0.04 - 7 MeV).

We proposed a new strategy to cope with this high flux mixed particles environment with a single CMOS pixel chip, which is a highly integrated detection system with the ability to count and identify ion species in real-time.

The sensor responses to various particles energies and species were simulated using the response model we build from the results of the state-of-the-art CPS developed by the CMOS research group at IPHC. Simulations indicate the possibility to evaluate the dose deposited by an ionizing radiation in a large energy range (100 keV to few 100 MeV) and to distinguish protons from electrons using their linear energy transfer below an energy of 50 MeV.

A CPS architecture named COMETH was proposed and designed in a 0.35 μm process. It features a sensitive area of about 10 mm^2 which is a 64×64 square pixel matrix with 50 μm pitch size, while the total area comprising the data treatment micro-circuits reaches about 17 mm^2 . COMETH is designed to operate in the rolling-shutter mode reaching a 65,000 frames/s read-out speed; and its total estimated power dissipation is about 100 mW (under 3.3 V power supply).

A single $4.3 \times 4.3 \mu\text{m}^2$ n-well/p-epi sensing diode located in the center of each pixel collects the charges generated in the sensitive layer of the sensor. Still within the pixel, the sensing diode signal goes through a pre-amplification stage and undergoes a Correlated Double Sampling (CDS). Then, outside the sensitive area, column-level ADCs digitize over 3 bits the signals of an entire row. The final digital processing occurs in an embedded algorithm integrated on the chip. It consists in the embedded algorithm, which processes the ADCs digital outputs. Its functionalities include: clustering of adjacent pixels, summation of their digitized signal and decision to

increment the specific counter corresponding to a given energy range and species. Indeed, a memory containing several counters, one per energy and species, forms the final result of the sensor. This memory can then be read at a low frequency (Hertz range) to extract the information from the sensor with a low bandwidth usually required for small satellites.

The previous features result from an optimization conducted with simulated data to guarantee robust flux estimation by species up to 10^7 particles \cdot cm $^{-2}\cdot$ s $^{-1}$. In particular, the sensor response model used, predicted individual pixel charges from a hundred e^- to 4400 e^- ; electron cluster size between 2 to 3 pixels; and low energy protons firing sub-area as large as 9 \times 9 pixels with the cluster size being inversely proportional to the incident energy. The design of the three main signal processing stages was driven by these expectations.

A reduced scale prototype with 32 \times 32 pixels and 32 column ADCs was fabricated and tested to validate the COMETH concept. The pixel matrix was illuminated with three types of radiations: monochromatic X-rays to obtain the charge to voltage conversion factor (CVF) and the charge collection efficiency (CCE); Beta electrons to assess the sensitivity to minimum ionizing particles with the signal over noise ratio (SNR) and the cluster shape; and finally infrared photons from a focalized laser beam to test the pixel response linearity over the relevant signal range and the sensing diode reset and recovery efficiency. The end-column ADCs were tested with external biased voltage replacing the pixel outputs. Their noise performances, transfer function, power dissipation and tunable threshold functionality have been measured.

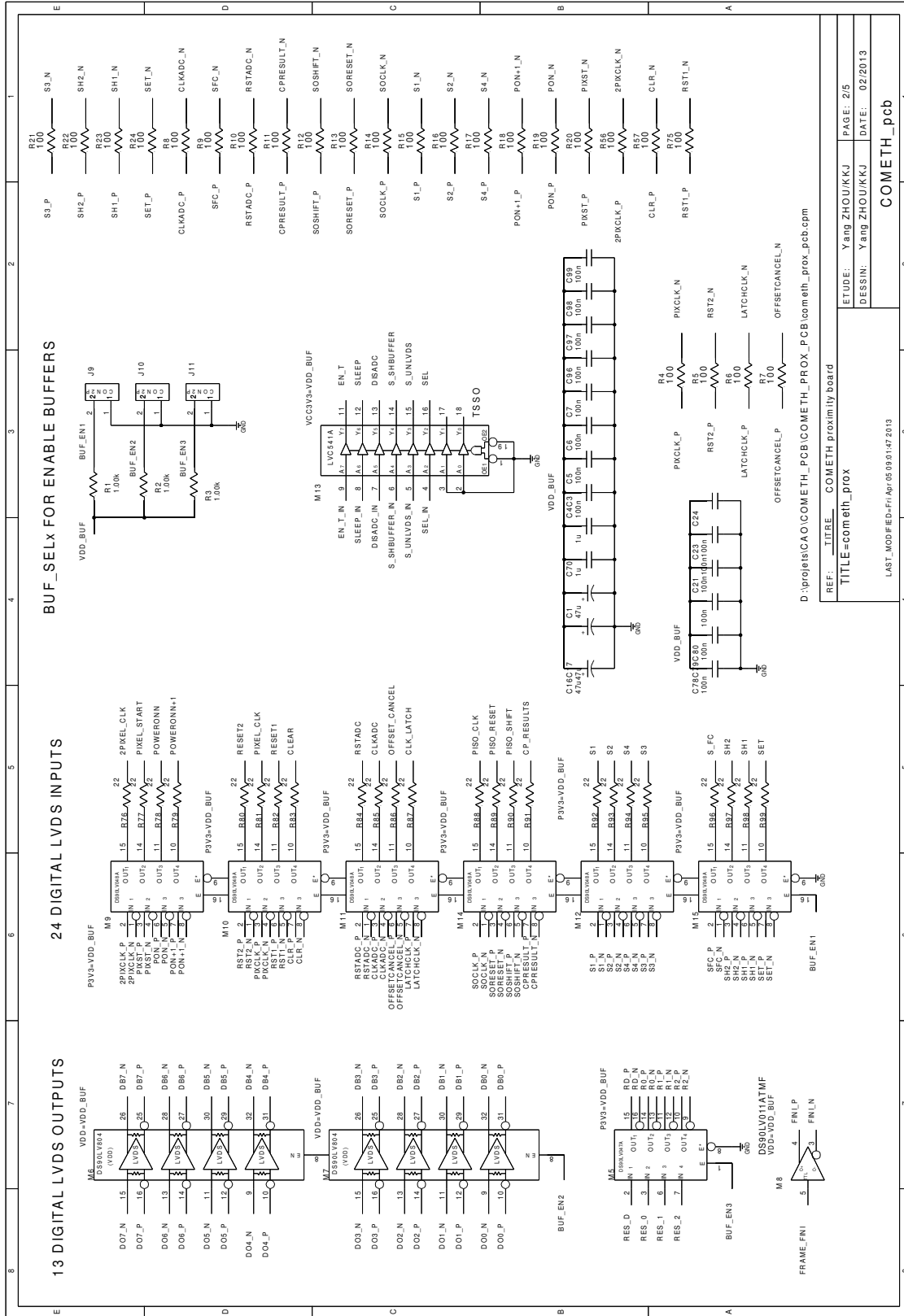
Tests of the pixel matrix corroborate the expectation from previous simulations on the key parameters: charge collection efficiency, detection efficiency for minimum ionizing particles, cluster size of a few pixels, and linearity over the expected signal range. Separate evaluation of the analogue to digital conversion stage over 3 bits was also satisfactory. The embedded digital processing algorithm, which achieves the final flux evaluation online, was also synthesized and validated.

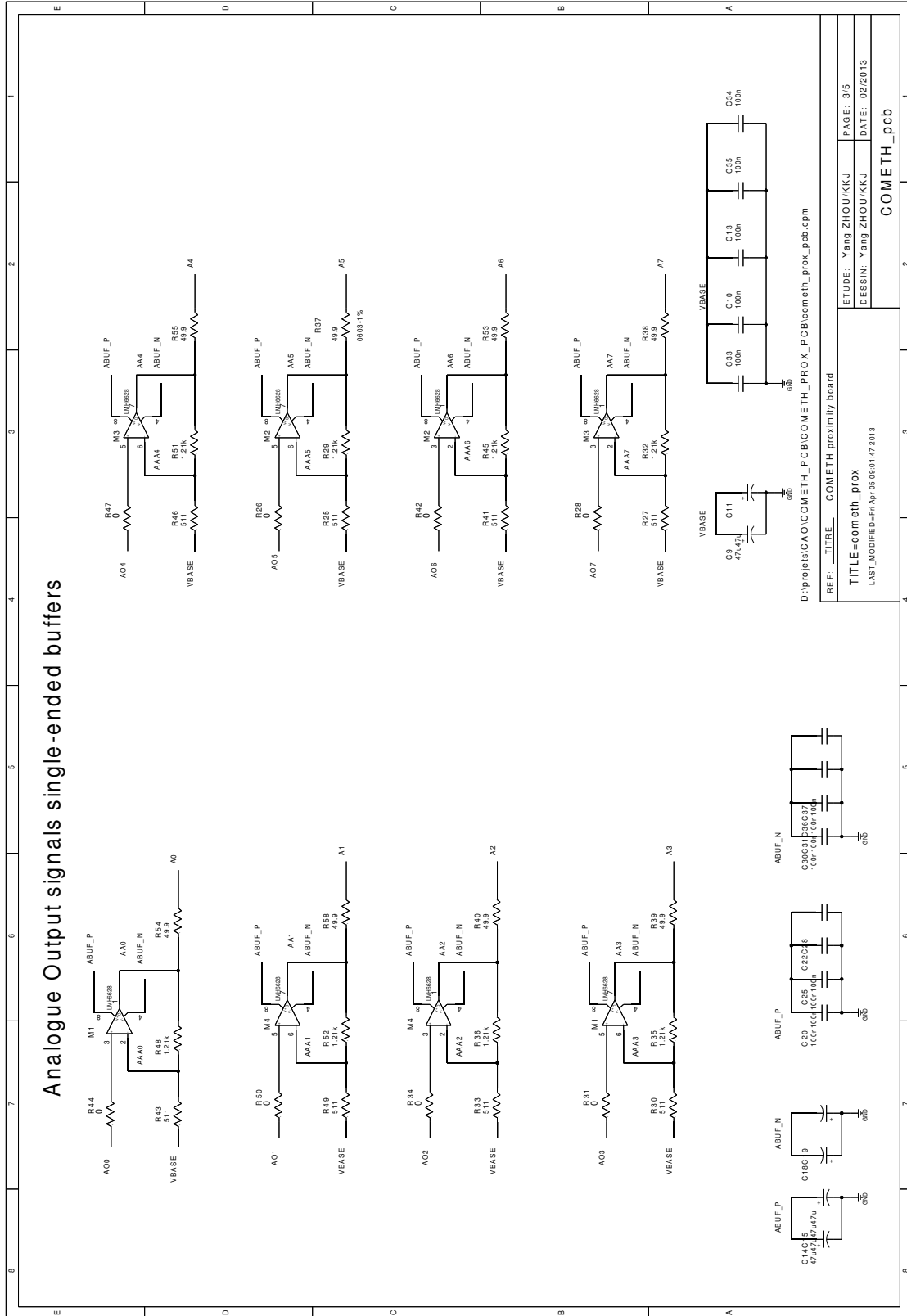
All these elements make us confident that a CMOS radiation counter with very low mass and power can indeed measure high flux up to the 10^7 particles \cdot cm $^{-2}\cdot$ s $^{-1}$ flux, as our previous simulation work indicated.

The steps needed before the possible production of the complete monitor include: measurement of the prototype sensor response to low energy protons; reduction of the pixel noise and of the ADC FPN between columns, and further optimization of the system power dissipation.

Appendix A

Test board schematic for the prototype of COMETH





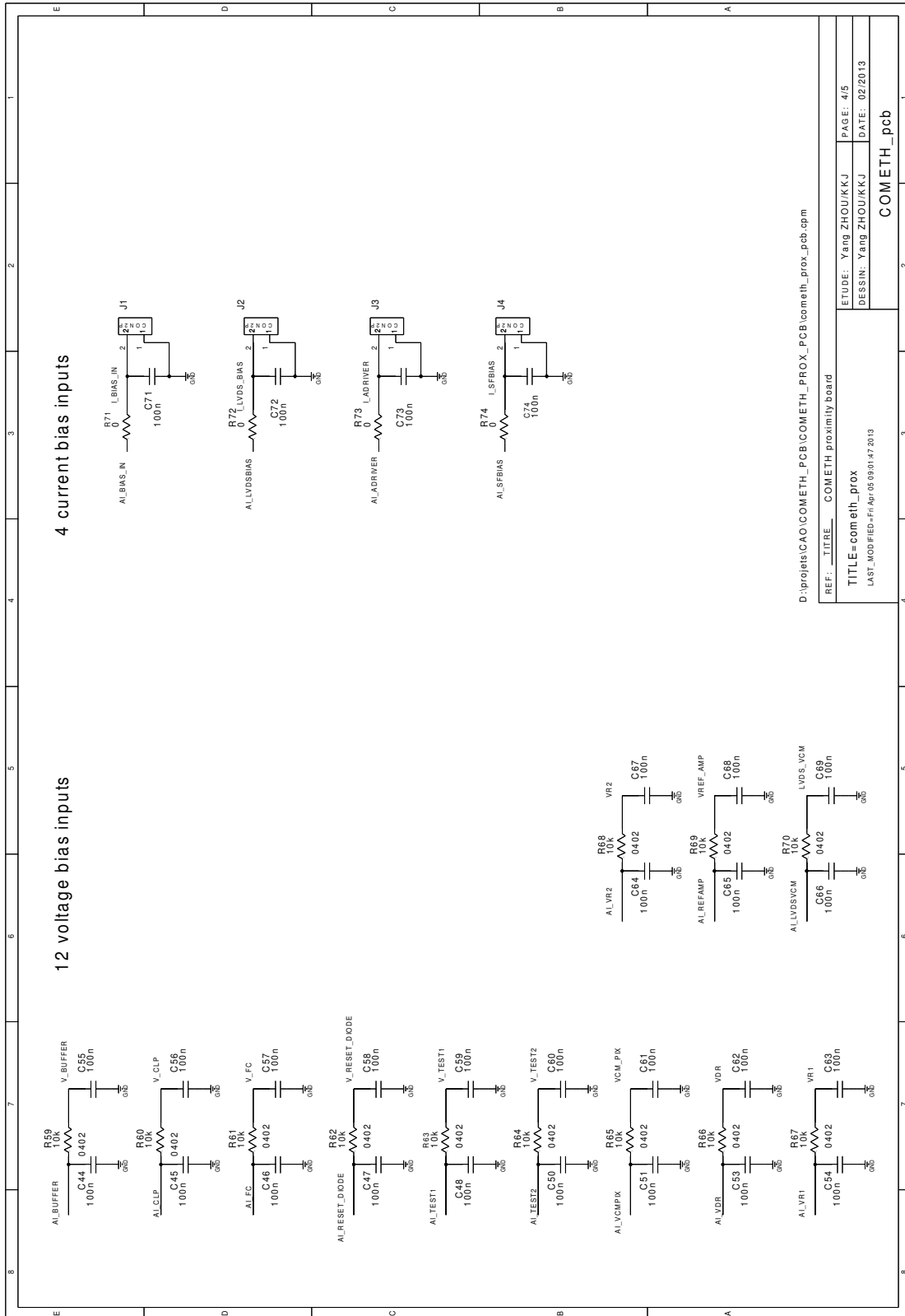
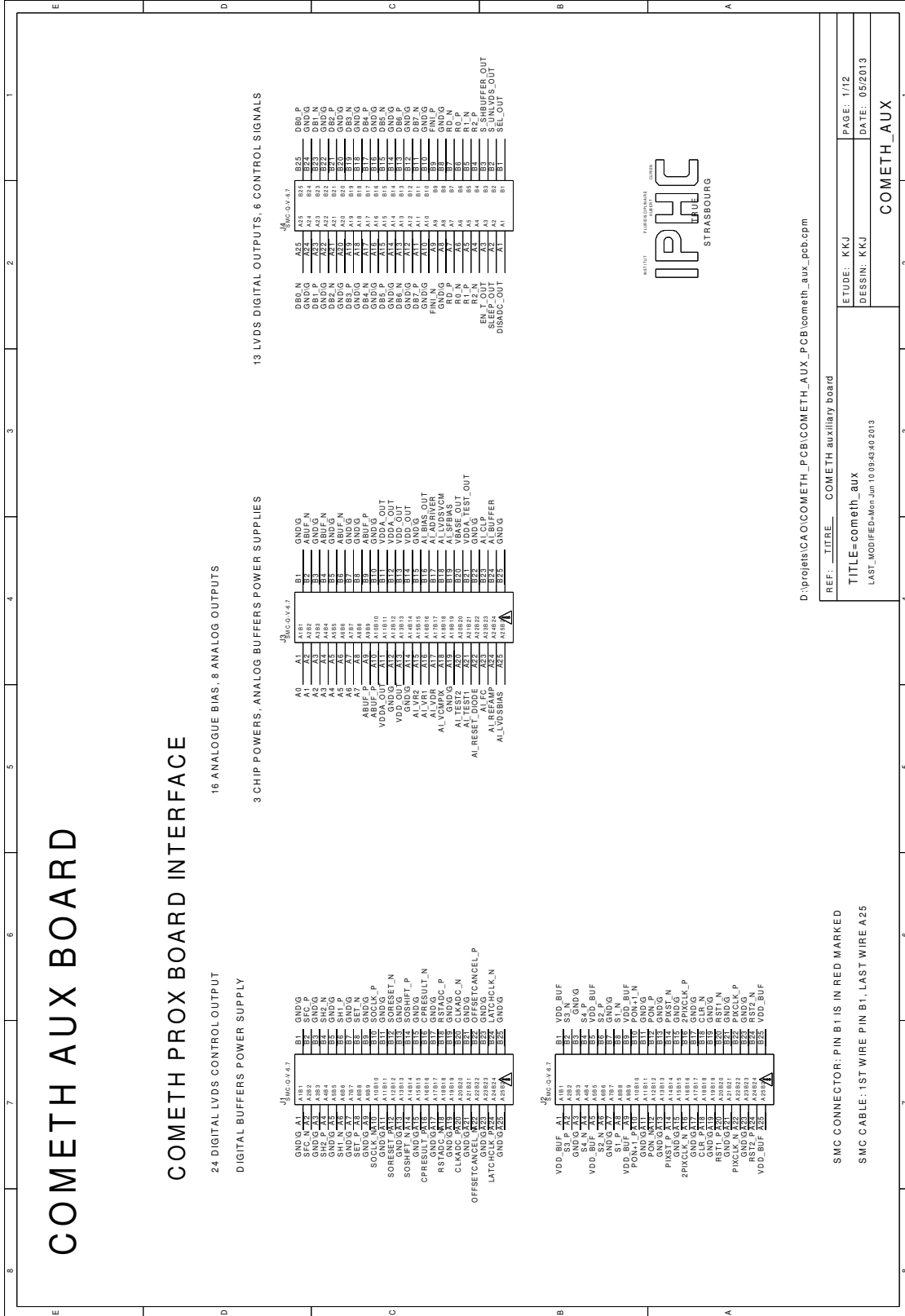
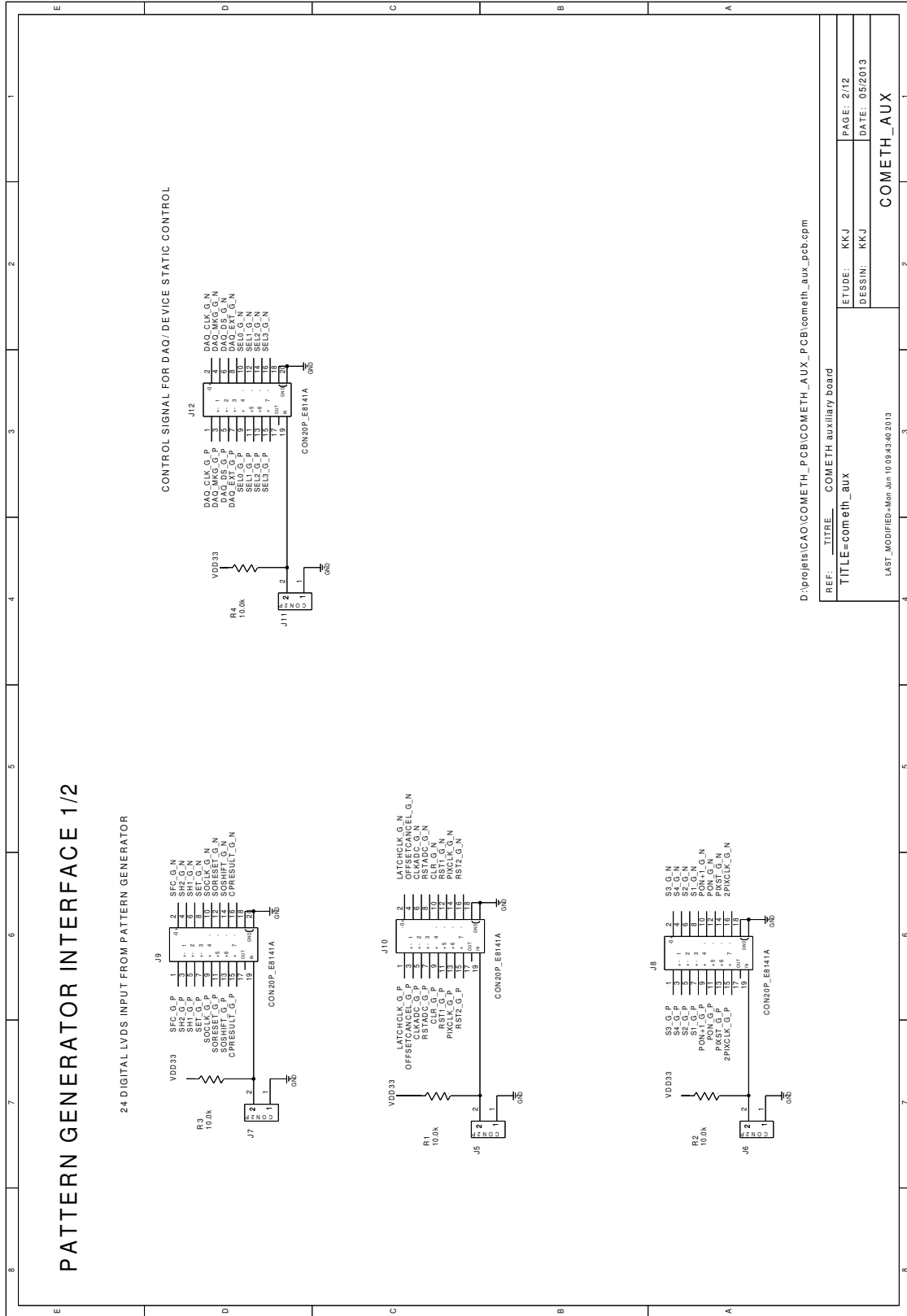
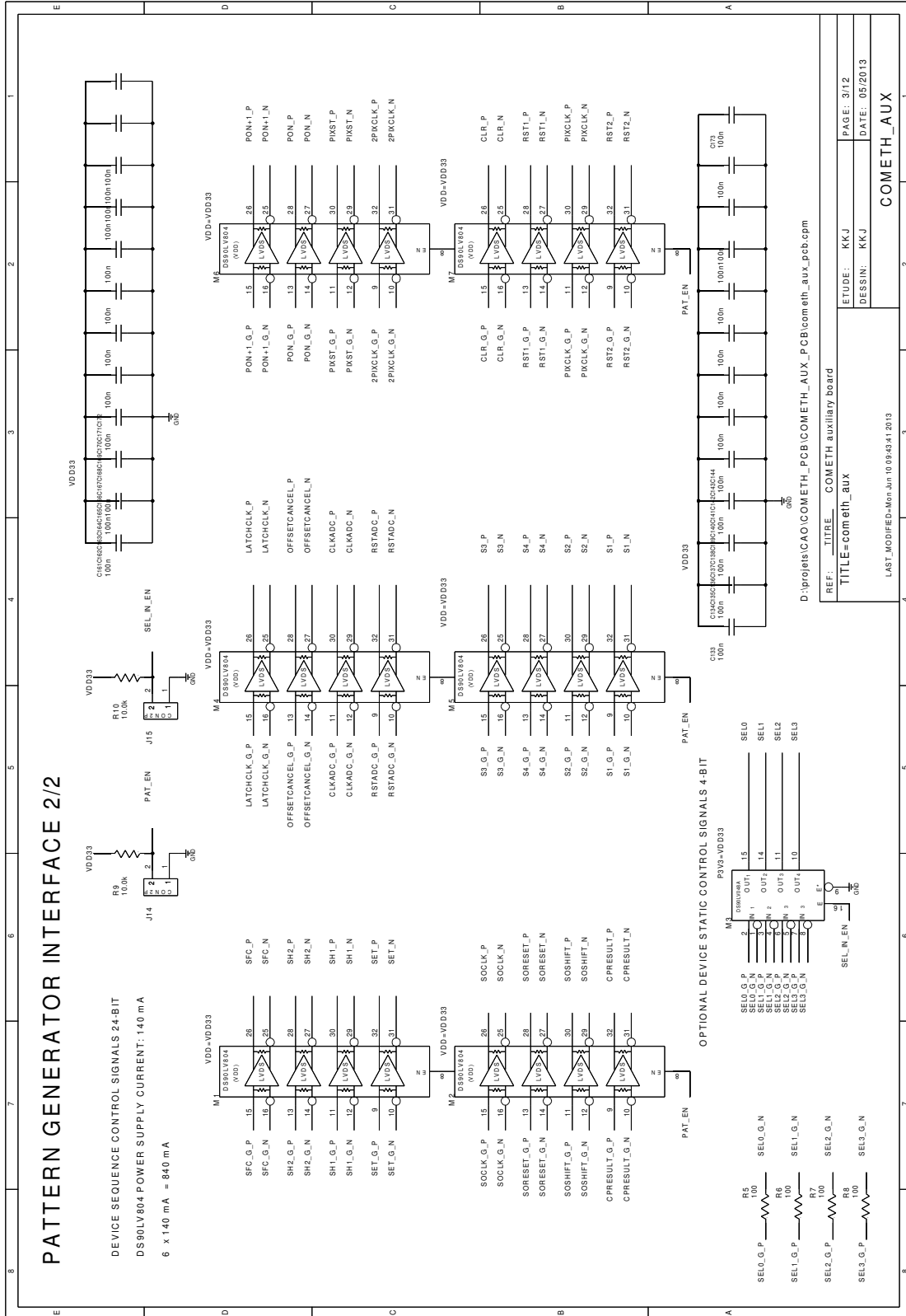
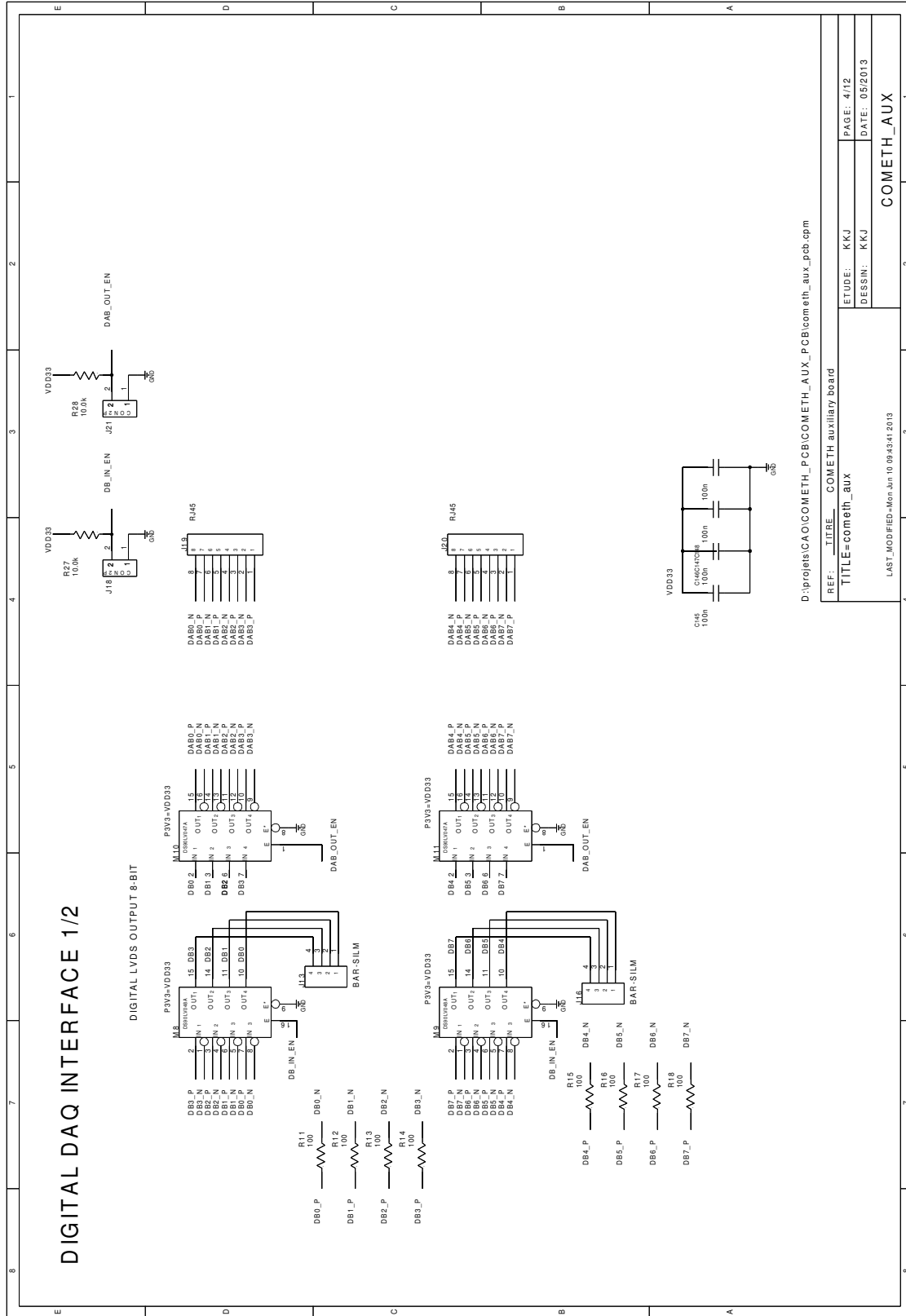


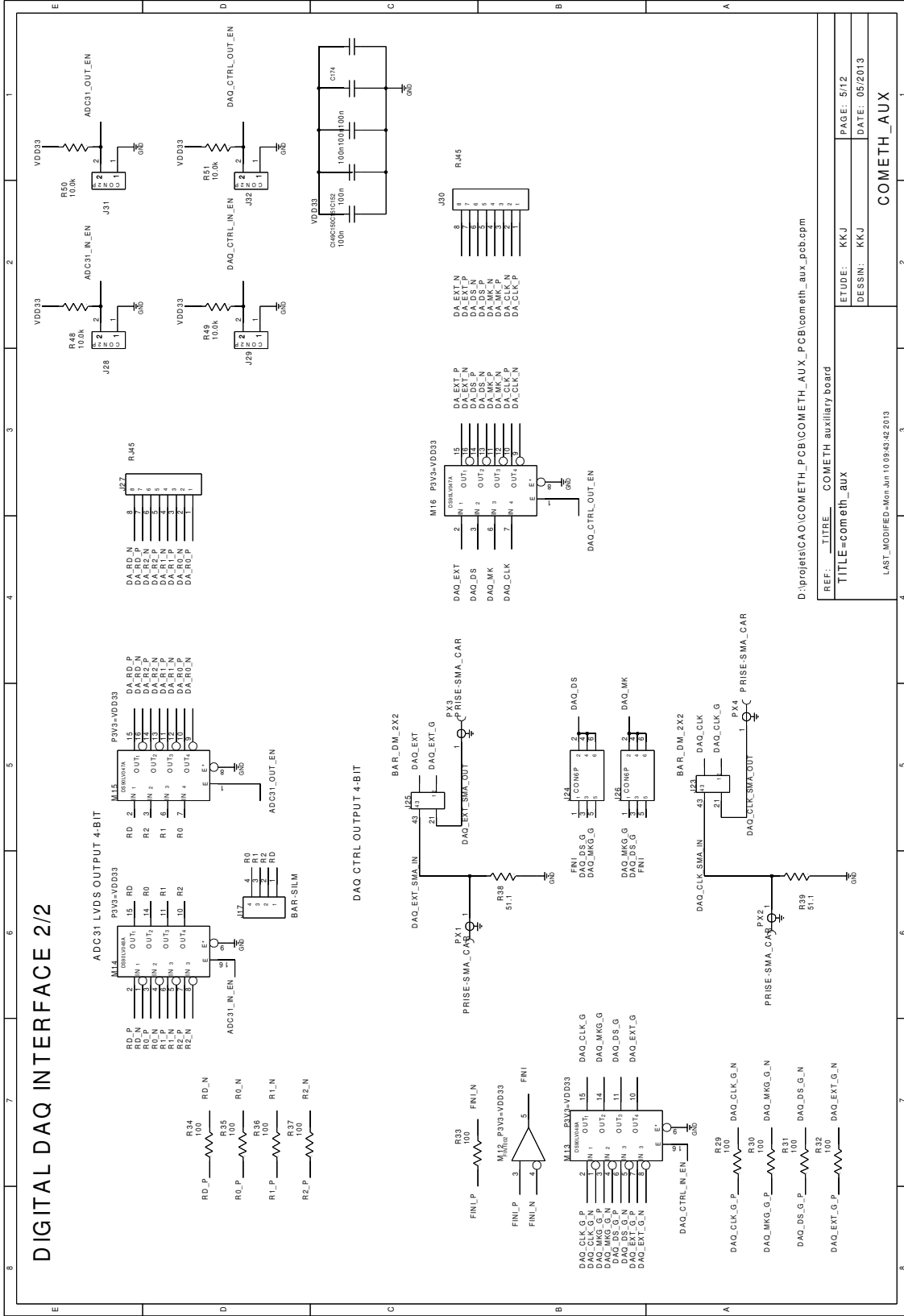
Figure A.1: Schematic of the proximate test board of the prototype of COMETH.











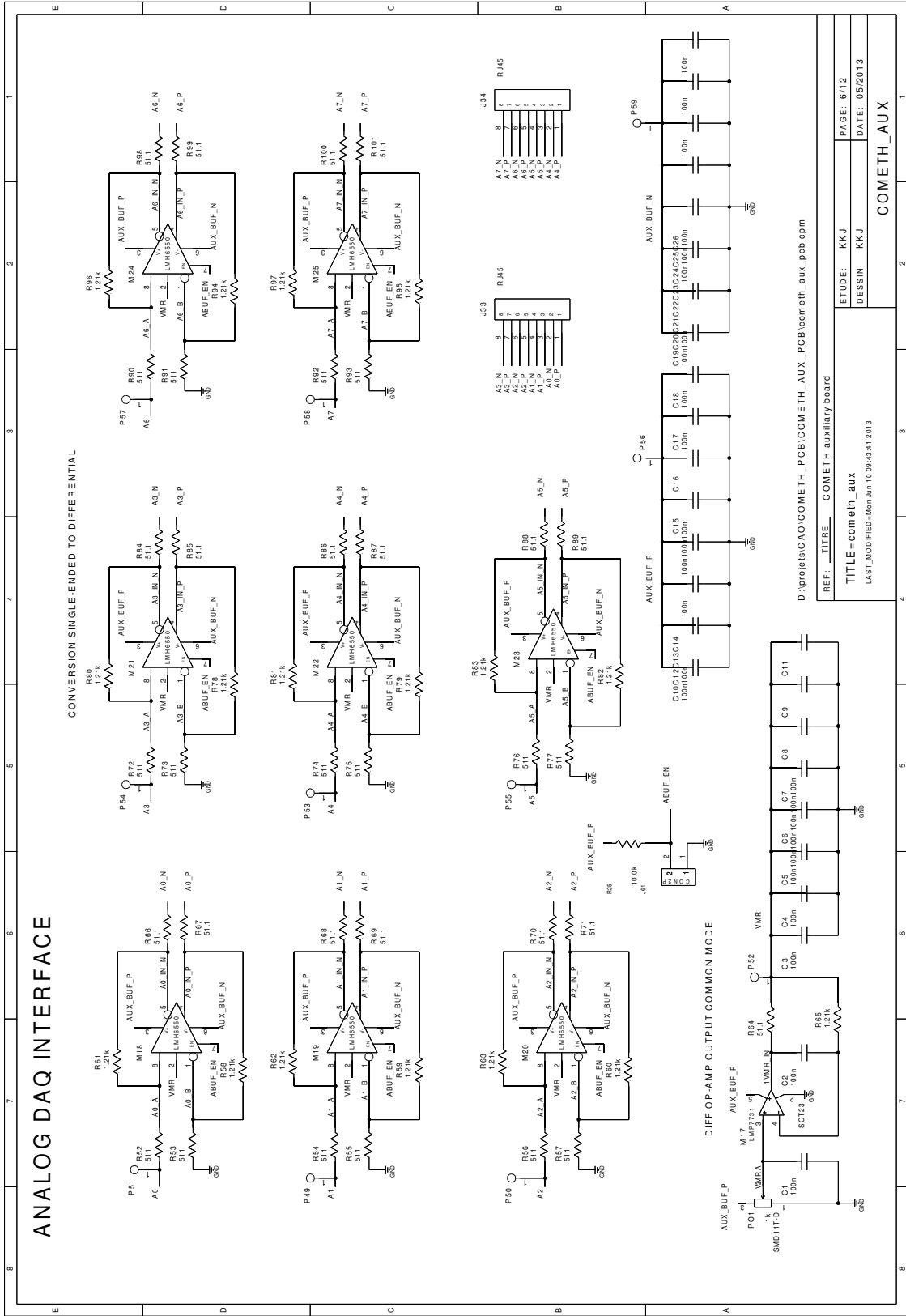
COMETH_AUX

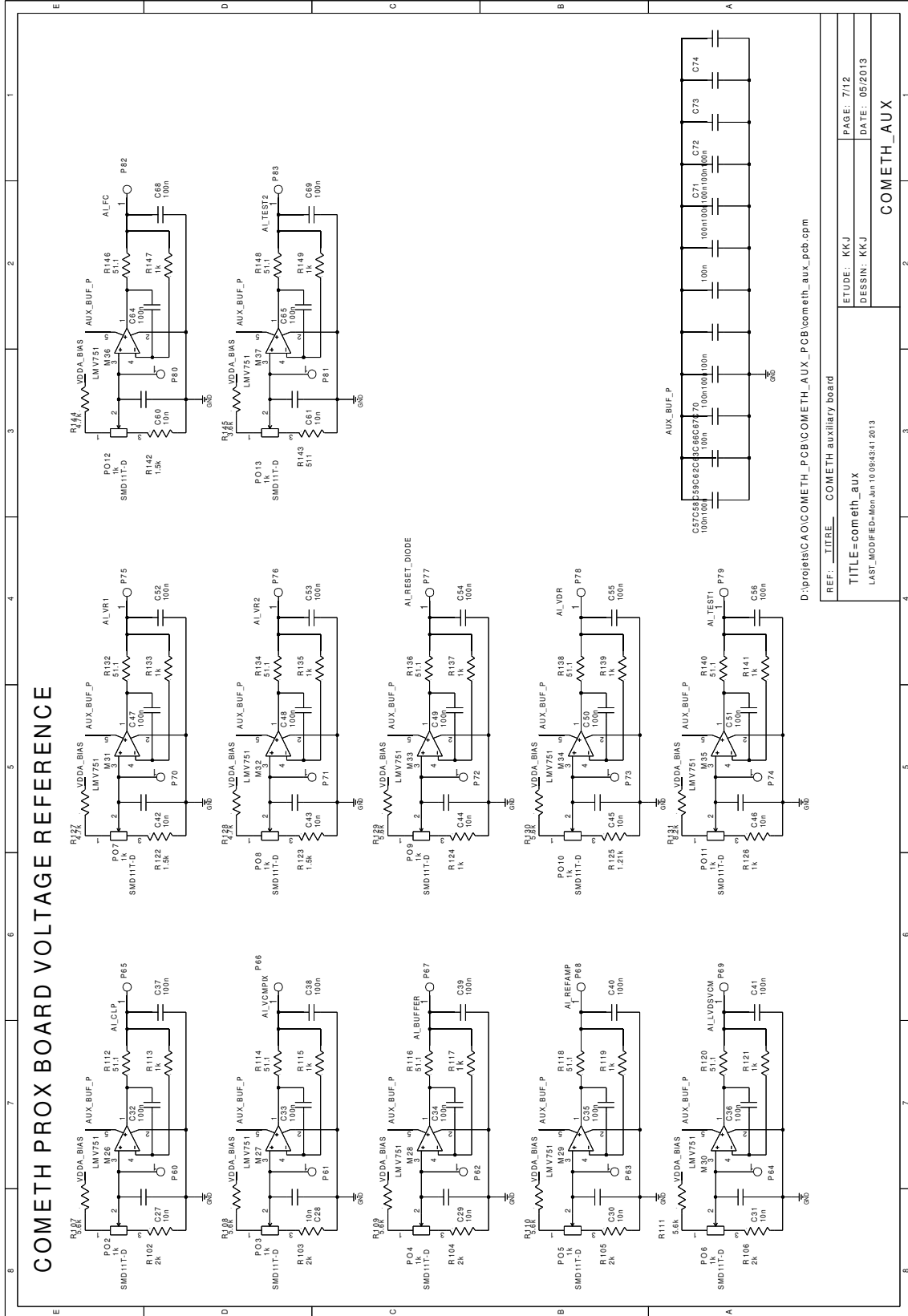
D:\projets\CAO\COMETH_PCB\COMETH_AUX_PCB\cometh_aux_pcb.cpm

REF: TITLE: COMETH auxiliary board
 ETUDE: KKJ
 DESSIN: KKJ

PAGE: 5/12
 DATE: 05/2013

LAST_MODIFIED=Mon Jun 10 09:49:42 2013

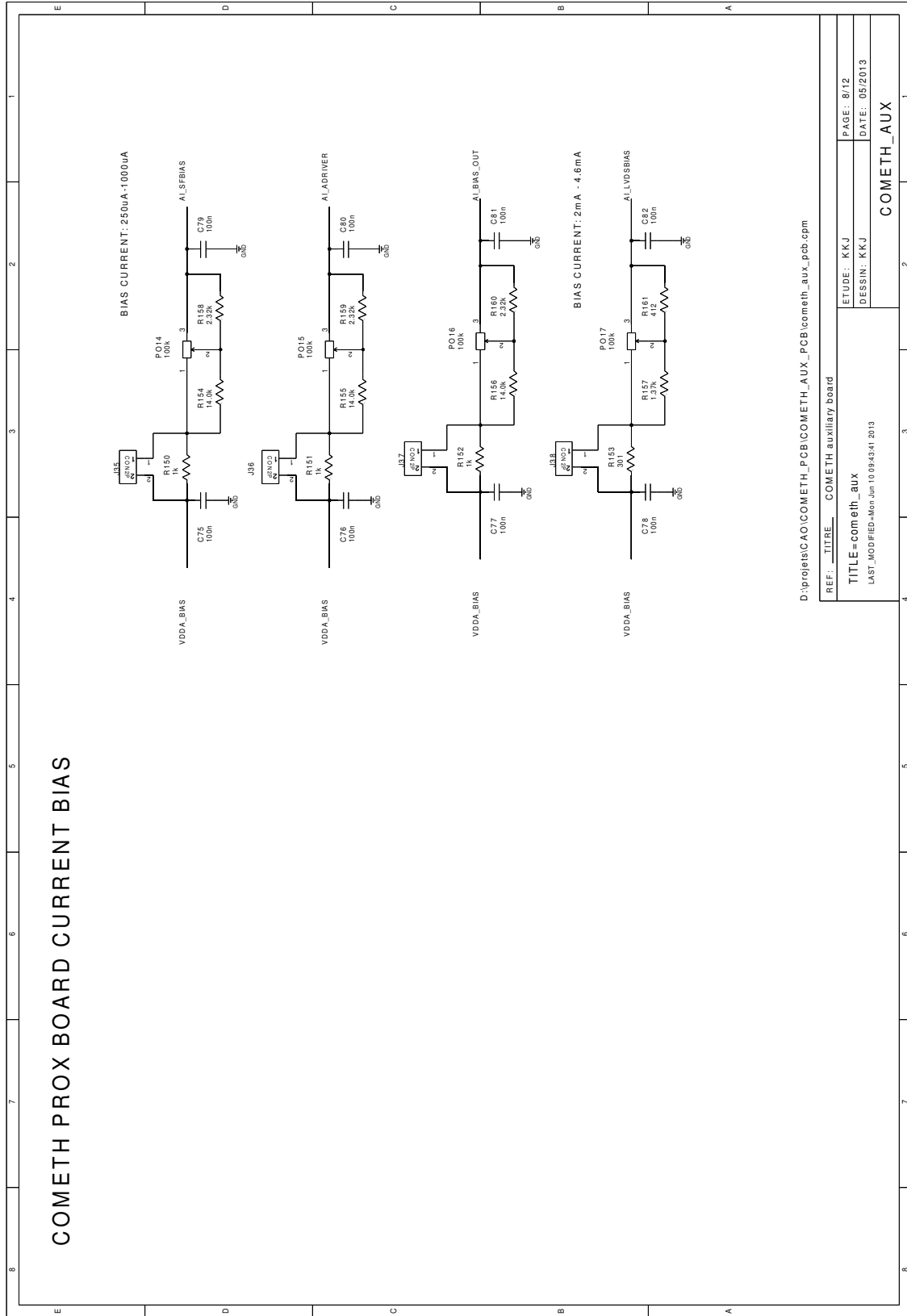


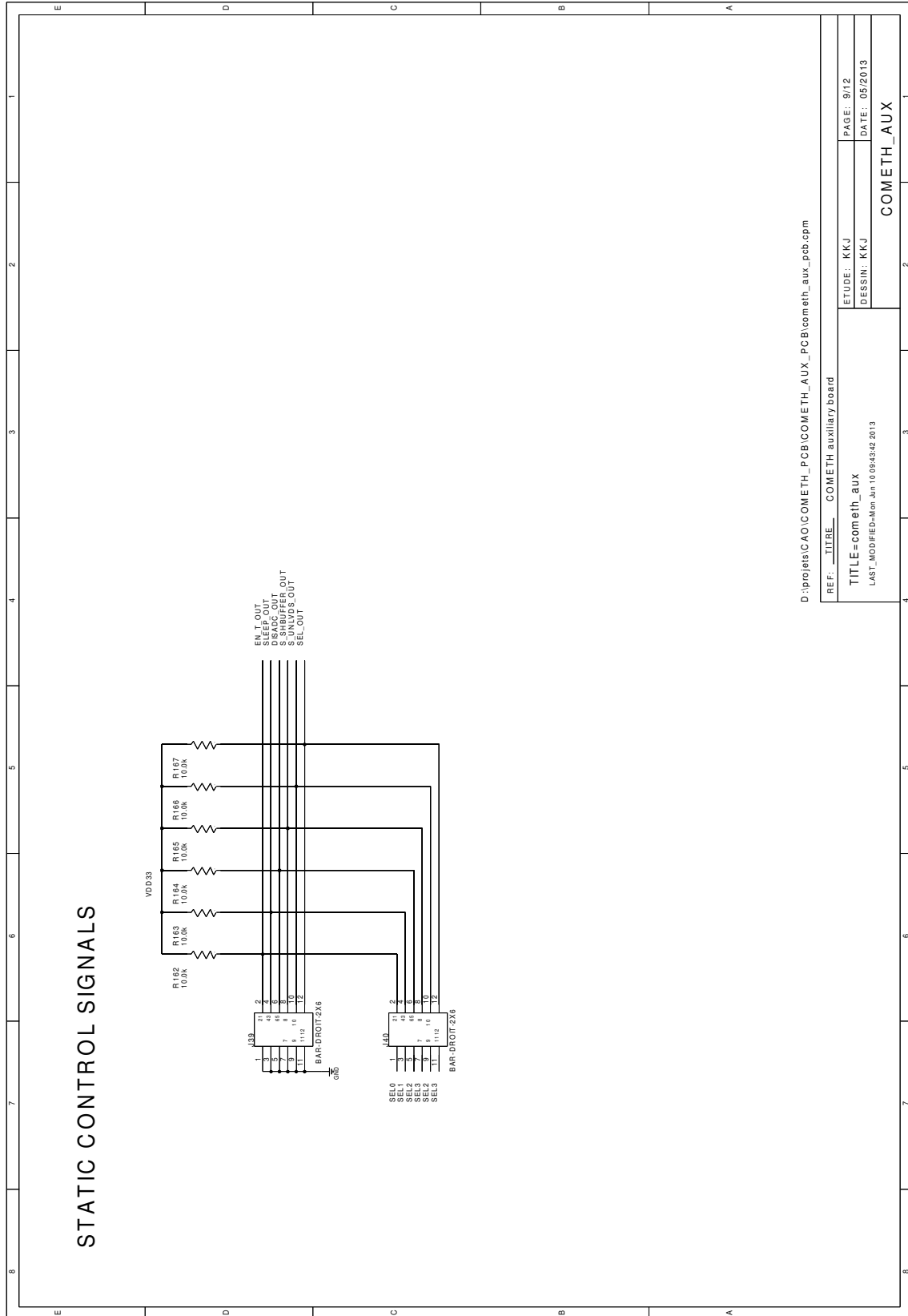


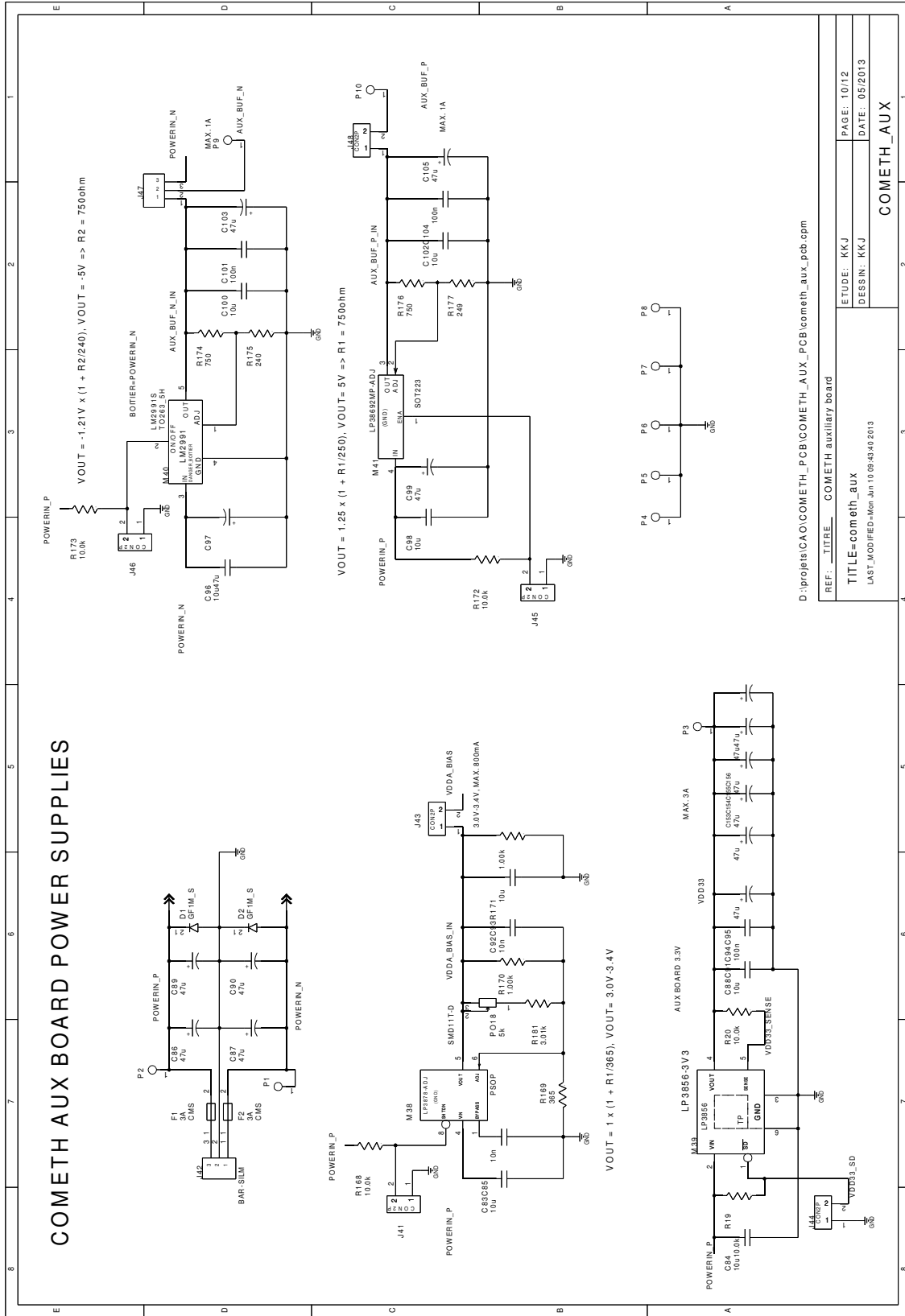
D:\projets\CAO\COMETH_PCB\COMETH_AUX_PCB\cometh_aux_pcb.cpm

REF: TITRE	COMETH auxiliary board
TITLE	cometh_aux
LAST_MOD	FED-Mon Jun 10 09:43:1 2013
ETUDE:	KKJ
DESSIN:	KKJ
PAGE:	7/12
DATE:	05/2013

COMETH_AUX







D:\projets\CAO\COMETH_PCB\COMETH_AUX_PCB\cometh_aux_pcb.cpm
 REF: _TITRE_ COMETH auxiliary board
 TITLE=cometh_aux
 LAST_MODIFIED=Mon Jun 10 09:43:50 2013
 ETUDE: KKJ
 DESSIN: KKJ
 PAGE: 10/12
 DATE: 05/2013
COMETH_AUX

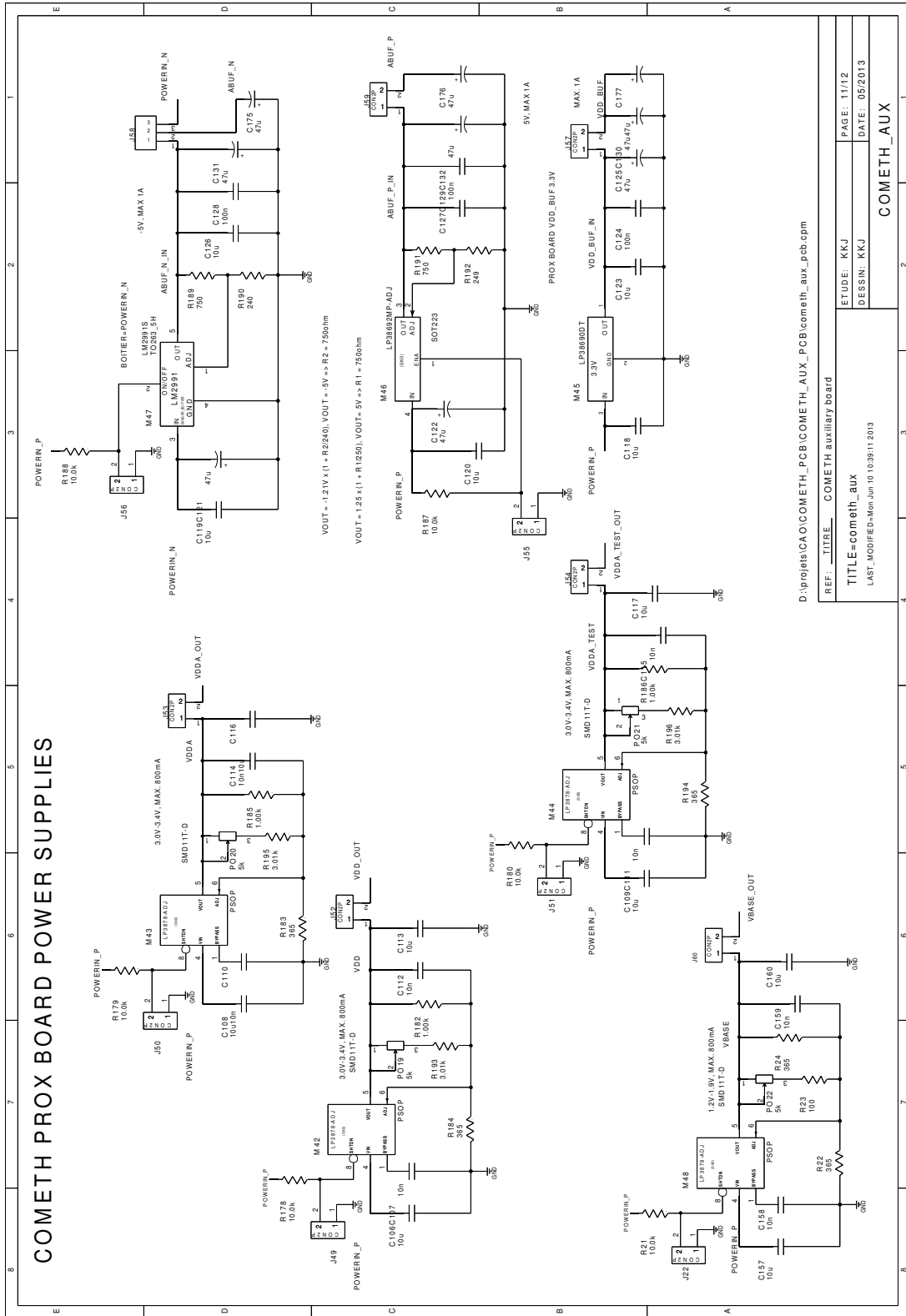


Figure A.2: Schematic of the auxiliary test board of the prototype of COMETH.

Publications:

1. **Y. Zhou**, J. Baudot, Ch. Hu-Guo, Y. Hu, K. Jaaskelainen and M. Winter. *COMETH: a CMOS pixel sensor for highly miniaturized High-flux radiation monitor*, Proceedings of Science (PoS) 2014.9
2. **Y. Zhou**, J. Baudot, C. Duverger, Ch. Hu-Guo, Y. Hu and M. Winter, CMOS Pixel Sensor for a Space Radiation Monitor with very low cost, power and mass, 2012 JINST 7 C12003.

Communications:

1. **Y. Zhou**, J. Baudot, Ch. Hu-Guo, Y. Hu, K. Jaaskelainen and M. Winter. *COMETH: a CMOS pixel sensor for a highly miniaturized high-flux radiation monitor*, **Oral presentation** at the Technology and Instrumentation in Particle Physics (TIPP) conference 2014, 2-6 June, Amsterdam, Holland.
2. **Y. Zhou**, J. Baudot, C. Duverger, Ch. Hu-Guo, Y. Hu and M. Winter, *Development of a CMOS Pixel Sensor for Space Radiation Monitor*, **Poster** at l'école IN2P3 de microélectronique 2013, 24-27 June 2013. Porquerolles, France.
3. **Y. Zhou**, J. Baudot, C. Duverger, Ch. Hu-Guo, Y. Hu and M. Winter. *CMOS Pixel Sensor for a Space Radiation Monitor with very low cost, power and mass*, **Oral presentation** at the 14TH International Workshop on Radiation Imaging Detectors (IWORID2012), 1-5 July 2012. Figueira da Foz, Coimbra, Portugal.

Abstract

This thesis focuses on the development of a CMOS monolithic pixel sensor used for space ionizing particles identification and counting in high flux. A new concept for single particle identification is proposed in this study, which is based on the analysis of particle triggered clusters. To validate this new concept, a full size sensor including the sensitive pixel matrix, an analogue signal processing chain, a 3-bit analogue to digital converter, and a digital processing stage was designed in a 0.35 μm process. The sensor directly output particles flux information through 4 channels with a very low data rate (80 bps) and minimal power dissipation ($\sim 100\text{mW}$). Each channel represents particles with different species and energies. The highest measurable flux density is up to 10^8 particles/cm²/s (hits pile up $< 5\%$). A reduced scale prototype was fabricated and tested with 3 types of radiation illumination (X-ray, electrons and infrared laser). All the results obtained validate the proposed new concept and a highly miniaturized space radiation monitor based on a single CMOS pixel sensor could be foreseen. The monitor could provide measurements of comparable or better quality than existing instruments, but at around an order of magnitude lower power consumption, mass and volume and a lower unit cost. Moreover, due to its high level and low data rate outputs, no signal treatment power aside the sensor is required which makes it especially attractive for small satellite application.

Keywords: Highly miniaturized space radiation monitor, CMOS pixel sensor (CPS), Application Specific Integrated Circuit (ASIC), Partical identification and counting.

Résumé

Cette thèse porte sur le développement d'un capteur de pixel monolithique CMOS utilisé pour l'identification et le comptage des particules ionisées dans l'espace avec un flux élevé. Un nouveau concept pour l'identification de l'espèce des particules proposé dans la présente étude, est basé sur l'analyse des amas de particules déclenchés. Pour valider ce nouveau concept, un capteur de taille complet, qui comprend la matrice de pixel sensible aux particules ionisées signal, une chaîne de traitement du signal analogique, un convertisseur analogique numérique de 3 bits, et un traitement du signal numérique a été conçu dans un processus de 0.35 μm . Le capteur sortie directement des informations de flux à travers 4 canaux avec un débit de données très faible (80 bps) et dissipation d'énergie minimale (~ 100 mW). Chaque canal représente particules avec différentes espèces et les énergies. La densité maximum de flux mesurable est jusqu'à 10^8 particules/cm²/s (coups s'accumulent < 5%). Un prototype à échelle réduite a été fabriqué et testé avec trois types d'illumination de rayonnement (rayons X, les électrons et laser infrarouge). Tous les résultats obtenus valident le nouveau concept proposé. Un moniteur de rayonnement spatial très miniaturisé basé sur un capteur de pixel CMOS peut être prévu. Le moniteur peut présenter les mêmes performances que les compteurs actuels, mais avec une dissipation de puissance réduite d'un ordre de grandeur qu'un poids, un volume d'encombrement et un coût moindre. En outre, en raison de ses sorties de haut niveau et faible débit de données, aucune traitement supplémentaire du signal dehors du capteur est nécessaire, ce qui le rend particulièrement attrayant pour des applications dans les petits satellites.

Mots-clés: Très miniaturisé moniteur de rayonnement dans l'espace, CPS (CMOS pixel sensor), ASIC (Application Specific Integrated Circuit), l'identification et le comptage Partical.